



**FEDERAL SIGNAL**  
Safety and Security Systems

**Model MP5M6-LPV2  
Adjustable Mounting Kit  
for MicroPulse®**

---

***Installation Instructions***

## Limited Warranty

This product is subject to and covered by a limited warranty, a copy of which can be found at [www.fedsig.com/SSG-Warranty](http://www.fedsig.com/SSG-Warranty). A copy of this limited warranty can also be obtained by written request to Federal Signal Corporation, 2645 Federal Signal Drive, University Park, IL 60484, email to [info@fedsig.com](mailto:info@fedsig.com) or call +1 708-534-3400.

This limited warranty is in lieu of all other warranties, express or implied, contractual or statutory, including, but not limited to the warranty of merchantability, warranty of fitness for a particular purpose and any warranty against failure of its essential purpose.



**FEDERAL SIGNAL**  
Safety and Security Systems

2645 Federal Signal Drive  
University Park, Illinois 60484

[www.fedsig.com](http://www.fedsig.com)

Customer Support

Police/Fire-EMS: 800-264-3578 • +1 708 534-3400

Work Truck: 800-824-0254 • +1 708 534-3400

Technical Support 800-433-9132 • +1 708 534-3400

© 2019 Federal Signal Corporation

TAPTITE is a trademark of RESEARCH ENGINEERING &  
MANUFACTURING, INC.

## **Safety Message to Installers of Warning Light Equipment**

### **⚠ WARNING**

People's lives depend on your proper installation and servicing of Federal Signal products. It is important to read and follow all instructions shipped with this product and the original product. Listed below are some other important safety instructions and precautions you should follow:

- To properly install the lighting system, you must have a good understanding of automotive systems, along with proficiency in the installation and use of safety warning equipment.
- Do not install equipment or route wiring in the deployment path of an airbag.
- If a vehicle seat is temporarily removed, verify with the vehicle manufacturer if the seat needs to be recalibrated for proper airbag deployment.
- You should frequently inspect the light system to ensure that it is operating properly and that it is securely attached to the vehicle.
- When drilling into a vehicle structure, be sure that both sides of the surface are clear of anything that could be damaged.
- Refer to the instructions packed with related products for additional precautions and information.
- File these instructions in a safe place and refer to them when maintaining and/or reinstalling the product.
- Do not stare directly into the lights at a close range, or permanent damage to your eyesight may occur.

Failure to follow all safety precautions and instructions may result in property damage, serious injury, or death.

## ***Installation Instructions for MicroPulse Mounting Kit***

---

### **Unpacking the Kit**

After unpacking the product, inspect it for damage that may have occurred in transit. If it has been damaged or is missing a part, do not attempt to install or operate it. File a claim immediately with the carrier, stating the extent of the damage. Carefully check all envelopes, shipping labels and tags before removing or destroying them. Ensure that all parts in Table 1 have been included. If you are missing any parts, contact Customer Support at 1-800-264-3578, 7 a.m. to 5 p.m., Monday through Friday (CT).

### **Introduction**

This publication has instructions for using the Adjustable License Plate Mounting Kit to mount the MPS600U lighthouse to the license plate area of many vehicles. The assembled unit is 6-3/4 inches high by 18-3/4 inches wide.

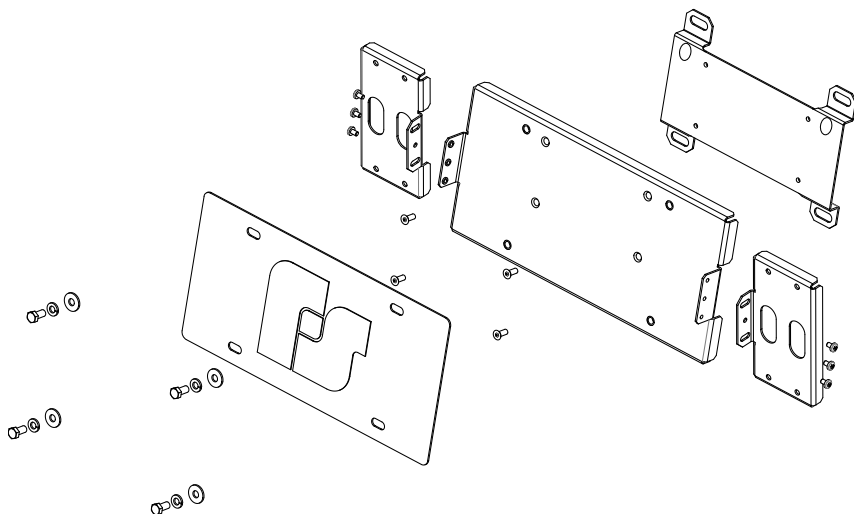
**NOTE:** For electrical installation instructions, refer to the Installation and Maintenance Instructions packed with the lighthouse.

**Table 1** Kit Contents

<b>Qty.</b>	<b>Description</b>	<b>Part Number</b>
4	1/4"-20 Hex Head Stainless Steel Machine Screw	7000A311-08
8	6-32, Pan Head Phillips Stainless Steel Machine Screw	7000491-08
6	8-32 6-Lobe Pan Head TAPTITE Screw	7011163-04
4	#10 Type B Black Stainless Steel Flat Head, 6-Lobe Screw	7011248-08
8	6-32 Stainless Steel Keps Nut	7058A046
4	1/4-inch Flat Stainless Steel Washer	7072A024
4	1/4-inch Stainless Steel Split Lock Washer	7074A016
1	Low License Plate Bracket Assembly MPASM6-LPV2	861303105
2	MPS MNT Dual Licence Plate Bracket MPASM6-LPV1	861302682
1	Hat License Plate Bracket Plate MPASM6-LPV2	861303106

## Installation Instructions for MicroPulse Mounting Kit

Figure 1 Exploded view of the MPMS6-LPV2 kit installation



### Installing the Kit

#### **⚠ WARNING**

**AIRBAG DEPLOYMENT:** Do not install or route wiring in the deployment path of an airbag. Failure to observe this warning will reduce the effectiveness of the airbag or potentially dislodge the equipment, causing serious injury or death.

#### **NOTICE**

**DRILLING PRECAUTIONS:** Before drilling holes, check the area you are drilling into to be sure that you do not damage vehicle components. All drilled holes should be de-burred, and all sharp edges should be smoothed. All wire routings going through drilled holes should be protected by a grommet or convolute/split loom tubing.

#### **NOTICE**

**THREAD DAMAGE AND GALLING:** To prevent thread damage and galling, anti-seize must be used on all stainless steel fasteners.

**IMPORTANT:** Plan all cable routing before the installation.

## ***Installation Instructions for MicroPulse Mounting Kit***

---

To mount the bracket:

- 1.** Remove the license plate mounting hardware, license plate, and bracket from the vehicle.
- 2.** Mount the hat bracket to the vehicle with the factory license plate hardware removed in Step 1. For the most secure mounting, install hardware at all four positions.
- 3.** Loosely assemble the MPS mounting brackets to the license plate bracket with the six 8-32 pan head screws.
- 4.** Hold the assembly to the hat bracket and adjust the MPS brackets to the desired angle, and then tighten the screws. Do not over-tighten.
- 5.** Use the 6-32 screws and Keps nuts included with the kit to attach the light heads to the brackets.
- 6.** Secure the assembly to the hat bracket with the four #10 flat head screws.
- 7.** Mount the license plate with the supplied 1/4-inch screws, washers, and lockwashers.

### **WARNING**

***LIGHT HAZARD: To be an effective warning device, an emergency warning system produces bright light that can be hazardous to your eyesight when viewed at close range. Do not stare directly into the lights at a close range or permanent damage to your eyesight may occur.***

- 8.** Test the lights for proper operation.

## **Getting Technical Support and Service**

For technical support and service, please contact:

Service Department  
Federal Signal Corporation  
Phone: 1-800-433-9132  
Email: [empserviceinfo@fedsig.com](mailto:empserviceinfo@fedsig.com)

## **Getting Repair Service**

The Federal Signal factory provides technical assistance with any problems that cannot be handled locally.

Any units returned to Federal Signal for service, inspection, or repair must be accompanied by a Return Material Authorization (RMA). Obtain a RMA from a local Distributor or Manufacturer's Representative.

Provide a brief explanation of the service requested, or the nature of the malfunction.

Address all communications and shipments to the following:

Federal Signal Corporation  
Service Department  
2645 Federal Signal Drive  
University Park, IL 60484-3167

## **Ordering Replacement Parts**

To order replacement parts, call Customer Support at 1-800-264-3578, 7 a.m. to 5 p.m., Monday through Friday (CT) or contact your nearest distributor.



**FEDERAL SIGNAL**  
Safety and Security Systems

2645 Federal Signal Drive  
University Park, Illinois 60484

[www.fedsig.com](http://www.fedsig.com)

Customer Support

Police/Fire-EMS: 800-264-3578 • +1 708 534-3400

Work Truck: 800-824-0254 • +1 708 534-3400

Technical Support 800-433-9132 • +1 708 534-3400