

► Model L

General Alarm Electro-Mechanical Siren



Model L is a general-purpose, electro-mechanical siren that produces a distinctive sound and tonal quality for industrial applications. It has a low maximum pitch, which provides excellent contrast to industrial ambient noise. Introduced in 1946, Model L is still used today in many rugged and extreme environments and applications.

The fractional horsepower motor on Model L drives a ported aluminum rotor within the specially designed stator to produce a unique sound.

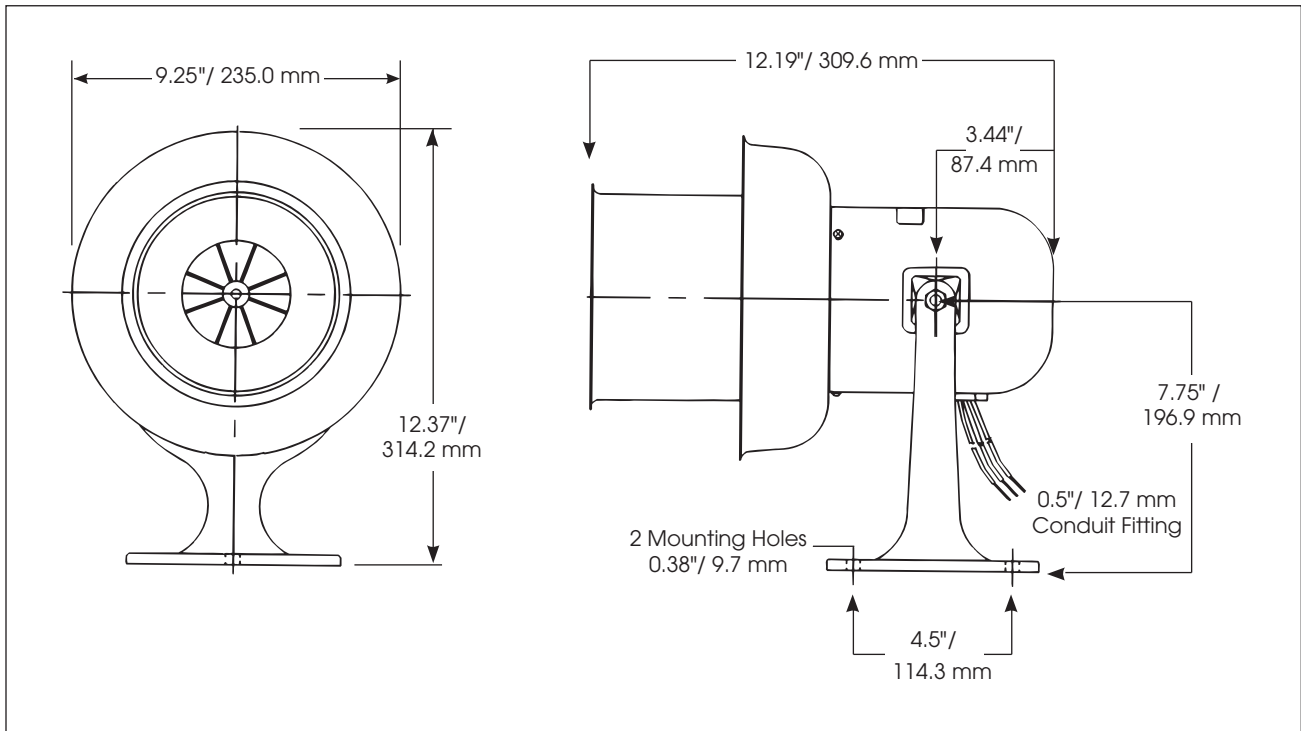
Model L's metal housing is sealed with red powder coat for an attractive appearance and superior corrosion resistance. The swivel mount bracket accommodates wall and surface mount installations.

FEATURES

- Range of up to 200 feet
- Coded or sustained tones
- Available in – 120 and 240 Vac/dc
- Produces 112 dBa at 10' (122 dBa at 1 m)
- Type 3R enclosure
- Wall or surface mount via the integrated swivel bracket

MODEL	VOLTAGE	OPERATING CURRENT	DECIBELS		FREQUENCY
			10'	1 M	
L-120	120 Vac/dc	1.95 A	112	122	700 Hz
L-240	240 Vac/dc	1.0 A	112	122	700 Hz

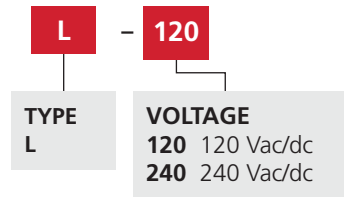
General Alarm Electro-Mechanical Siren (L)



SPECIFICATIONS

Duty Cycle:	5 minutes on/5 minutes off
Voltages:	120 Vac/dc or 240 Vac/dc
Motor:	Universal
Net Weight:	12.0 lb (5.4 kg)
Shipping Weight:	14.2 lb (6.4 kg)
Width:	9.25 in (235.0 mm)
Length:	12.19 in (309.6 mm)
Height:	12.37 in (314.2 mm)

HOW TO ORDER



REPLACEMENT PARTS

Description	Part Number
Motor Service Kit – 120 Vac/dc	K82831051A
Motor Service Kit – 240 Vac/250 Vdc	K8283A700
Brush and Spring Service Part Kit, L-120, L-240	K8283A689