



► Model 300GC

## SelecTone® 15W Amplified Speaker

Model 300GC SelecTone® Amplified Speaker is designed to produce crisp, clear tones, digital voice messages and live public address in harsh environments with high ambient noise levels.

The internal circuitry, tone module, and gain control are contained in a housing constructed of die-cast aluminum. All surfaces are sealed with powder-coat paint. Dust- and moisture-proof gaskets provide protection from the elements.

SelecTone Amplified Speakers are used individually or as part of a plant-wide emergency notification system. The Model UTM Universal Tone Module, with 32 tones, or the TM33-SD Custom Tone Module is plugged into a single SelecTone Amplified Speaker for stand-alone use or into a SelecTone Command Unit for plant-wide signaling.

For plant-wide signaling, a Connector Kit is installed into each SelecTone Amplified Speaker and wired to a central controller. SelecTone Command Units and CommCenter® Digital Message Centers broadcast tones, voice messages, melodies and live public address to an unlimited number of SelecTone Amplified Speakers.

Typical applications for SelecTone include emergency warning, plant evacuation, start and dismissal, public address, and process control signaling.

### FEATURES

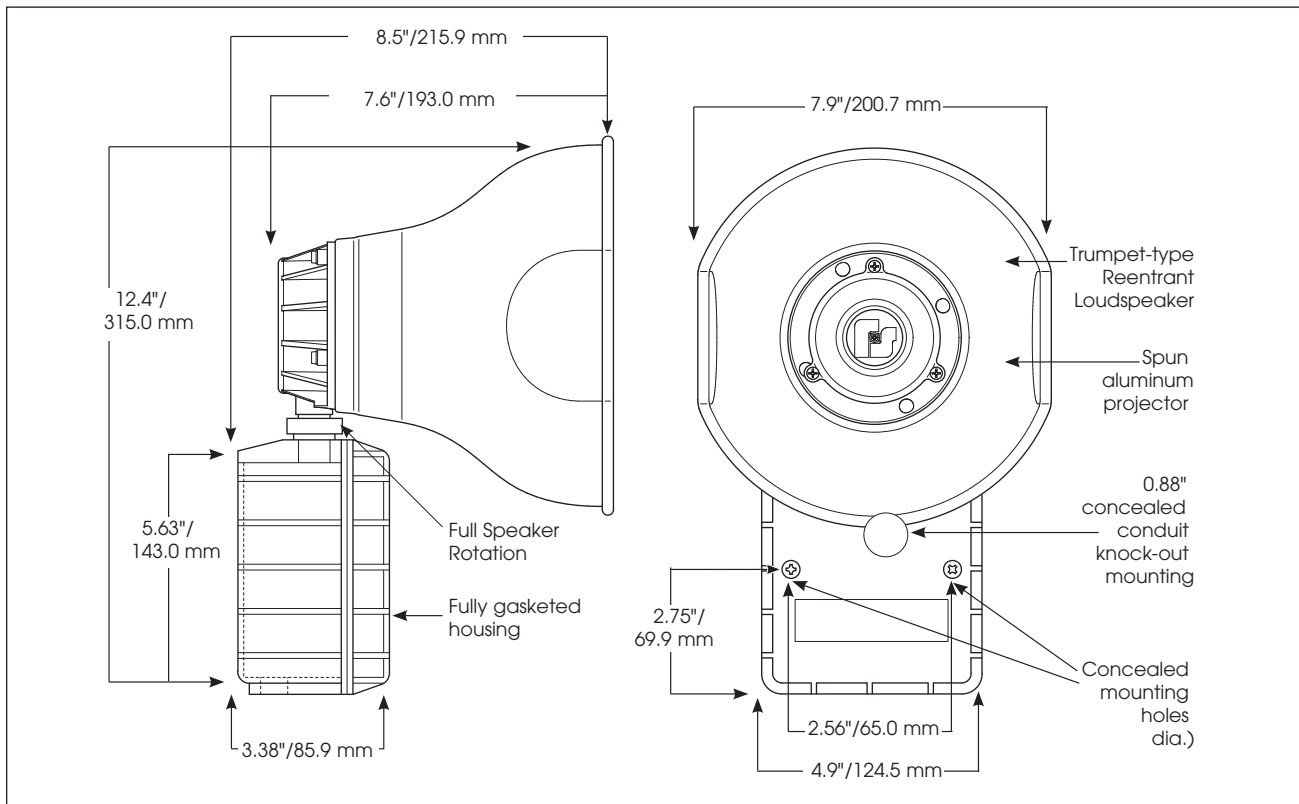
- Available in 24VAC/DC, 120VAC and 240VAC
- Built-in gain control, adjustable between 0 dBa to 110 dBa @ 10' (0 dBa to 120 dBa @ 1m)
- Cast copper free aluminum housing, spun aluminum projector
- Digital signal amplification
- Fused input & output
- Indoor or outdoor use
- Type 3R, IP54 enclosure
- UL 1480 and CSFM Approved
- UL and cUL Listed

| MODEL              | VOLTAGE        | OPERATING CURRENT | STANDBY CURRENT** | DECIBELS |     |
|--------------------|----------------|-------------------|-------------------|----------|-----|
|                    |                |                   |                   | 10'      | 1M  |
| <b>300GC-024-*</b> | 24VDC          | 1.0 amps          | 50 mA             | 110      | 120 |
|                    | 24VAC 50/60Hz  | 1.0 amps          | 100 mA            | 110      | 120 |
| <b>300GC-120-*</b> | 120VAC 50/60Hz | 0.25 amps         | 30 mA             | 110      | 120 |
| <b>300GC-240-*</b> | 240VAC 50/60Hz | 0.15 amps         | 15 mA             | 110      | 120 |

\* Indicates housing color: (-B) for Black housing, leave blank for Gray

\*\* When used as a powered loud speaker

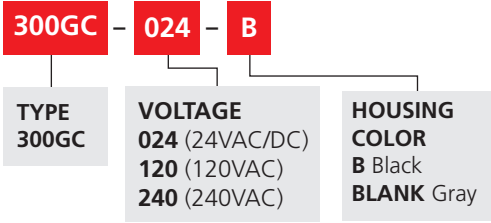
## SelecTone® 15W Amplified Speaker (300GC)



### SPECIFICATIONS

|                        |                |               |
|------------------------|----------------|---------------|
| Operating Temperature: | -67°F to 150°F | -55°C to 66°C |
| Rated Power:           |                | 15 watt       |
| Net Weight:            |                |               |
| 24VAC/DC               | 5.5 lbs        | 2.5 kg        |
| 120/240VAC             | 5.5 lbs        | 2.5 kg        |
| Shipping Weight:       |                |               |
| 24VAC/DC               | 6.7 lbs        | 3.0 kg        |
| 120/240VAC             | 6.7 lbs        | 3.0 kg        |
| Height:                | 12.4"          | 315.0 mm      |
| Width:                 | 7.9"           | 200.7 mm      |
| Depth:                 | 8.5"           | 215.9 mm      |

### HOW TO ORDER



- Select Model**
- Select Required Accessory (sold separately)**
  - For stand alone operation, select Tone Module:
    - UTM** – Universal Tone Module (Reference page 199 for list of tones)
    - TM33-SD** – Custom Tone Module (Reference page 201 for list of tones)
  - For use in systems\*, select Connector Kit. (Reference page 202 for Connector Kits)
    - AM25CK** – 25 Vrms, 1 Vrms
    - AM70CK** – 70 Vrms, 1 Vrms
    - 300CK** – 10 Vrms, 1 Vrms
    - T-300CK** – 2.7 Vrms, 1 Vrms
    - E-300CK** – 1 Vrms, 1 Vrms

\*Call factory for design assistance

### REPLACEMENT PARTS

| Description                 | Part Number  |
|-----------------------------|--------------|
| PCBA, 15W, 24V AC/DC        | K2001961B-05 |
| PCBA, 15W, 120/240V AC      | K2001961B-04 |
| XFMR, 15W, 120V AC, 1.3 AMP | K120857A     |
| XFMR, 15W, 240V AC, 1.3 AMP | K120858A     |
| AMPLIFIER ASSEMBLY, 15W     | K2005502A-04 |
| SPEAKER ASSEMBLY, 15W       | K8593082A    |
| VOICE COIL, 15W             | K8593035A    |
| GASKET                      | K288A043     |
| HOUSING, 15W, GRAY          | K8473021A    |
| COVER, GRAY                 | K8473022A    |