



PF200R shown with 1/4" jack microphone plug option (sold separately)

## ▶ Pathfinder™ | Siren and Light Controller

### FEATURES

- 100/200 W siren and light controller with PA and noise-canceling microphone
- 4-position progressive slide switch; 7-position rotary switch and (9) push-buttons
- Built-in dual tone capability
- Built-in Rumbler® intersection clearing capability
- Optional FS Vehicle Integration and On-Board Diagnostics Integration (OBDII)
- Programmable timer feature
- Speaker diagnostic LEDs
- Siren tones, PA, Radio Rebroadcast and Air Horn
- Library of selectable siren tones includes SmartSiren®, Unitrol™, and Powercall siren tones
- Horn Ring Transfer and Park Kill
- Backlit LEDs on control faceplate emulate SignalMaster™ directional warning operation
- (7) programmable inputs and (12) programmable solid-state relay outputs
- FS Convergence Network Configuration Software allows for easy customization of siren and light controls
- (2) FS Convergence Network ports
- Dual color (Red/Blue) backlit push-buttons
- Five-year warranty

### APPROVALS

- Meets or exceeds SAE, California Title 13, and NFPA requirements

Pathfinder is a compact, programmable siren and light controller available with self-contained controls or remote surface mount control head. Pathfinder is packed with features such as dual-tone and integrated Rumbler intersection clearing capability along with optional Federal Signal Vehicle Integration/On-Board Diagnostics (OBDII) integration. Pathfinder is easy to install and incorporates Convergence Network Configuration Software to provide a high-level of customizable control capability. All new programming software is available as a download from the Federal Signal website making it easy to program one vehicle –or an entire fleet–from your laptop.

## Controller Features

Pathfinder provides the user with customized control of the siren, warning lights, directional lights, and other accessories. The control faceplate includes a four-position progressive slide switch, seven-position rotary switch and (9) backlit push-buttons. The dual color programmable push-buttons turn brighter when activated and can be programmed for press-on, press-off and momentary. The button brightness can be dimmed or turned-off for stealth operation. Over (100) labeling stickers, such as alley, gun lock and wail allow for further customization of the control head.



PF200R shown with 1/4" jack microphone plug option (sold separately)

Pathfinder can control the SignalMaster™ directional functions in light bars, ILS systems and "stick" lights that are compatible with FS Convergence Network as well as Latitude™ 3-wire SignalMaster. For convenient visual reference, the Pathfinder emulates the selected pattern of the SignalMaster operation.

Pathfinder also includes (2) programmable speaker diagnostic LEDs on the faceplate that default to Off when speakers are enabled.

The noise-canceling microphone that is included with the remote control head uses a RJ11 connector to plug directly into the control head, eliminating the need to run a mic cable back to the amplifier. For increased versatility the amplifier offers a 1/4" jack microphone plug option (1/4" jack microphone and remote extension kit sold separately).

## Amplifier Features

Pathfinder default siren tones include Wail, Yelp, Priority, Manual/Peak-and-Hold, Hi-Lo, Powercall, and Air Horn. A library of other selectable siren tones are available including Unitor™ branded siren tones such as Wail, Yelp, Futura, Hi-Lo, Ultra Hi-Lo, Alarm, Air Horn, and Hetro. PA, radio rebroadcast, and Air Horn are standard in the Pathfinder. Pathfinder also includes (2) serial ports to be used with the FS Convergence Network devices such as light bars or directional warning lights for easy "plug-n-play" installation.

Other amplifier features include horn ring transfer (TAPII, Timer or Hands Free), Park, Ignition, and (4) general purpose inputs for trunk/door release, gun lock, intrusion alarms and monitoring K9 temperature systems. The polarity of each input is programmable except for ignition.



Programmable speaker diagnostic LEDs



Dual color programmable push-buttons

## Timer Feature

The Pathfinder built-in timer feature senses ignition ON/OFF and allows the selection of multiple time settings. Various devices can be wired to relay outputs on the Pathfinder amplifier (such as in-car video DVRs, radios, and laptop chargers), and a security shotgun timer is provided to minimize the possibility of unauthorized shotgun release. Pathfinder timer feature allows the end user to avoid the extra cost of an external timer per vehicle by allowing each device to be turned off at a different time, unlike many one setting external timers used by departments.



SignalMaster™ indicator LEDs



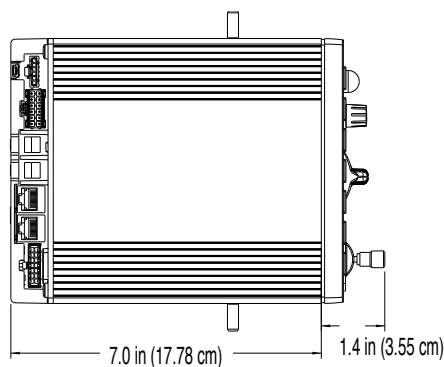
## HOW TO ORDER

PF200	Siren/Light Controller with self-contained controls, 100/200 W, OBDII integration capability, integrated Rumbler® capability, and integrated dual tone capability
PF200R	Siren/Light Controller with Remote surface mount controller, 100/200 W, OBDII integration capability, integrated Rumbler® capability, and integrated dual tone capability

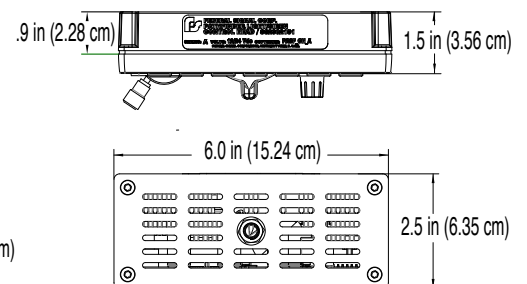
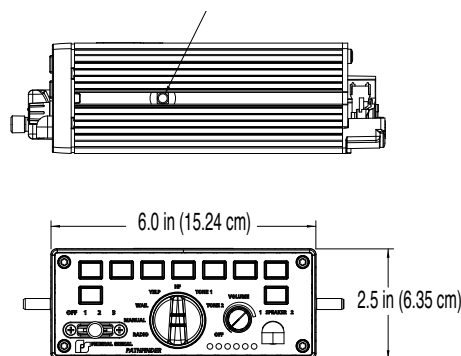
### Accessories

RUMBLER-3-PF	Siren Amp, Rumbler, secondary warning system, 12 VDC, low frequency tones, hardware kit, housing bands and cradles. Used with PF200 to utilize dual tone and Rumbler capabilities
RBKIT1*	Single Rumbler woofer
RBKIT2*	Pair of Rumbler woofers
OBDCABLE6-1	6-ft OBDII interface cable, for use on 2018 Chevrolet Tahoe, 2018 Ford Police Interceptor Utility, 2018 Ford F-150 and 2018 Ford Interceptor Sedan
OBDCABLE25-1	25-ft OBDII interface cable, for use on 2018 Chevrolet Tahoe, 2018 Ford Police Interceptor Utility, 2018 Ford F-150 and 2018 Ford Interceptor Sedan
OBDCABLE6-DGCAN	6-ft OBDII interface cable, for use on 2018 Dodge Charger Pursuit and 2018 Dodge Durango
OBDCABLE25-DGCAN	25-ft OBDII interface cable, for use on 2018 Dodge Charger Pursuit and 2018 Dodge Durango
MNCT-SD	¼" jack microphone
RMK	Remote extension kit for ¼" jack microphone

\*Vehicle specific Rumbler brackets sold separately



### Pathfinder Dimensions



Pathfinder, Rumbler, Unicontrol, Latitude and SignalMaster are registered trademarks of Federal Signal Corporation.

## SPECIFICATIONS

### Specifications

	PF200	PF200R
Input Voltage	12/24 VDC	
Standby Current	Less than 0.1 A	
Operating Temperature	-40°C to +80°C	

### Physical Specifications

Height	2.5 in (6.4 cm)	
Width	6.0 in (15.2 cm)	
Depth	8.4 in (21.3 cm)	1.5 in (3.5 cm) Remote control head

### Ship Weight

3.9 lbs (1.8 kg)

### Top View of PF200



Ford, Chevrolet, and Dodge are all trademarks of their respective owners.

©2018 Federal Signal Corporation. M9051 | 1218