

Renegade®

LED Beacon



FEATURES

- Compact LED beacon
- Reverse polarity protection
- O-ring gasket seals out moisture
- Vibration resistant design
- (1) flash pattern
- Multi-voltage, 12-110 Vdc
- Three-year warranty

Renegade® LED beacon produces a superior warning signal to promote roadside safety. This beacon offers an effective warning signal that is ideal for a variety of applications including forklifts, utility trucks, construction vehicles, and volunteer fire vehicles. The LED technology in the Renegade LED allows for a minimal amp draw of less than 0.2 Amps which helps reduce the pull on the vehicle's electrical system.

Renegade LED beacon offers (1) flash pattern. The shatterproof, polycarbonate dome and base include an o-ring to help protect against moisture. Renegade LED beacon meets SAE J845 Class 2 specifications and is available in permanent and magnet mount.

APPROVAL

- SAE J845 Class 2

HOW TO ORDER

LED Color Dome Color
A R A R

PERMANENT MOUNT

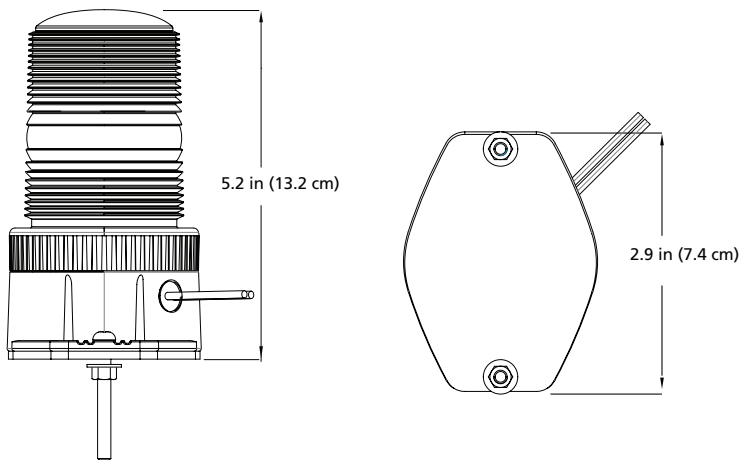
462250-02 Amber LEDs, Amber dome
 462250-04 Red LEDs, Red dome

MAGNET MOUNT, ACCESSORY PLUG

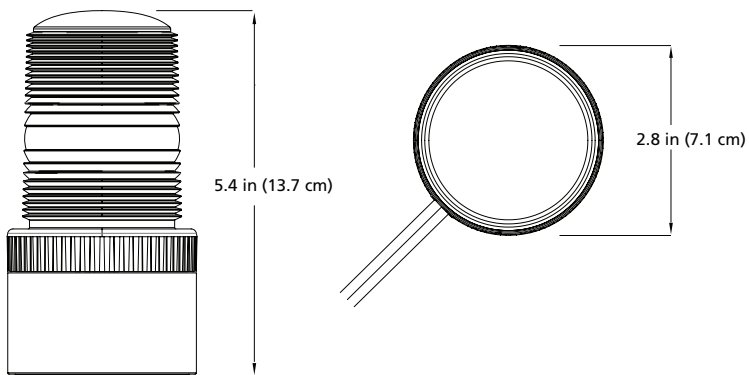
462260-02 Amber LEDs, Amber dome
 462260-04 Red LEDs, Red dome

SPECIFICATIONS

	PERMANENT MOUNT	MAGNET MOUNT
OPERATING VOLTAGE	12-110 Vdc	
CURRENT DRAW	0.2 A @ 12.8 Vdc 0.07 A @ 110 Vdc	
FLASH PATTERN	1	
OPERATING TEMP	-22° to +149° F (-30° to +65° C)	
PHYSICAL SPECIFICATIONS		
HEIGHT	5.2 in (13.2 cm)	5.4 in (13.7 cm)
DIAMETER	2.9 in (7.4 cm)	2.8 in (7.1 cm)
SHIP WEIGHT	0.7 lb (0.3 kg)	1.2 lb (0.5kg)



Permanent Mount



Magnet Mount



Renegade is a trademark of Federal Signal Corporation.