

25500760 Rev. A0 1121

Safety Message to Installers and Service Personnel

⚠ WARNING

People's lives depend on your proper installation and servicing of Federal Signal products. It is important to read and follow all instructions shipped with this product. Listed below are some other important safety instructions and precautions you should follow.

- To properly install or service this equipment, you must have a good understanding of automotive mechanical and electrical procedures and systems, along with proficiency in the installation and service of safety warning equipment. Always refer to the vehicle's service manuals when performing equipment installations on a vehicle.
- To be an effective warning device, this product produces bright light that can be hazardous to your eyesight when viewed at a close range. Do not stare directly into this lighting product at a close range, or permanent damage to your eyesight may occur.
- Do not install the light system in an area that would block, impair, or blind the driver's vision. Ensure that the light system is mounted in a position that is outside the driver's field of vision so the driver can safely operate the vehicle.
- A light system is a high current system. For the system to function properly, a separate negative (–) connection and positive (+) connection must be made. All negative connections should be connected to the negative battery terminal, and a suitable fuse should be installed on the positive battery terminal connection as close to the battery as possible. Ensure that all wires and fuses are rated correctly to handle the device and system amperage requirements.
- Because vehicle roof construction and driving conditions vary, do not drive a vehicle with a magnetically mounted warning light installed. The light could fly off the vehicle, causing injury or damage. Repair of damage incurred because of ignoring this warning shall be the sole responsibility of the user.

- After installation and testing are complete, provide a copy of these instructions to instructional staff and all operating personnel.
- File these instructions in a safe place and refer to them when maintaining and/or reinstalling the product. Failure to follow all safety precautions and instructions may result in property damage, serious injury, or death.

Unpacking the Kit

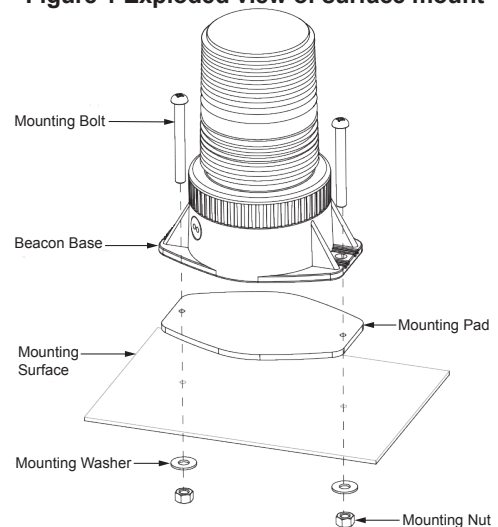
After unpacking the kit, inspect it for damage that may have occurred in transit. If it has been damaged, do not attempt to install or operate it. File a claim immediately with the carrier, stating the extent of the damage. Carefully check all envelopes, shipping labels, and tags before removing or destroying them. If you are missing any parts, contact Customer Support at 1-800-264-3578, 7 a.m. to 5 p.m., Monday through Friday (CT).

Surface Mounting the LED Beacon

To surface mount the beacon:

1. Mark drilling locations using the mounting pad as a template.

Figure 1 Exploded view of surface mount



NOTICE

DRILLING PRECAUTIONS: Before drilling holes, check the area into which you plan to drill to ensure that you do not damage vehicle components while drilling. All drilled holes should be deburred, and all sharp edges should be smoothed. All wires going through drilled holes should be protected by a grommet or convolute/split-loom tubing.

2. Drill 7/32-inch (5.5 mm) holes at the scribed positions.
3. Align the beacon over the drilled holes.
4. Secure the base to the mounting surface with the mounting bolts, washers, and nuts.

Wiring the LED Beacon

⚠ WARNING

SHOCK HAZARD: Do not connect the unit to the system while the power is on. Failure to heed this warning may cause serious injury or death.

⚠ WARNING

EXPLOSION HAZARD: To avoid a battery explosion, always disconnect the negative battery cable first and reconnect it last. Avoid causing a spark when connecting near or to the battery. The gases produced by a battery can cause a battery explosion that could result in vehicle damage and serious injury.

To wire the beacon:

1. Connect the red wire to +Vdc.
2. Connect the black wire to the chassis ground (-).

Magnetically Mounting the LED Beacon

⚠ WARNING

DO NOT DRIVE WITH MAGNETICALLY-MOUNTED BEACON INSTALLED: Because vehicle roof construction and driving conditions vary, do not drive a vehicle with a magnetically-mounted beacon installed. The beacon could fly off the vehicle, causing injury or damage. Repair of damage incurred because of ignoring this warning shall be the sole responsibility of the user.

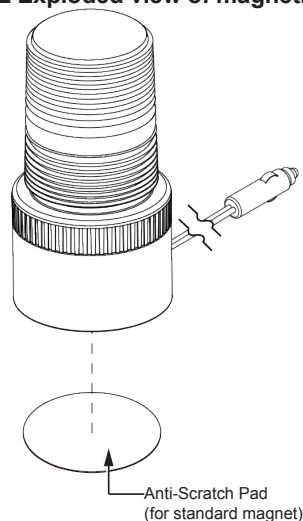
The holding power of magnetic mounting systems depends on the surface finish, surface flatness, and thickness of the steel mounting surface. Therefore, to promote proper magnetic mounting:

- Keep the mounting surface and magnets clean, dry, and free of foreign particles that prevent good surface contact.
- Ensure that the mounting surface is flat.
- Do not use a magnetic mounting system on vehicles with vinyl tops.
- To prevent the sliding of the beacon on the mounting surface, avoid quick acceleration and hard stops.

To temporarily mount the beacon to a vehicle with magnetic mounting:

1. Place the beacon on the vehicle roof at a location that provides maximum signaling effectiveness for your application.
2. To operate the magnet-mounted beacon, insert the plug at the end of the cable assembly into the 12-volt power outlet socket.

Figure 2 Exploded view of magnetic mount



FEDERAL SIGNAL
Safety and Security Systems
2645 Federal Signal Drive
University Park, Illinois 60484-3167

www.fedsig.com

Customer Support

Police/Fire-EMS: 800-264-3578 • +1 708 534-3400

Work Truck: 800-824-0254 • +1 708 534-3400

Technical Support: 800-433-9132 • +1 708 534-3400

© Copyright 2021 Federal Signal Corporation

All product names or trademarks are properties of their respective owners.