



► Models LP57

StreamLine® Mini LED Beacon Series

Model LP57 is available as a single-color or multicolor LED light that is ideal for applications requiring low-profile signaling. Single-color models are steady burn and available in five colors. Multicolor models feature a single flash pattern and offer seven color options in one device.

All LP57 models have clear, opaque lenses for signaling in close proximities. The LP57 enclosure is rated Type 4X and offers a self-extinguishing polycarbonate housing that protects against vibrations, dust, and atmospheric elements. Each model features either an M12 Cable Gland with 12-inch (300 mm) leads or M12 4-Pin Quick Connect.



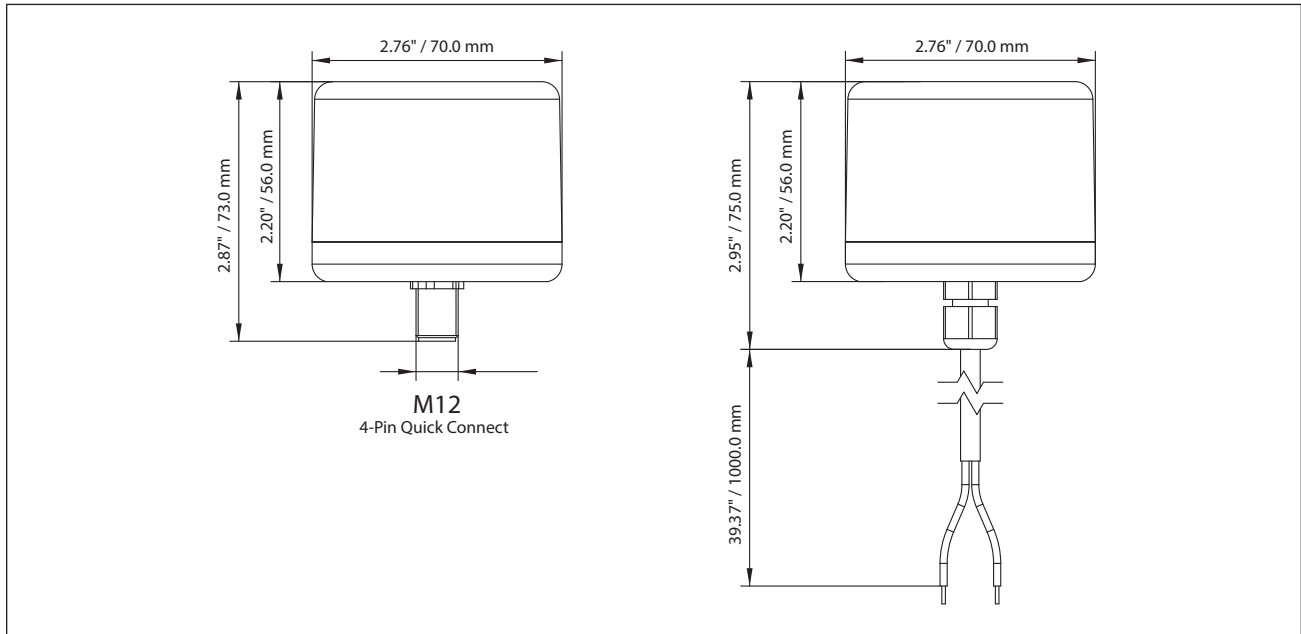
FEATURES

- Available in 24 Vdc
- Choice of M12 Cable Gland or M12 Quick Connect
- 100,000-hour LED
- Single-color models are steady burn and available in five colors (Amber, Blue, Green, Red, and White)
- Multicolor models feature a single flash pattern and offer seven color options in one device (Amber, Blue, Cyan, Green, Magenta, Red, and White)
- Self-extinguishing polycarbonate housing
- Type 4X, IP66 enclosure
- IP69K compliant
- CE and UKCA compliant
- UL and cUL Listed

	VOLTAGE	LENS	FLASH RATE/MINUTE (1X FLASH)	MAXIMUM OPERATING CURRENT (mA)
LP57-024*	24 Vdc	Opaque	NA	40
LP57-024*-Q	24 Vdc	Opaque	NA	40
LP57-024RGB-F	24 Vdc	Opaque	120 (+/- 10)	80
LP57-024RGB-F-Q	24 Vdc	Opaque	120 (+/- 10)	80

* Indicates color: (A) Amber, (B) Blue, (C) Clear, (G) Green, or (R) Red

StreamLine® Mini LED Beacon Series (LP57)



SPECIFICATIONS

Lamp Life: 100,000 Hours
 Light Source: LED
 Operating Temperature: -22° to 122°F (-30° to 50°C)

M12 Cable Gland

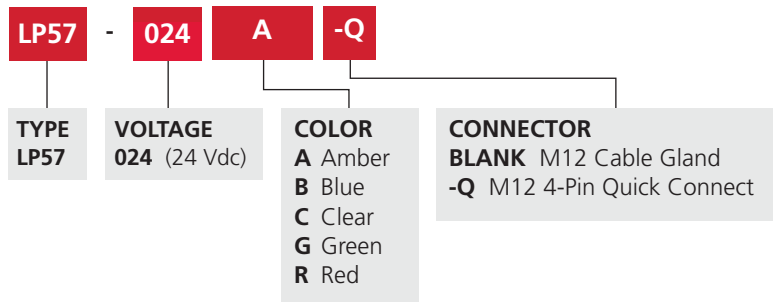
Net Weight: 0.19 lb (0.08 kg)
 Shipping Weight: 0.50 lb (0.23 kg)
 Height: 2.20 in (56 mm)
 Height- above surface: 2.95 in (56 mm)
 Length: 2.76 in (70 mm)

M12 Quick Connect

Net Weight: 0.31 lb (0.14 kg)
 Shipping Weight: 0.50 lb (0.23 kg)
 Height: 2.20 in (56 mm)
 Height- above surface: 2.87 in (73 mm)
 Length: 2.76 in (70 mm)

HOW TO ORDER

Single Color Steady Burn Models



Multicolor Flash Models **RGB-F** Multicolor Flash