



FEDERAL SIGNAL
Safety and Security Systems

QuadraFlare

Model QL73LEDSCENE

7x3 LED Scene Light

Installation and Maintenance Instructions

Contents

Safety Messages to Installers	5
Overview of the Light.....	6
Features	6
Unpacking the Light.....	6
Precautions for Installing the Light	7
Mounting the Light	7
Wiring the Light	11
Cleaning the Lenses.....	11
Safety Message to Operators.....	12
Getting Technical Support and Service.....	12
Ordering Replacement Parts.....	13
Returning a Product to Federal Signal.....	13

Tables

Table 1 Kit contents.....	7
Table 2 Legends for Figure 1	9
Table 3 Replacement parts	13

Figures

Figure 1 Exploded view of scene light	9
Figure 2 Dimensions of mounting holes on vehicle	10
Figure 3 Interior of scene light base	10

Safety Messages to Installers

⚠ WARNING

People's lives depend on your safe installation of our products. It is important to read, understand and follow all instructions shipped with the products. In addition, listed below are some other important safety instructions and precautions you should follow:

- To properly install this light, you must have a good understanding of automotive electrical procedures and systems, along with proficiency in the installation and use of safety warning equipment.
- DO NOT install equipment or route wiring or cord in the deployment path of an airbag.
- If a vehicle seat is temporarily removed, verify with the vehicle manufacturer if the seat needs to be recalibrated for proper airbag deployment.
- When drilling into a vehicle structure, be sure that both sides of the surface are clear of anything that could be damaged.
- Locate the light control so the VEHICLE and CONTROL can be operated safely under all driving conditions.
- Do not attempt to activate or deactivate light control while driving in a hazardous situation.
- This product contains high intensity LED devices. To prevent eye damage, DO NOT stare into the light at close range.
- After testing is complete, provide a copy of these instructions to the instructional staff and all operating personnel.
- You should frequently inspect the light to ensure that it is operating properly and that it is securely attached to the vehicle.
- File these instructions in a safe place and refer to them when maintaining and/or reinstalling the product.

Installation and Maintenance Instructions

Failure to follow all safety precautions and instructions may result in property damage, serious injury, or death.

Overview of the Light

The 7x3 QuadraFlare LED Scene Light is a self-contained, high-intensity LED light designed for mounting to the exterior of a vehicle. The Model QL73LEDSCENE QuadraFlare LED scene light is designed for operation on 12 Vdc. With the latest in Solaris™ LED technology, the scene light focuses lighting around the perimeter of the vehicle without using angled bezels.

Features

- Surface mounted LED scene light.
- Solaris LED Technology provides focused perimeter lighting without using angled bezel.
- QuadraFlare LED Scene Light is “instant-on” and does not require warm-up time.
- Industry Standard mounting and dimensions.
- Five-year warranty on LED components.
- Optional chrome-plated bezel available.
- Suitable for use in NFPA 1901 or GSA K-Spec compliant packages

Unpacking the Light

After unpacking the light, inspect it for damage that may have occurred in transit. If it has been damaged, do not attempt to install or operate it. File a claim immediately with the carrier, stating the extent of damage. Carefully check all envelopes, shipping labels, and tags before removing or destroying them. Ensure that the parts listed in Table 1 on page 7 are included in the package. If you are missing any parts, contact Customer Support at 1-800-264-3578, 7 a.m. to 5 p.m., Monday through Friday (CT). Disposal of all shipping materials must be carried out in accordance with national and local codes and standards.

Table 1 Kit contents

Qty.	Description	Part Number
4	#6 x 1-1/2" Screw, S.S.	7011205-24
4	Screw Grommet	7065073

Precautions for Installing the Light

NOTICE

DAMAGE TO THE SCENE LIGHT:

- When installing the QuadraFlare scene light on a vehicle, you **MUST** use the manufacturer's supplied mounting gasket, screws, and screw grommets.
- Do not use an impact drill or an electric screw gun when installing the light.
- Torque the mounting screws to the manufacturer's recommended specification of 12 in-lb +/-10 percent.

Failure to observe these precautions will damage the scene light and void any warranty claims for the light.

Mounting the Light

⚠ WARNING

AIRBAG DEPLOYMENT: Do not install equipment or route wiring in the deployment path of an airbag. Failure to observe this warning will reduce the effectiveness of the airbag or potentially dislodge the equipment, causing serious injury or death.

Before proceeding, determine the approximate location of the light assembly and plan all cable/wire routing.

IMPORTANT: For maximum coverage and effectiveness, the light assembly must be mounted in a horizontal orientation (see Figure 1 on page 9).

Installation and Maintenance Instructions

To mount the scene light:

1. Position the light assembly the mounting surface. Ensure that the light is level side to side.
2. Using the dimensions provided in Figure 2 on page 10, scribe the four mounting hole locations and a wiring routing hole location on the mounting surface.

NOTICE

DRILLING PRECAUTIONS: When drilling holes, check the area you are drilling into to be sure you do not damage vehicle components. All drilled holes should be de-burred and all sharp edges should be smoothed. All wire routings going through drilled holes should be protected by a grommet or convolute/split loom weaving.

3. Drill four 1/4 in (0.25 in) mounting holes and a wire routing hole 1 in (1.00 in) at the scribed locations.
4. Install the four supplied screw grommets into the four 1/4 in mounting holes.
5. Complete the electrical connections as described in “Wiring the Light” on page 11.
6. See Figure 1. Align the mounting gasket and the light assembly with the screw grommets, and secure it with the provided #8 x 1-1/2 in stainless steel screws. Be sure to have the lens mounted to the assembly with the top side of the lens at the top of the light. The lens has **TOP** molded into the top of the lens.

Figure 1 Exploded view of scene light

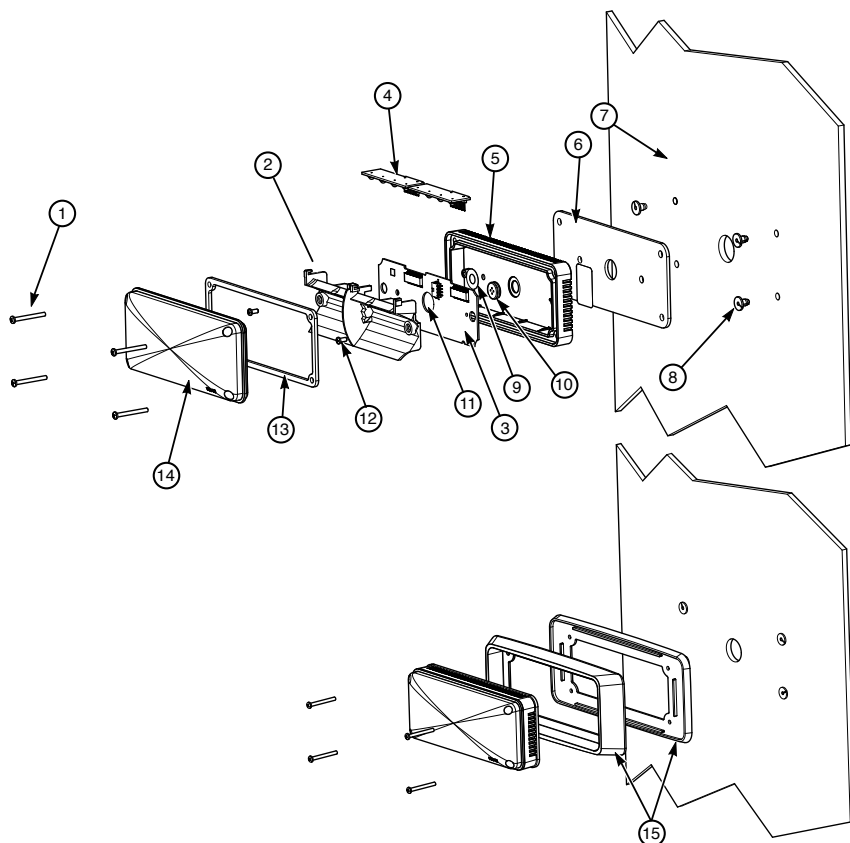


Table 2 Legends for Figure 1

No.	Description	No.	Description
1	Mounting Screw, #8 X 1-1/2 in, S.S.	9	Vent
2	Reflector	10	Grommet
3	Control PC Board Assy.	11	Wire Harness
4	LED PC Board Assy.	12	Reflector Mounting Screw
5	Base	13	Lens Gasket
6	Mounting Gasket	14	Lens
7	Vehicle Body	15	Bezel with Gasket (Optional)
8	Screw Grommet		

Figure 2 Dimensions of mounting holes on vehicle

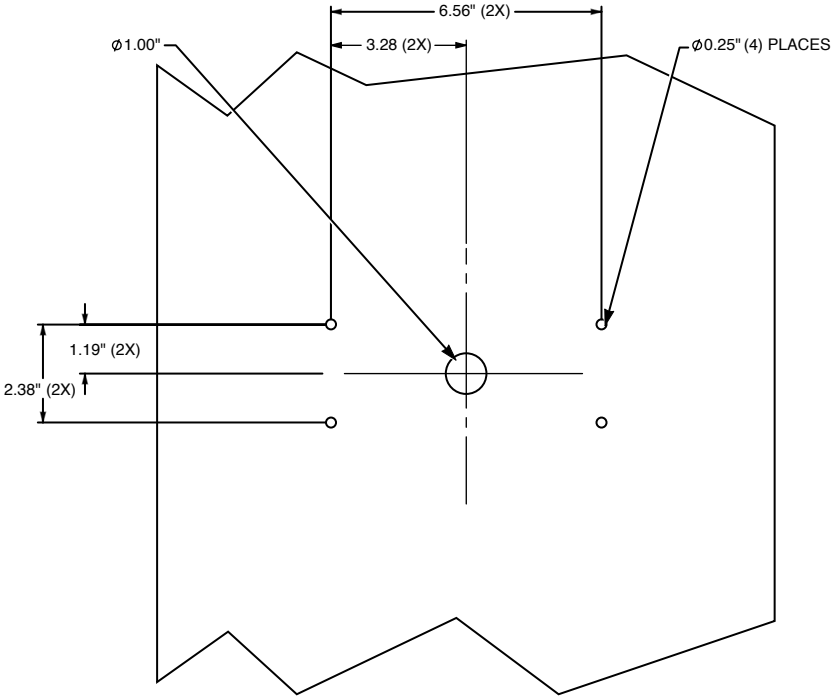
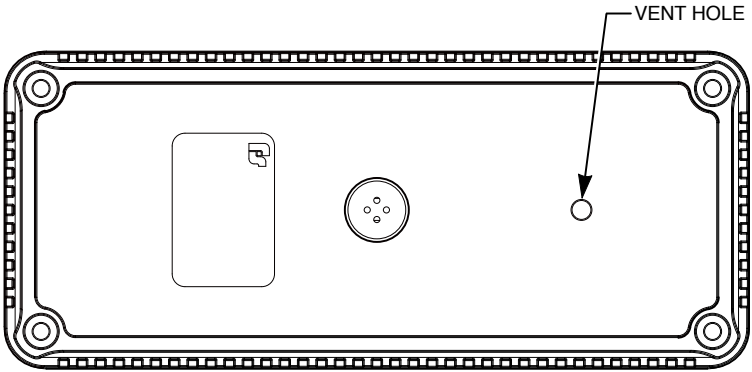


Figure 3 Interior of scene light base



Wiring the Light

The light assembly operates on 12 Vdc. Two 12 inch-long lead wires are supplied for making electrical connections to the light assembly.

Use 18 AWG (minimum) wire. Ensure that all wires are properly connected and insulated appropriately.

⚠ WARNING

LIGHT HAZARD: This product contains high intensity LED devices. To prevent eye damage, DO NOT stare into the light at close range.

To wire the scene light:

1. Connect the red (+) lead to the positive power source terminal
2. Connect the black (-) lead to the negative power source terminal.
3. Apply power and test the light for proper operation.

Cleaning the Lenses

⚠ WARNING

CRAZING/CHEMICALS: Crazed, cracked or faded lenses or reflectors reduce the light output and the effectiveness of the lighting system. Lenses or reflectors showing this type of aging must be replaced.

Clean the lens with a soft cloth and a solution of water and a mild soap. If fine scratches or a haze appear on the lens, remove them with a non-abrasive, high quality, one-step, automotive paste cleaner/wax and a soft cloth.

Safety Message to Operators

▲ WARNING

Peoples' lives depend on your safe use of our products. Listed below are some important safety instructions and precautions you should follow:

- This light does not comply with warning light standards. Do not use this light as a warning light.
- Although your warning system is operating properly, it may not be completely effective. People may not see or heed your warning signal. You must recognize this fact and continue driving cautiously.
- Also, situations may occur which obstruct your warning signal when natural or man-made objects are between your vehicle and others, such as raising your hood or trunk lid. If these situations occur, be especially careful.
- This product contains high intensity LED devices. To prevent eye damage, DO NOT stare into the light beam at close range.
- At the start of your shift, you should ensure that the light is securely attached and operating properly.

Failure to follow these safety precautions may result in property damage, serious injury, or death.

Getting Technical Support and Service

For technical support and service, please contact:

Federal Signal Corporation
Service Department
Public Safety Systems
Phone: 1-800-433-9132
Fax: 1-800-343-9706
Email: empserviceinfo@fedsig.com

Ordering Replacement Parts

To order replacement parts, please contact your local dealer/distributor or:

Customer Support

Federal Signal Corporation

Phone: 1-800-264-3578, 1-708-534-3400

Monday - Friday, 7:00 a.m. to 5:00 p.m. CST

<http://www.fedsig.com>

Table 3 Replacement parts

Description	Part Number
Lens Gasket	8012110
Mounting Gasket	8012081
Mounting Screw, #6 x 1-1/2 in	7011205-24
Screw Grommet	7065073
Lens	801201076
Optional Chrome Bezel with Gasket	QL73MC

Returning a Product to Federal Signal

Before returning a product to Federal Signal, call 800-264-3578, 800-433-9132, or 800-824-0254 to obtain a Returned Merchandise Authorization number (RMA number). To expedite the process please be prepared with the following information:

- Your Federal Signal customer or account number.
- The purchase order number under which the items were purchased.
- The shipping method.
- The model or part number of the product being returned.
- The quantity of products being returned.
- Drop ship information as needed.
- Any estimate required.

Installation and Maintenance Instructions

When you receive your RMA Number:

- Write the RMA number on the outside of the box of returned items.
- Reference the RMA number on your paperwork inside of the box.
- Write the RMA number down, so that you can easily check on status of the returned equipment.

Send all material with the issued RMA Number to:

Public Safety Systems
2645 Federal Signal Drive
University Park, IL 60484-3167
Attn: Service Department
RMA: # _____
800-433-9132
800-343-9706 (fax)
www.fedsig.com



2645 Federal Signal Drive, University Park, IL 60484-3167
Tel.: (800) 264-3578 • Fax: (800) 682-8022
www.fedsig.com