

25500511 Rev. A0 1118

Safety Message to Installers of Warning Light Equipment

⚠ WARNING

People's lives depend on your proper installation and servicing of Federal Signal products. It is important to read and follow all instructions shipped with this product and the original product. Listed below are some other important safety instructions and precautions you should follow:

- To properly install a light assembly, you must have a good understanding of automotive electrical procedures and systems, along with proficiency in the installation and use of safety warning equipment.
- Do not install equipment or route wiring in the deployment path of an airbag.
- If a vehicle seat is temporarily removed, verify with the vehicle manufacturer if the seat needs to be recalibrated for proper airbag deployment.
- When drilling into a vehicle structure, be sure that both sides of the surface are clear of anything that could be damaged.
- To be an effective warning device, this product produces bright light that can be hazardous to your eyesight when viewed at close range. Do not stare directly into this lighting product at close range or permanent damage to your eyesight may occur.
- You should frequently inspect the light system to ensure that it is operating properly and that it is securely attached to the vehicle.
- Refer to the instruction sheets included with related products for additional precautions and information.
- File these instructions in a safe place and refer to them when maintaining or reinstalling the product.

Failure to follow all safety precautions and instructions may result in property damage, serious injury, or death.

Overview

IMPORTANT: This kit is designed for vehicles with the grille shown in Figure 1.

Figure 1 F-150 grille



This publication has instructions for using the IPX-GRL14 Grille Mounting Kit to mount the Impaxx 600, MicroPulse™ 3 and MicroPulse 6 lighthoods in the grille of the Ford® F-150. For electrical installation instructions, refer to the Installation and Maintenance Instructions packed with the lighthood.

NOTE: User supplied disconnects may be required on the wiring to ease assembly.

Unpacking the Kit

After unpacking the kit, inspect it for damage that may have occurred in transit. If it has been damaged, do not attempt to install or operate it. File a claim immediately with the carrier, stating the extent of damage. Carefully check all envelopes, shipping labels, and tags before removing or destroying them. Ensure that the parts listed in Table 1 on page 2 are included in the package. If you are missing any parts, contact Customer Support at 1-800-264-3578, 7 a.m. to 5 p.m., Monday through Friday (CT). Disposal of all shipping materials must be carried out in accordance with national and local codes and standards.

Table 1 Kit contents

Qty.	Description	Part Number
4	Bracket, Retainer, MPS/IPX,F-150 PPV, Grille, ND	861302820
2	Brkt Assy, MPS/IPX, F-150 PPV, GRILLE, ND	861302819
4	Screw, 6-32, Phillips, Pan-Head, SS	7000491-08
4	Nut, 6-32 KEPS, SS	7058A046
8	Nut, Elastic Stop, 10-32, SS	7058061

Installing the Lights

IMPORTANT: Plan all cable routing before installation.

⚠ WARNING

AIRBAG DEPLOYMENT: Do not install equipment or route wiring in the deployment path of an airbag. Failure to observe this warning will reduce the effectiveness of the airbag or potentially dislodge the equipment, causing serious injury or death.

NOTICE

DRILLING PRECAUTIONS : Before drilling holes, check the area into which you plan to drill to ensure you do not damage vehicle components. All drilled holes should be deburred and all sharp edges should be smoothed. All wires going through drilled holes should be protected by a grommet or convolute/split-loom tubing.

To install the lighthoods:

1. Disassemble the front of the vehicle per the manufacturer’s service manual to access the back of the upper grille.
2. On the front of the grille locate the vertical bars where the lights will be mounted.

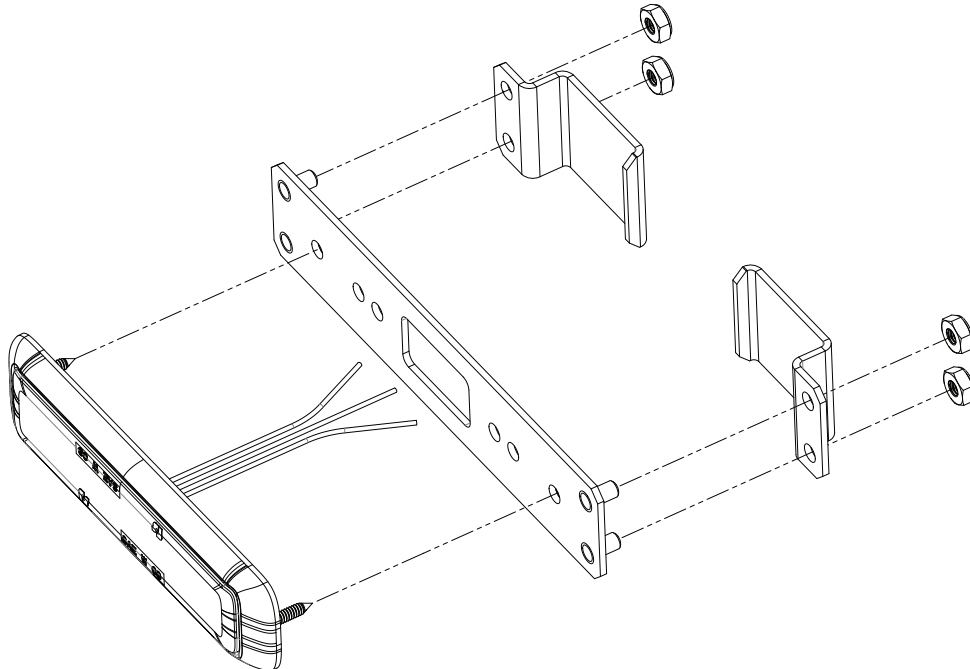
Figure 2 Brackets positioned on vertical bars on grille



3. Attach the lighthead to the bracket:

- For the IPX/MPS600 use the hardware supplied with the lighthead.
- For all other models use the included 6-32 screws and KEPS nuts.

Figure 3 Exploded view of lighthead secured to brackets



4. Once the lighthouse is attached to the bracket, position the bracket so that the smaller bracket will secure it to the grille as in the Figures 1 and 2.
5. Tighten the mounting hardware. **Do not overtighten.**
6. Repeat steps 3 through 5 on the other side of the grille.
7. Complete the wiring according to the instructions supplied with the lighthouse.
8. Reassemble vehicle according to the manufacturer's service manual.

⚠ WARNING

LIGHT HAZARD; To be an effective warning device, an emergency warning system produces bright light that can be hazardous to your eyesight when viewed at a close range. Do not stare directly into the lights at a close range or permanent damage to your eyesight may occur.

9. Test the lights for proper operation.

Getting Technical Support and Service

For technical support and service, please contact:

Service Department

Federal Signal Corporation

Phone: 1-800-433-9132 | Fax: 1-800-343-9706

Email: empserviceinfo@fedsig.com | www.fedsig.com

Getting Repair Service

The Federal Signal factory provides technical assistance with any problems that cannot be handled locally.

Any units returned to Federal Signal for service, inspection, or repair must be accompanied by a Return Material Authorization (RMA). Obtain a RMA from a local Distributor or Manufacturer's Representative.

Provide a brief explanation of the service requested, or the nature of the malfunction.

Address all communications and shipments to the following:

Federal Signal Corporation

Service Department

2645 Federal Signal Drive

University Park, IL 60484-3167

Ordering Replacement Parts

To order replacement parts, call Customer Support at 1-800-264-3578, 7 a.m. to 5 p.m., Monday through Friday (CT) or contact your nearest distributor.



2645 Federal Signal Drive
University Park, IL 60484-3167

© 2018 Federal Signal Corporation
MicroPulse is a trademark of Federal Signal Corp.
Ford is a registered trademark of Ford Motor Company.