



▶ Pro LED Beacon | LED Beacon

FEATURES

- Single and dual color versions
- Short and tall versions
Tall (DxH) – 7.24" x 5.24"
Short (DxH) – 7.24" x 3.62"
- FSLink™ syncing technology
- (25) selectable flash patterns
- Low-power functionality
- Built-in auto-dimming models available
- Branch guard, option
- Multi-voltage, 12/24 VDC
- Built-in permanent/1-inch pipe mount metal base
- Five-year warranty

APPROVALS

- SAE Class 1 (Amber, Blue, Red, White)
- CAC Title 13 (Amber, Blue, Red)
- NFPA Upper (Tall models; Amber and Red)

Versatile warning beacon built for a variety of applications

The Pro LED Beacon is available in tall and short dome versions in single or dual color utilizing the following colors – Amber, Blue, Green, Red and White. The e-coated and powder painted metal base of the Pro LED Beacon has a built-in permanent/1-inch pipe mount that allows for flexibility when mounting. The Pro LED Beacon is an ideal warning solution for work trucks and fire apparatuses.

Packed with technology

The Pro LED Beacon provides an effective warning signal that meets SAE Class 1 (Amber, Blue, Red, White), Title CAC 13 (Amber, Blue, Red) and NFPA Upper (Amber and Red). Additionally, the Pro LED Beacon has FSLink™ syncing technology that will allow for Pro LED Beacons and other Federal Signal products with FSLink to sync or alternately flash patterns to create a unified look.

Each Pro LED Beacon has (25) built-in flash patterns, low power function, and two flashing modes. Select models are available with an auto-dimming function. Branch guards for both the tall and short dome versions are available as an accessory.



Shown with branch guard
(sold separately)



Built-in permanent/1-inch
pipe mount metal base



Permanent/1-inch Pipe mount, Single color, tall dome

300TMP-A	Amber dome, Amber LEDs
300TMP-B	Blue dome, Blue LEDs
300TMP-G	Green dome, Green LEDs
300TMP-R	Red dome, Red LEDs
300TMP-W	Clear dome, White LEDs
300TMPC-A	Clear dome, Amber LEDs
300TMPC-B	Clear dome, Blue LEDs
300TMPC-G	Clear dome, Green LEDs
300TMPC-R	Clear dome, Red LEDs

Permanent/1-inch Pipe mount, Dual color, tall dome

320TMP-AB	Clear dome, Amber/Blue LEDs
320TMP-AG	Clear dome, Amber/Green LEDs
320TMP-AR	Clear dome, Amber/Red LEDs
320TMP-AW	Clear dome, Amber/White LEDs

Permanent/1-inch Pipe mount, Single color, tall dome

300TMP-AD-W	Auto-dimming, Clear dome, White LEDs
300TMPC-AD-A	Auto-dimming, Clear dome, Amber LEDs
300TMPC-AD-B	Auto-dimming, Clear dome, Blue LEDs
300TMPC-AD-G	Auto-dimming, Clear dome, Green LEDs
300TMPC-AD-R	Auto-dimming, Clear dome, Red LEDs

Permanent/1-inch Pipe mount, Dual color, tall dome

320TMP-AD-AB	Auto-dimming, Clear dome, Amber/Blue LEDs
320TMP-AD-AG	Auto-dimming, Clear dome, Amber/Green LEDs
320TMP-AD-AR	Auto-dimming, Clear dome, Amber/Red LEDs
320TMP-AD-AW	Auto-dimming, Clear dome, Amber/White LEDs

Permanent/1-inch Pipe mount, Single color, short dome

300SMP-A	Amber dome, Amber LEDs
300SMP-B	Blue dome, Blue LEDs
300SMP-G	Green dome, Green LEDs
300SMP-R	Red dome, Red LEDs
300SMP-W	Clear dome, White LEDs
300SMPC-A	Clear dome, Amber LEDs
300SMPC-B	Clear dome, Blue LEDs
300SMPC-G	Clear dome, Green LEDs
300SMPC-R	Clear dome, Red LEDs

Permanent/1-inch Pipe mount, Dual color, short dome

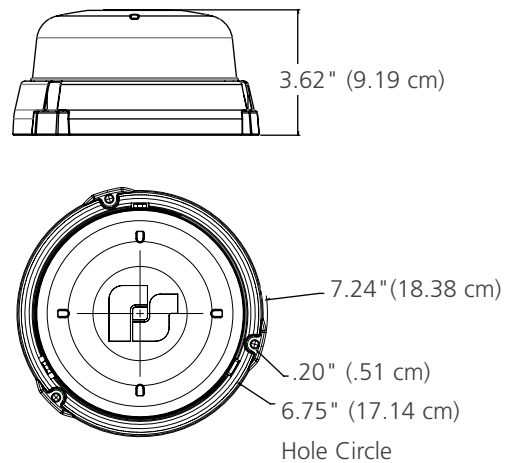
320SMP-AB	Clear dome, Amber/Blue LEDs
320SMP-AG	Clear dome, Amber/Green LEDs
320SMP-AR	Clear dome, Amber/Red LEDs
320SMP-AW	Clear dome, Amber/White LEDs

Accessories

300B-TALL	Branch guard, tall
300B-SHORT	Branch guard, short

Specifications				
	300TMP	320TMP	300SMP	320SMP
Voltage	12/24 VDC			
Current Draw	2 A (Average) 4 A (Max)			
LED Count	36	72	24	48
LED Color Options	Amber, Blue, Green, Red, White			
Dome Color Options	Amber, Blue, Clear, Green, Red			
Physical Specifications				
Diameter	7.24 in (18.38 cm)		7.24 in (18.38 cm)	
Height	5.24 in (13.3 cm)		3.62 in (9.19 cm)	
Ship Weight				
	3.25 lbs (1.5 kg)		3 lbs (1.4 kg)	

Short Dome Beacon



Tall Dome Beacon

