



► Model 191XL-CN

# Hazardous Location Zone Listed LED Warning Light



Model 191XL-CN is a hazardous location LED signal light that comes standard in flashing mode and is field configurable to steady burn mode for maximum functionality.

Federal Signal's super bright LED array used in the 191XL-CN produces intense light output and 50,000 hours of service. Increased shock and vibration resistance add to this unit's rugged industrial portfolio of features.

## FEATURES

- Available in 24VAC/DC and 120-240VAC
- Five lamp/lens colors: Amber, Blue, Clear, Green and Red
- Flashing mode standard, configurable to steady-burn
- 50,000 hours, vibration resistant LED lamp
- Dome guard included
- Available in 3/4-inch NPT pipe mount or surface mount
- Type 4X, IP66, IP69K enclosure
- Marine Listed
- UL and cUL Listed for Class I, Zone 2, AEx nA IIC Gc; Zone 22 AEx tc IIIC Dc

MODEL	VOLTAGE	OPERATING CURRENT	IN-RUSH CURRENT	FLASH RATE/ MINUTE	MOUNT	LIGHT OUTPUT
<b>191XL-CN- * 024 **</b>	24VAC/DC	0.40 amps	1.75 amps, 5.0 mS	60	3/4" NPT Pipe or Surface	200 cd***
<b>191XL-CN * 120-240 **</b>	120/240VAC	0.21/0.13 amps	2.0 amps, 0.25 mS	60	3/4" NPT Pipe or Surface	200 cd***

\* Include (S) for Surface Mount Option (Example part number: 191XL-CN-S024R for surface mount option, 191XL-CN-024R for pipe mount)

\*\* Indicates color: (A) Amber, (B) Blue, (C) Clear, (G) Green or (R) Red

\*\*\* Tested with clear lens and flashing mode

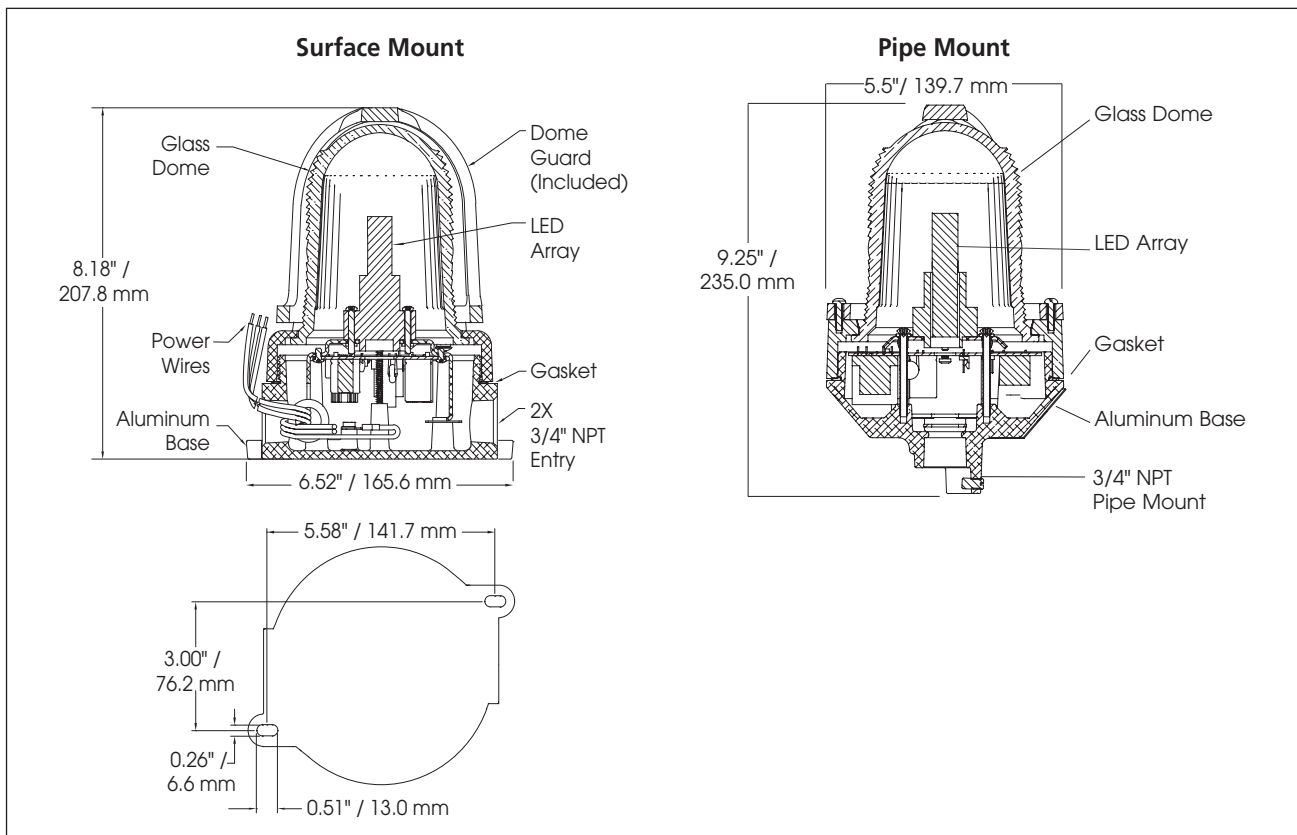
Note: When ordering the 120/240 voltage, use 120-240 for the pipe mount model and 120240 for the surface mount model

### HAZARDOUS LOCATION RATING: 191XL-CN

T-CODE AT MAXIMUM AMBIENT TEMPERATURE, °C

Hazardous Location	66°C
	All Voltages
Class I, Zone 2	T4
Class II, Zone 22	T85

## Hazardous Location Zone Listed LED Warning Light (191XL-CN)



### SPECIFICATIONS

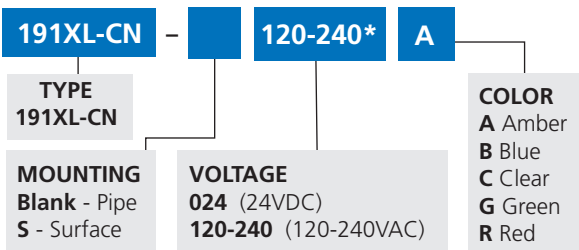
Lamp Life:	50,000 Hours	
Light Source:	LED	
Certified Operating Temperature:	-31°F to 150°F	-35°C to 66°C
Electrical Operating Temperature:	-67°F to 150°F	-55°C to 66°C
Net Weight:	4.0 lbs	1.81 kg
Shipping Weight:	4.25 lbs	1.93 kg
<b>Pipe Mount</b>		
Height (with Dome Guard):	9.25"	235.0 mm
Diameter:	5.5"	139.7 mm
<b>Surface Mount</b>		
Height	8.18"	207.8 mm
Diameter	6.52"	165.6 mm

### REPLACEMENT PARTS

Description	Part Number
LED array, Amber	K14700030A-A
LED array, Blue	K14700030A-B
LED array, Clear	K14700030A-W
LED array, Green	K14700030A-G
LED array, Red	K14700030A-R
PC Board Assembly, 24VDC	K2005455A
PC Board Assembly, 120/240VAC	K2005416A
Glass Dome/Ring Assembly, Amber <sup>1</sup>	K8449078C-01
Glass Dome/Ring Assembly, Blue <sup>1</sup>	K8449078C-06
Glass Dome/Ring Assembly, Clear <sup>1</sup>	K8449078C-04
Glass Dome/Ring Assembly, Green <sup>1</sup>	K8449078C-07
Glass Dome/Ring Assembly, Red <sup>1</sup>	K8449078C
Guard, Dome	K8449090B

<sup>1</sup>Assembly includes a gasket

### HOW TO ORDER



\*Shown for ordering a pipe mount model. Use 120240 for surface mount.

### OPTIONAL ACCESSORIES

Description	Part Number
Hazardous Location Mounting Bracket	LHWB
Mounting Bracket shown on pages 136-137	