

25500230 Rev. A0

Safety Message to Installers of Warning Light Equipment

▲ WARNING

People's lives depend on your proper installation and servicing of Federal Signal products. It is important to read and follow all instructions shipped with this product and the original product. In addition, listed below are some other important safety instructions and precautions you should follow:

- To properly install the warning lights, you must have a good understanding of automotive systems, along with proficiency in the installation and use of safety warning equipment.
- Do not install equipment or route wiring in the deployment path of an airbag.
- If a vehicle seat is temporarily removed, verify with the vehicle manufacturer if the seat needs to be recalibrated for proper airbag deployment.
- You should frequently inspect the light system to ensure that it is operating properly and that it is securely attached to the vehicle.
- When drilling into a vehicle structure, be sure that both sides of the surface are clear of anything that could be damaged.
- Refer to the instructions packed with related products for additional precautions and information.
- Do not stare directly into the lights at a close range or permanent damage to your eyesight may occur.
- File these instructions in a safe place and refer to them when maintaining and/or reinstalling the product.

Failure to follow all safety precautions and instructions may result in property damage, serious injury, or death.

Introduction

This publication has instructions for using the MPSMW9-DUR15MIR Mounting Kit to mount a MicroPulse® MPSW9 lighthouse to the each side mirror of the Dodge® Durango.

NOTE: For electrical installation instructions, refer to the Installation and Maintenance Instructions packed with the lighthouse.

Unpacking the Kit

After unpacking the kit, inspect it for damage that may have occurred in transit. If it has been damaged, do not attempt to install or operate it. File a claim immediately with the carrier, stating the extent of damage. Carefully check all envelopes, shipping labels, and tags before removing or destroying them. Ensure that the parts in the KIT CONTENTS LIST are included in the package. Disposal of all shipping materials must be carried out in accordance with national and local codes and standards. If you are missing any parts, contact Customer Support at 1-800-264-3578, 7 a.m. to 5 p.m., Monday through Friday (CT).

Table 1 MPSMW9-DUR15MIR mounting kit contents

Qty.	Description	Part Number
1	Bracket, Driver Side, Mirror, DUR15, MPSW9	861301281-DS
1	Bracket, Passenger Side, Mirror, DUR15, MPSW9	861301281-PS
4	Screw, 6-32, Phillips Pan-Head, SS	7000491-08
4	Nut, 6-32 KEPS, SS	7058A046
6	Screw, #10, Type B, 6-Lobe, Black	7011246-06

⚠ WARNING

AIRBAG DEPLOYMENT: Do not install equipment or route wiring in the deployment path of an airbag. Failure to observe this warning will reduce the effectiveness of the airbag or potentially dislodge the equipment, causing serious injury or death.

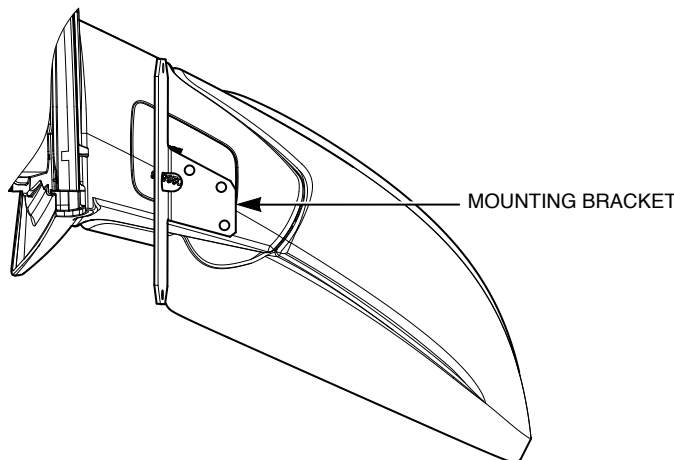
NOTICE

DRILLING PRECAUTION: When drilling holes, check the area you are drilling into to be sure you do not damage vehicle components. All drilled holes should be deburred and all sharp edges should be smoothed. All wire routings going through drilled holes should be protected by a grommet or convolute/split loom tubing.

To install the light:

1. Position the bracket as shown and mark mounting holes and a wire access hole.

Figure 1 Mounting bracket position on passenger-side mirror



2. Drill three 5/32" (0.156") mounting holes, plus a hole for wire routing.
3. Remove the cover and prepare the wiring.
4. Install the bracket to the cover with the two #10 Type B six-lobe screws.
5. Reinstall the cover and install the third #10 Type B six-lobe screw into the arm.
6. Install the MPSW9 with the provided 6-32 nuts and screws.
7. Repeat the previous steps on the other side of the vehicle.

8. Complete the wiring per the instructions supplied with the lighthouse.

⚠ WARNING

LIGHT HAZARD: *To be an effective warning device, an emergency warning system produces bright light that can be hazardous to your eyesight when viewed at a close range. Do not stare directly into the lights at a close range or permanent damage to your eyesight may occur.*

9. Test the lights for proper operation.
10. Reassemble the front of the vehicle according to the manufacturer's service manual.

Getting Technical Support and Service

Federal Signal Corporation will service your equipment or provide technical assistance with any problems that cannot be handled locally. Any product returned to Federal Signal for service, inspection, or repair must be accompanied by a Return Material Authorization number. The RMA number can be obtained from your local distributor or Federal Signal. Please provide a brief explanation of the service requested or the nature of the malfunction. Contact your local dealer/distributor for replacement parts availability or contact the Federal Signal Service Department (7 a.m. to 5 p.m., Monday through Friday, Central Time) at:

Service Department
Federal Signal Corporation
2645 Federal Signal Drive
University Park, IL 60484-3167
800-433-9132, 800-343-9706 (fax)

Ordering Replacement Parts

To order replacement parts for the mounting system, please contact your local dealer/distributor or:

Customer Support
Federal Signal Corporation
Phone: 1-800-264-3578

Returning a Product to Federal Signal

Before returning a product to Federal Signal, call 800-264-3578, 800-433-9132, or 800-824-0254 to obtain a Returned Merchandise Authorization number (RMA number). To expedite the process please be prepared with the following information:

- Your Federal Signal customer or account number.
- The purchase order number under which the items were purchased.
- The shipping method.
- The model or part number of the product being returned.
- The quantity of products being returned.
- Drop ship information as needed.
- Any estimate required.

Installation Instructions for the MPSMW9-DUR15MIR Mounting Kit

When you receive your RMA Number:

- Write the RMA number on the outside of the box of returned items.
- Reference the RMA number on your paperwork inside of the box.
- Write the RMA number down, so that you can easily check on status of the returned equipment.

Send all material with the issued RMA Number to:

Federal Signal Corp.
2645 Federal Signal Drive
University Park, IL 60484-3167

Attn: Service Department

RMA: # _____

800-433-9132

800-343-9706 (fax)

www.fedsig.com

Dodge is a registered trademark of FCA US LLC.
MicroPulse is a registered trademark of Federal Signal Corp.