

25500196 Rev. A0

Safety Message to Installers of Warning Light Equipment

▲ WARNING

People's lives depend on your proper installation and servicing of Federal Signal products. It is important to read and follow all instructions shipped with this product and the original product. In addition, listed below are some other important safety instructions and precautions you should follow:

- To properly install the lighting system, you must have a good understanding of automotive systems, along with proficiency in the installation and use of safety warning equipment.
- Do not install equipment or route wiring in the deployment path of an airbag.
- If a vehicle seat is temporarily removed, verify with the vehicle manufacturer if the seat needs to be recalibrated for proper airbag deployment.
- You should frequently inspect the light system to ensure that it is operating properly and that it is securely attached to the vehicle.
- When drilling into a vehicle structure, be sure that both sides of the surface are clear of anything that could be damaged.
- Refer to the instructions packed with related products for additional precautions and information.
- File these instructions in a safe place and refer to them when maintaining and/or reinstalling the product.
- Do not stare directly into the lights at a close range or permanent damage to your eyesight may occur.

Failure to follow all safety precautions and instructions may result in property damage, serious injury, or death.

Mounting Bracket for MB1 Message Board

This publication has instructions for using the MBK01 Mounting Kit to mount the MB1 Message Board in the rear of the Ford® Interceptor Utility.

NOTE: For electrical installation instructions, refer to the Installation and Maintenance Instructions packed with the Message Board.

Unpacking the Kit

After unpacking the kit, inspect it for damage that may have occurred in transit. If it has been damaged, do not attempt to install or operate it. File a claim immediately with the carrier, stating the extent of damage. Carefully check all envelopes, shipping labels, and tags before removing or destroying them. Ensure that the parts in the Kit Contents List are included in the package. Disposal of all shipping materials must be carried out in accordance with national and local codes and standards. If you are missing any parts, contact Customer Support at 1-800-264-3578, 7 a.m. to 5 p.m., Monday through Friday (CT).

Table 1 Kit contents

Qty.	Description	Part Number
2	Bracket Assy., Upper Mount,	857300075
2	Bracket, Lower Mount, MB1, FPIU	865201248
2	Screw, 1/4"-20, Hex Head	7002A000-12
4	Screw, #10 Type B, Pan, Six Lobe, Black	7011246-06
2	Washer, 1/4" Flat	7072A025

Installing the Brackets

⚠ WARNING

AIRBAG DEPLOYMENT: Do not install equipment or route wiring in the deployment path of an airbag. Failure to observe this warning will reduce the effectiveness of the airbag or potentially dislodge the equipment, causing serious injury or death.

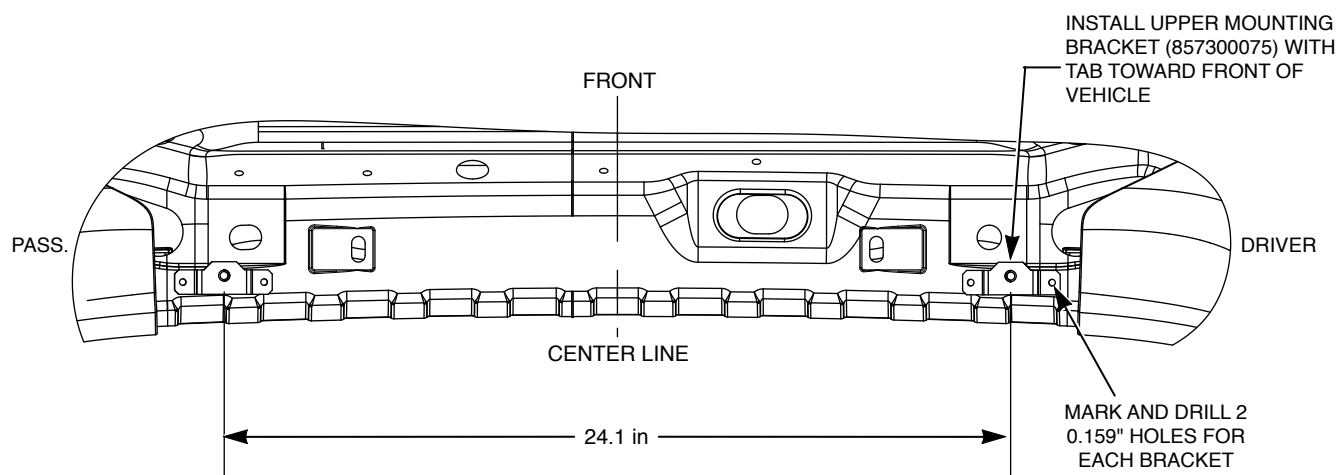
NOTICE

DRILLING PRECAUTION: When drilling holes, check the area you are drilling into to be sure you do not damage vehicle components. All drilled holes should be deburred and all sharp edges should be smoothed. All wire routings going through drilled holes should be protected by a grommet or convolute/split loom tubing.

IMPORTANT: Plan all cable routing before the installation.

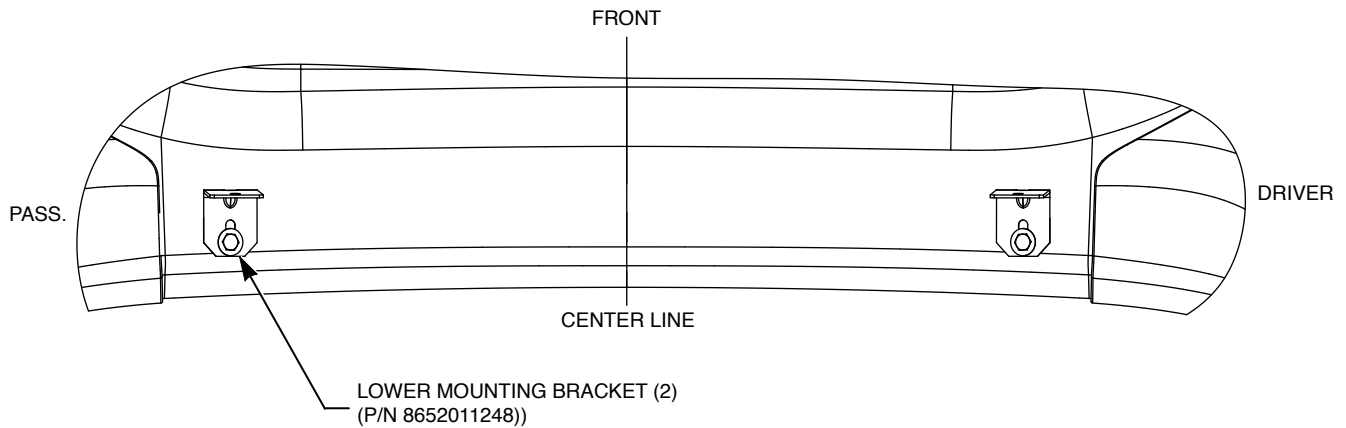
1. To access the rear roof support, disassemble the vehicle according to the manufacturer’s service manual.
2. Position the upper bracket assemblies as shown in Figure 1 and mark the holes.
3. Drill two 0.159" diameter (#21 drill) holes for each bracket.
4. Mount the brackets to the rear roof support with four #10 Type B screws and reinstall headliner.

Figure 1 Upper bracket assemblies secured on rear roof support



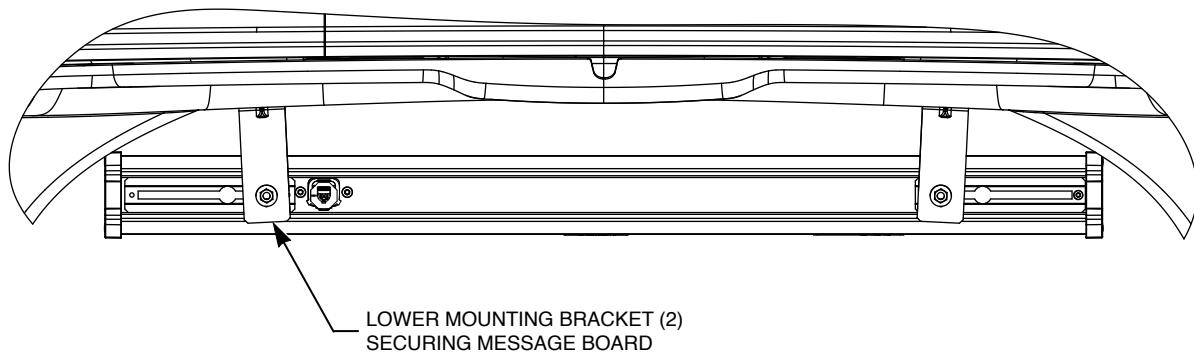
5. Locate the holes with a scratch awl in the upper bracket assemblies and pierce the headliner.

Figure 2 Lower bracket assemblies positioned over rear headliner



6. Mount the lower brackets to the upper bracket assemblies with the 1/4"-20 cap screws and flat washers.
7. Mount the MB1 Message Board to the lower brackets with the hardware supplied with the Message Board.

Figure 3 Message Board secured to lower mounting brackets (toward rear window)



8. Complete the installation according to the instructions provided with the Message Board.

⚠ WARNING

LIGHT HAZARD: *To be an effective warning device, an emergency warning system produces bright light that can be hazardous to your eyesight when viewed at a close range. Do not stare directly into the lights at a close range or permanent damage to your eyesight may occur.*

9. Test the Message Board for proper operation.

Getting Technical Support and Service

Federal Signal Corporation will service your equipment or provide technical assistance with any problems that cannot be handled locally. Any product returned to Federal Signal for service, inspection, or repair must be accompanied by a Return Material Authorization number. The RMA number can be obtained from your local distributor or Federal Signal. Please provide a brief explanation of the service requested or the nature of the malfunction. Contact your local dealer/distributor for replacement parts availability or contact the Federal Signal Service Department (7 a.m. to 5 p.m., Monday through Friday, Central Time) at:

Service Department
Federal Signal Corporation
2645 Federal Signal Drive
University Park, IL 60484-3167
800-433-9132, 800-343-9706 (fax)

Returning a Product to Federal Signal

Before returning a product to Federal Signal, call 800-264-3578, 800-433-9132, or 800-824-0254 to obtain a Returned Merchandise Authorization number (RMA number). To expedite the process please be prepared with the following information:

- Your Federal Signal customer or account number.
- The purchase order number under which the items were purchased.
- The shipping method.
- The model or part number of the product being returned.
- The quantity of products being returned.
- Drop ship information as needed.
- Any estimate required.

When you receive your RMA Number:

- Write the RMA number on the outside of the box of returned items.
- Reference the RMA number on your paperwork inside of the box.
- Write the RMA number down, so that you can easily check on status of the returned equipment.

Send all material with the issued RMA Number to:

Public Safety Systems
2645 Federal Signal Drive
University Park, IL 60484-3167
Attn: Service Department
RMA: # _____
800-433-9132
800-343-9706 (fax)
www.fedsig.com

Ford is a registered trademark of the Ford Motor Company.