



COM1FC-R



COM1LC-W

▶ Commander® Flashing and Marker Light | Exterior Perimeter Light

FEATURES

- Multipurpose surface mount warning and marker lights; small size allows for various mounting locations on a vehicle
- Flashing models available with a single flash pattern or steady burn to be used with an external flasher. Flashing models available in Amber, Blue, Red, and White
- Marker/Clearance lights are available in Amber, Green, and Red and meet SAE J592 and J2042
- The LED Illumination light meets the NFPA step light spec (13.10.3) and is available in a surface mount and 45-degree angle surface mount
- All models are fully encapsulated to prevent any moisture issues
- All models include a chrome flange and mounting gasket
- Five-year warranty

APPROVALS

- Marker/Clearance Lights : SAE J592 and J2042 (Amber, Green, Red)
- LED Illumination Light : NFPA (13.10.3)

The Commander® Flashing and Marker lights have a small surface mount design that can be mounted in various locations on a vehicle. Flashing models are available with a single flash pattern or steady burn that can be used with an external flasher. Flashing models are available in Amber, Blue, Red, and White. The marker/clearance lights are available in Amber, Green, and Red and have a wider beam spread than the flashing models.

White Illumination models can be used to light steps, hose beds, or underneath a vehicle. The Illumination models are available in a standard surface mount and a 45-degree angled surface mount.

Flashing and marker light models utilize 4 LEDs and the Illumination models utilize 3 LEDs. All models are fully encapsulated to prevent any moisture issues and include a chrome flange and mounting gasket.



Specify model

Commander Flashing Lights

- COM1FC-A 4-LED light head, Amber LEDs, Clear lens
- COM1FC-R 4-LED light head, Red LEDs, Clear lens
- COM1FC-B 4-LED light head, Blue LEDs, Clear lens
- COM1FC-W 4-LED light head, White LEDs, Clear lens

Commander Marker Lights

- COM1MC-A 4-LED light head, Amber LEDs, Clear lens
- COM1MC-R 4-LED light head, Red LEDs, Clear lens
- COM1MC-G 4-LED light head, Green LEDs, Clear lens

Commander Flashing Lights (use with an external flasher)

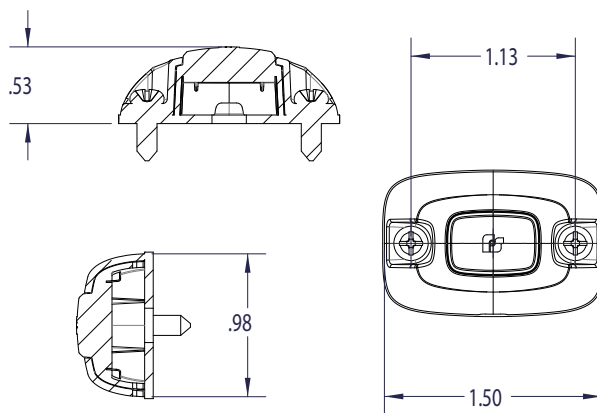
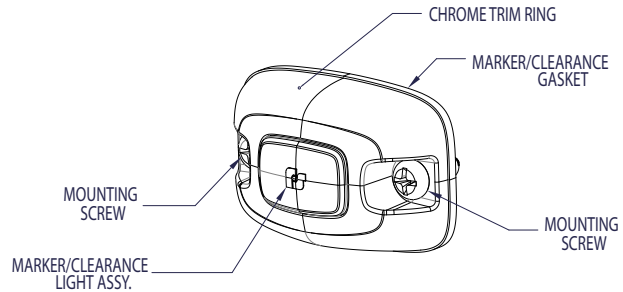
- COM1SC-A 4-LED light head, Amber LEDs, Clear lens
- COM1SC-B 4-LED light head, Blue LEDs, Clear lens
- COM1SC-R 4-LED light head, Red LEDs, Clear lens

Commander Illumination Lights

- COM1LC-W 3-LED light head, White LEDs, Clear lens
- COM145LC-W 3-LED light head, 45-degree mount, White LEDs, Clear lens



Flashing and marker light models utilize 4 LEDs



SPECIFICATIONS

Specifications					
	COM1FC (-Color)	COM1MC (-Color)	COM1SC (-Color)	COM1LC-W	COM145LC-W
Current Draw	MAX 0.5 A				
Input Voltage	12 VDC				
Operating Temperature	-40 °C - 65° C				
Physical Specifications					
Height	0.5 in (1.27 cm)		0.9 in (2.3 cm)		
Length	1.5 in (3.81 cm)		2.0 in (5.1 cm)		
Width	0.8 in (2.0 cm)		0.8 in (2.0 cm)		
Ship Weight					
	2 lbs (0.91 kg)			3 lbs (1.4 kg)	



Commander is a trademarks of Federal Signal Corporation.

©2018 Federal Signal Corporation. M8035 I 218