



► Model G-STR-_-15J

Global Series™ Signaling Platform – 15J Strobe

The Federal Signal patented Global Series™ Strobes feature a high-intensity xenon strobe tube operated at 15J. The housing is made from non-metallic materials designed to serve the demanding needs of offshore marine and land-based industrial applications, and can dramatically reduce the cost of long-term maintenance.

The flameproof “Ex d” versions come standard with two (2) M20 entries. The increased safety “Ex de” versions include a separate terminal chamber for quick field termination or pass-through wiring, and include three (3) M20 entries in a standard configuration.

The Global Series Strobe can be combined with all other Global Series audible and visual products in several custom configurations. Custom configurations can be ordered directly from the factory. Optional coupling kits, which allow limited field fixturing, are available.

FEATURES

- Available in 24VDC, 120VAC and 220-240VAC 50/60Hz
- Optional 316 stainless steel ratchet adjustable mounting U-bracket (Field installation required)
- Non-metallic corrosion-resistant design
- 24VDC models contain a supervisory diode and four wire terminal block
- For use in alarm control panel applications
- Dome guard included
- M20 entries standard (M25 option available)
- Type 4X, IP66, IP69K enclosure
- Zone 1, 21 Rated, IECEx, ATEX, Ex d IIC, Ex de IIC and Ex tb IIC
- UL and cUL Listed for Class I, Division 2, Groups A, B, C and D; Class II, Division 2, Group F and G, and Class III
- UL and cUL Listed for Class 1, Zone 1 AEx db IIC T3: Zone 21, AEx tb IIC T200°C, excludes increase safety versions (Ex de)
- Optional indicator rings are available in six colors: Black, Blue, Green, Magenta, Red and Yellow
- Field customizable legend plates available¹

MODEL	OPERATING VOLTAGE	NOMINAL OPERATING CURRENT	FLASH ENERGY (JOULE)	LIGHT OUTPUT
G-STR -_-15J	24VDC	0.83 amps	15J	300 cd
	120VAC 50/60Hz	0.33 amps	15J	300 cd
	220-240VAC 50/60Hz	0.19 amps	15J	300 cd

UL/cUL HAZARDOUS LOCATION RATING

TEMPERATURE CODE AT 70°C

Class I, Division 2, Groups A, B, C, D	T1
Class II, Division 2, Groups F, G	T4A
Class III	T4A

ATEX/IECEx HAZARDOUS LOCATION RATING

TEMPERATURE CODE AT 70°C

T4

UL/cUL HAZARDOUS LOCATION CLASS/ZONE

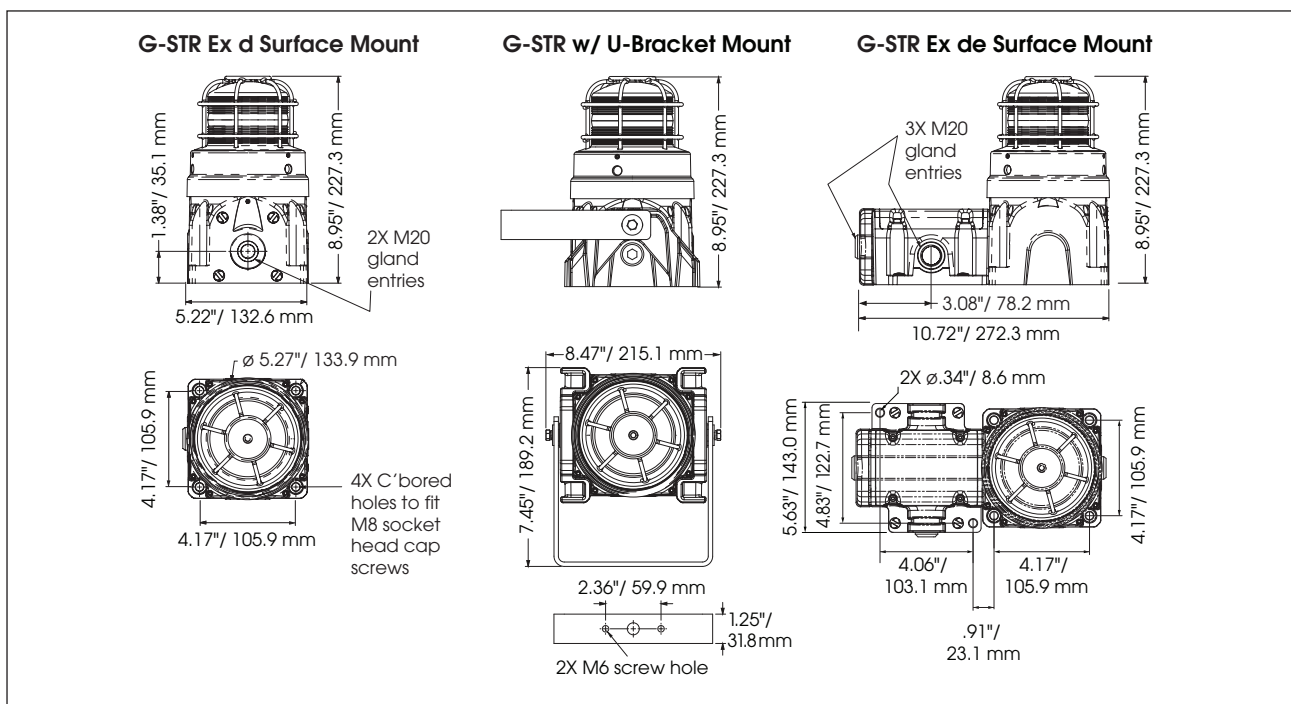
TEMPERATURE CODE AT 70°C

T3

¹ Recommended labels: BRADY #B-855 Toughwash labels or ULINE #S-16643 weather resistant



Global Series Signaling Platform – 15J Strobe (G-STR-_-15J)



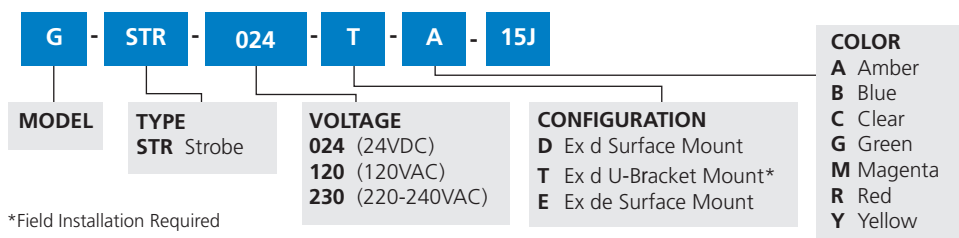
SPECIFICATIONS

Lamp Life:	10,000 Hours
Light Source:	Strobe
Operating Temperature Range:	-67°F to 158°F -55°C to 70°C
ATEX/IECEx Certification Marking:	
II 2GD Ex d IIC Gb, Ex tb IIIC Db IP66.	T4 @ 70°C
II 2GD Ex de IIC Gb, Ex tb IIIC Db IP66.	T4 @ 70°C
ATEX: Baseefa15ATEX0154X	
IECEx: IECEx BAS 15.0103X	
Guard and External Fasteners:	316 stainless steel
Terminals:	Ex d: 6 way block (3 in, 3 out)
	Ex de: 3-pole, 4 position quad pole terminal blocks
Cable Entries:	Ex d: 2 entries - M20 x 1.5
	Ex de: 3 entries - M20 x 1.5
UL and cUL Certification Marking:	
Class I, Division 2, Groups A, B, C, D	T1 @ 70°C
Class II, Division 2, Groups F, G	T4A @ 70°C
Class III	T4A @ 70°C
Net Product Weight	
Ex d Surface Mount:	7.17 lbs 3.25 kg
Ex d U-Bracket Mount:	9.15 lbs 4.15 kg
Ex de Surface Mount:	9.99 lbs 4.53 kg

REPLACEMENT PARTS

Description	Part Number
Lens Guard	K859500821-01
Lens, Amber	K859500814
Lens, Blue	K859500814-01
Lens, Clear	K859500814-02
Lens, Green	K859500814-03
Lens, Red	K859500814-04
Lens, Magenta	K859500814-05
Lens, Yellow	K859500814-06
Strobe Tube Only	K8107177A
Strobe Tube, 15J, PCBA 24VDC Kit	K85951402-024-15J
Strobe Tube, 15J, PCBA 120VAC Kit	K85951402-120-15J
Strobe Tube, 15J, PCBA 240VDC Kit	K85951402-230-15J
Accessories	
E-Box Endcap with M20 Opening	K859500805-02
E-Box Endcap with M25 Opening	K859500805-01
E-Box Cover Assembly (Includes two terminal blocks, mounting plate, retention hardware)	K859501414
Adapter, M20 Male to 1/2" Female NPT	K231246A
Adapter, M20 Male to 3/4" Female NPT	K231247

HOW TO ORDER



*Field Installation Required

Reference Global Series accessory products on pages 12 and 13 for list of available accessories.