



## ► Six-Button Controller | Accessories

### FEATURES

- An alternate to the interface module with separate controls for the light bar
- (6) illuminated push-buttons and a (4) position slide switch
- (18) pre-programmed keypad configurations for Legend®
- (6) pre-programmed keypad configurations for Integrity®, Valor®, CN SignalMaster™, SpectraLux® ILS and Navigator
- Includes a built-in lockout feature
- Three-year warranty

#### Light Control in a Compact Package

The six-button programmable serial controller is an innovative light bar control module designed specifically for use with Federal Signal's Convergence Network light bars—Legend®, Integrity®, Valor®, CN SignalMaster™, SpectraLux® ILS, and Navigator. The six-button controller features (6) illuminated push-buttons and a (4) position slide switch.

#### Power Programming for Quick & Easy Flash Pattern and Keypad Configuration Selection

The six-button controller incorporates power programming for a quick and easy flash pattern and keypad configuration selection. Each six-button controller comes with a variety of pre-programmed keypad configurations for the user to select from:

- Legend: (18) keypad options
- Integrity, Valor, CN SignalMaster, SpectraLux ILS: (6) keypad options
- Navigator: (6) keypad options

Each keypad configuration contains between 1 – 3 flashing modes, each producing one of (12) distinct flash patterns easily changeable from the keypad. Enhanced functionality lets the user take advantage of all the light bar has to offer, including built-in directional signals. Additional light bar functions include: front and rear cutoff, takedown and alley lights, front and rear flood, work lights, and low power mode.

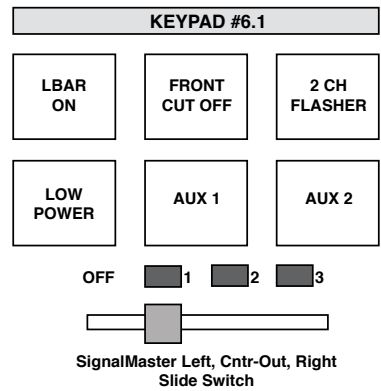
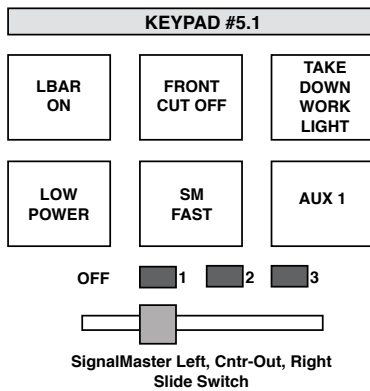
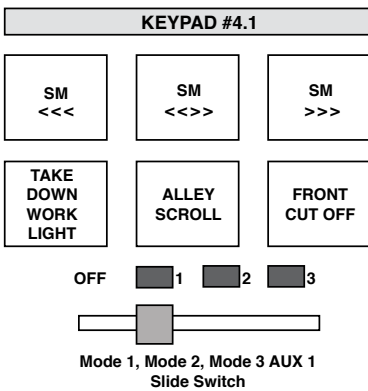
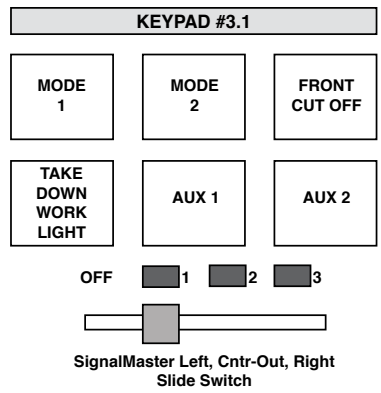
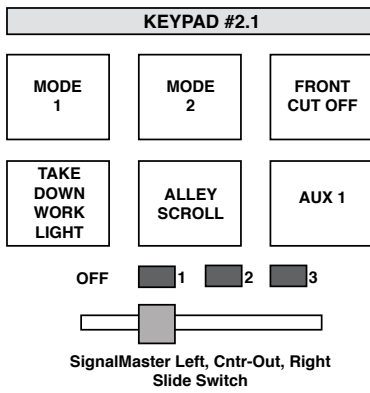
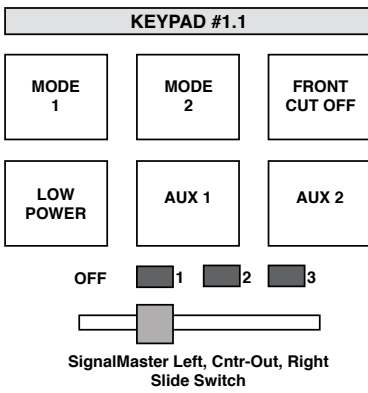
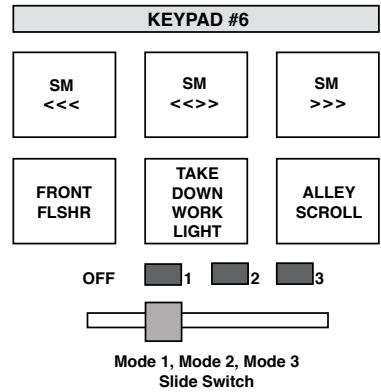
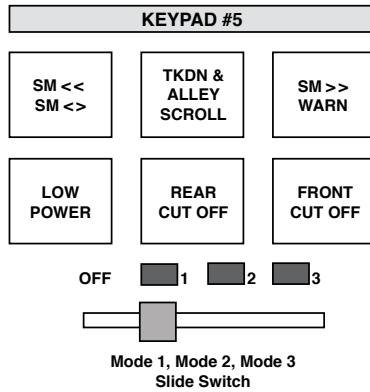
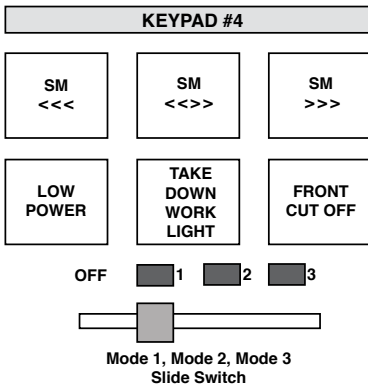
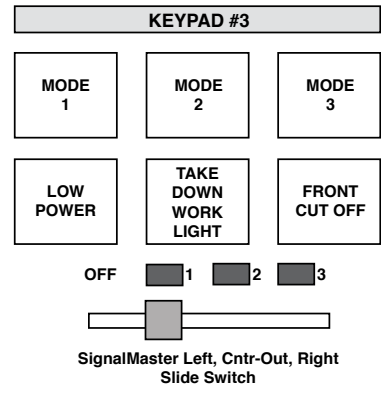
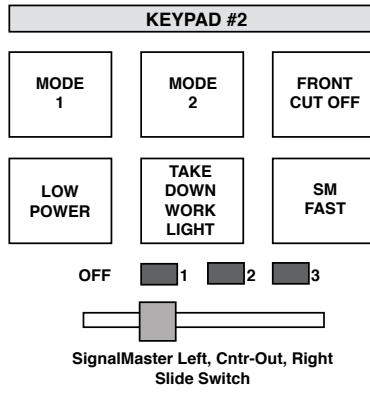
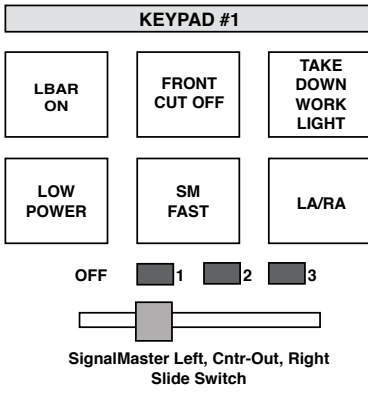
#### Optional Lockout Feature

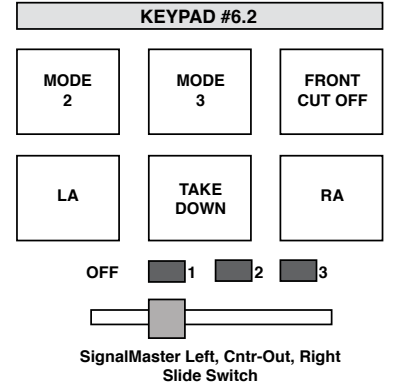
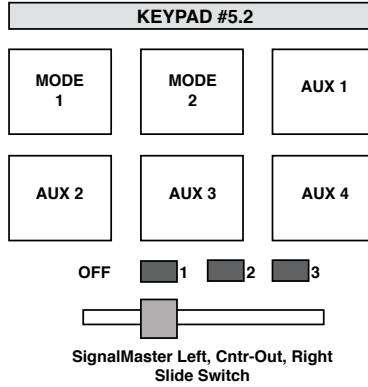
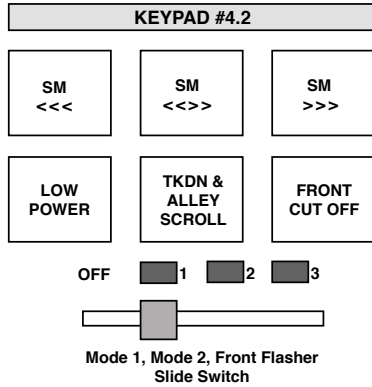
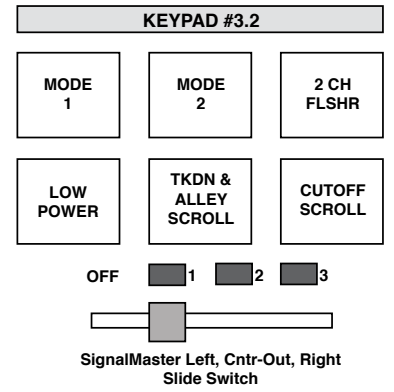
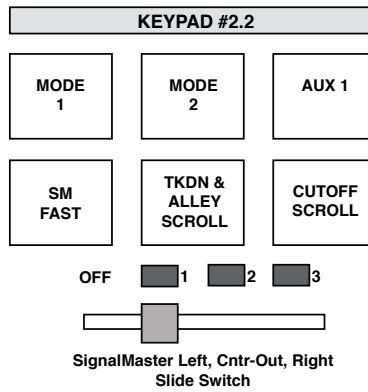
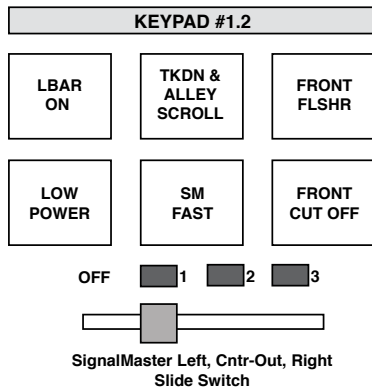
The six-button serial controller has been designed with an optional lockout feature. Once the desired keypad configuration and flash patterns have been selected, a permanent lockout feature can be enabled to place a “lock” on the power programming feature securing the programmed keypad configuration. (Once “locked”, the controller must be sent back to Federal Signal to be “unlocked”.)

#### Simplified Installation

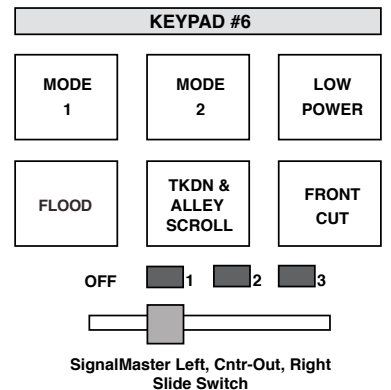
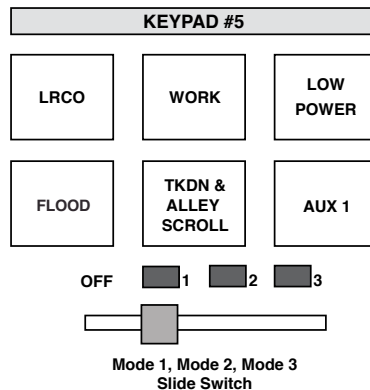
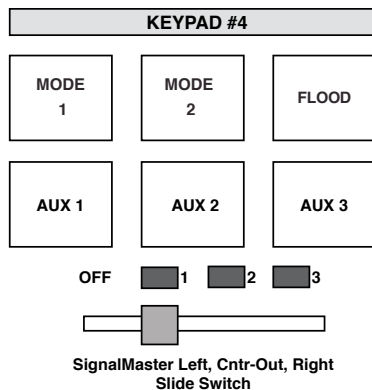
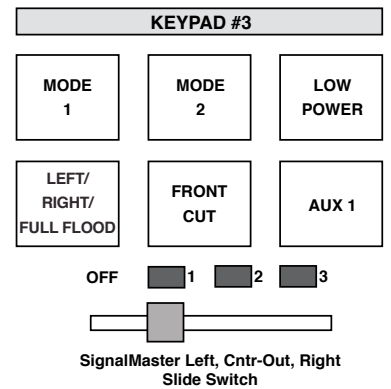
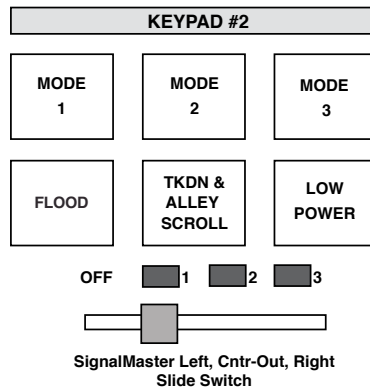
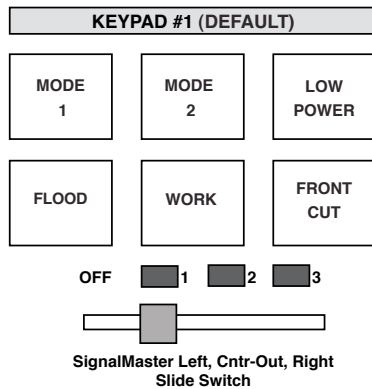
Federal Signal's Convergence Network product's plug-n-play cable connection system makes installation of the six-button serial controller quick and easy. Each six-button controller comes with a Velcro® dash-mount and swivel bracket.

# Six-Button Controller keypad configurations for Legend:

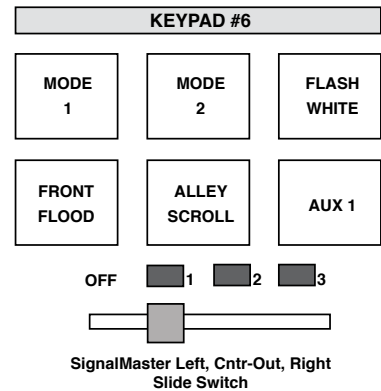
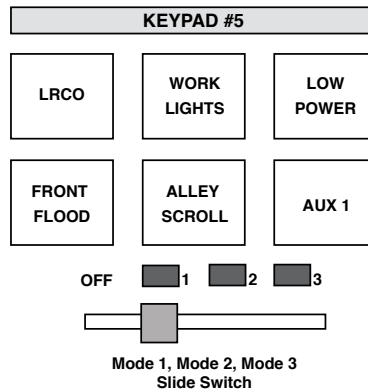
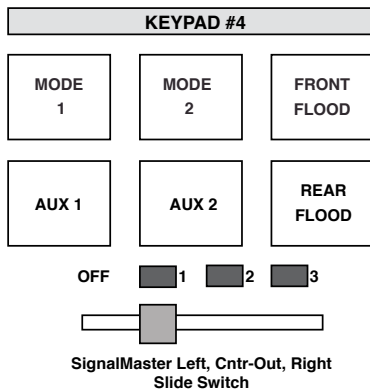
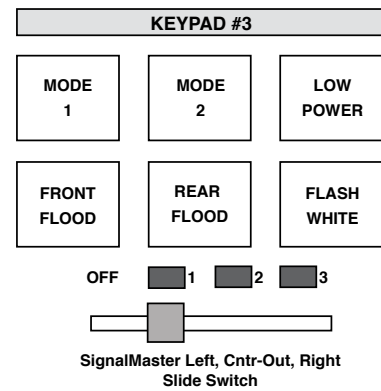
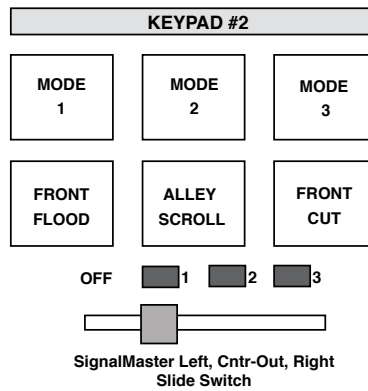
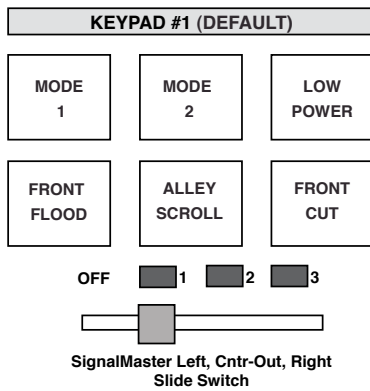




**Six-Button Controller keypad configurations for Integrity, Valor, CN SignalMaster, SpectraLux ILS:**



## Six-Button Controller keypad configurations for Navigator:



### HOW TO ORDER

Choose "Six-Button Controller" on one of the popular serial light bar models shown in the catalog, or visit our online Light bar Configurator at [www.config.fedsig.com/lightbar](http://www.config.fedsig.com/lightbar) to configure your own lightbar with six-button controller.

#### Replacement Part Numbers:

- 660000 Replacement six-button controller for Legend
- Z8623133A-VAL Replacement six-button controller for Valor, Integrity, CN SignalMaster, or SpectraLux ILS
- Z8623133A-NAV Replacement six-button controller for Navigator

Contact Federal Signal Service Department for replacement six-button controllers with special programming

### SPECIFICATIONS

#### Specifications

Operating Voltage	12 VDC
Amp Draw	N/A

#### Physical Dimensions

Width	2.9 in (7.4 cm)
Height	3.2 in (8.1 cm)
Depth	1.1 in (2.8 cm) [2.0 in (5.1 cm) with switches]

#### Ship Weight

0.29 lbs (0.13 kg)



Legend, Integrity, Valor, SignalMaster, Spectralux and Navigator are trademarks of Federal Signal Corporation. Velcro is a trademark of its respective owner.

©2017 Federal Signal Corporation. M9004 I 1217