



► Models AD-26, AD-27, AD-56 and AD-57

Atkinson Dynamics Wall Mount Intercoms

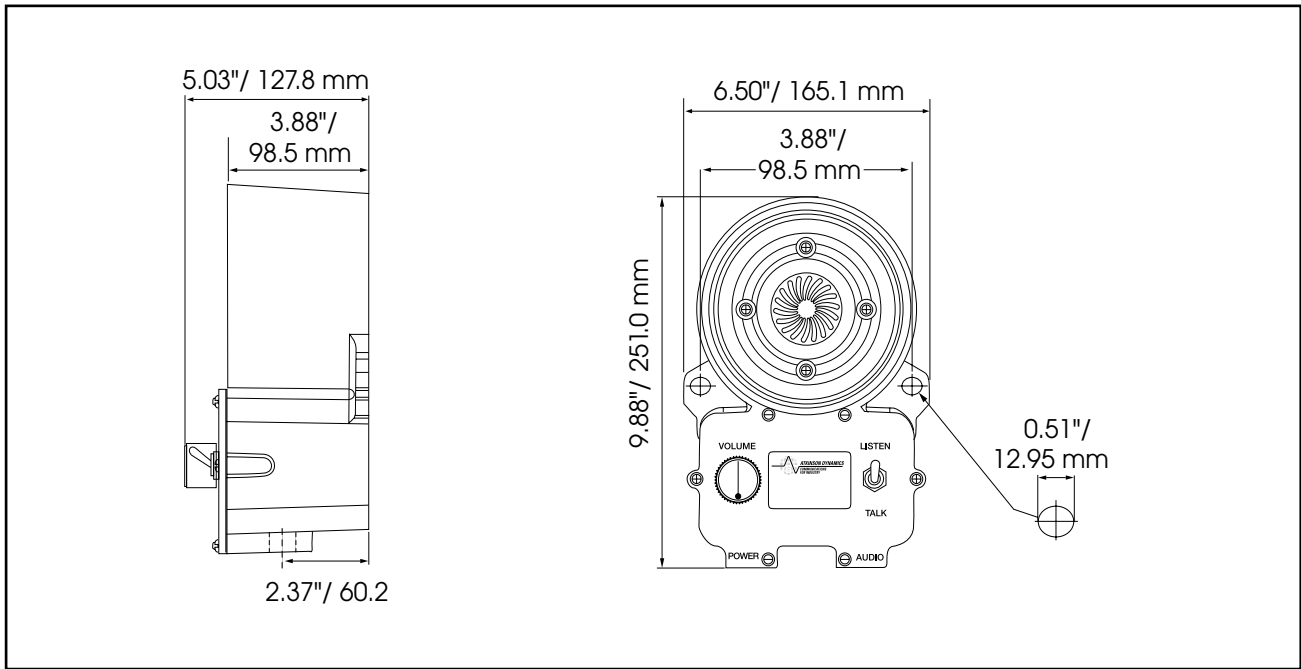
Designed for single-channel, two-way indoor and outdoor communication applications, Wall-Mount Intercoms feature integrated volume control, TALK/LISTEN switch, corrosion resistant cast aluminum housing with rugged powder coat finish (Type 4X enclosure), reliable 25-watt speaker, and balanced line output. These heavy duty units are UL and cUL listed, CSA Certified and Marine rated; and available in 12VDC, 24VDC, 120VAC, or 240VAC 50/60Hz models.

FEATURES

- Available in 12VDC, 24VDC, 120VAC, or 240VAC 50/60Hz
- Heavy-duty industrial intercom for indoor/outdoor application
- Single-channel, two-way communications
- Integrated volume control and Talk/Listen switch
- Balanced line output
- 25 watt speaker
- Cast aluminum housing with rugged powder coat finish
- Conformal coated PCB
- Type 4X enclosure
- Marine Listed
- UL and cUL Listed

MODEL	VOLTAGE	OPERATING CURRENT	STANDBY CURRENT	FREQUENCY RESPONSE
AD-26	12VDC	1.47 A	100 mA	320Hz - 8.0Khz
AD-27	120VAC 50/60Hz	240 mA	83 mA	320Hz - 8.0Khz
AD-56	24VDC	1.65 A	100 mA	320Hz - 8.0Khz
AD-57	240VAC 50/60Hz	127 mA	83 mA	320Hz - 8.0Khz

Atkinson Dynamics Wall Mount Intercoms (AD-26, AD-27, AD-56 and AD-57)



SPECIFICATIONS

Speaker Rating		25 watt
Operating Temperature	-31°F to 150°F	-35°C to 66°C
Net Weight	9 lbs	4.08 kg
Shipping Weight:		
AD-26	10.0 lbs	4.54 kg
AD-27	10.7 lbs	4.85 kg
AD-56	10.0 lbs	4.54 kg
AD-57	10.7 lbs	4.85 kg
Height	9.88"	251.0 mm
Width	6.50"	165.1 mm
Depth	5.03"	127.8 mm

HOW TO ORDER

Step 1: Specify Base Model

- AD-26** (12VDC, Wall Mount Intercom)
- AD-27** (120VAC, Wall Mount Intercom)
- AD-56** (24VDC, Wall Mount Intercom)
- AD-57** (240VAC, Wall Mount Intercom)

Step 2: Add Optional Features

Example Part Number: AD-27A

OPTIONAL FEATURES

Note: Not all optional features are available for every model. Please consult factory to confirm model variation availability.

Description	Optional Feature
Call Button, Sends call tone to other intercoms on the same audio line	A
Primary, controls Talk/Listen function of a Secondary unit	C
Secondary, allows hands free operation, default Talk mode	D
Foot Pedal Ready, hands free operation of the Talk/Listen switch, pedal sold separately (ADFP)	-2
Auxiliary Signal, remote call button activated contact closure to activate remote strobe for additional attention gathering*	-3
Zoned System Remote, designed to be a remote unit in a zoned system. (Contact factory for zone design assistance)	-6
Noise Canceling Microphone Ready, equipped with a jack for hand held microphone sold separately	-7
Pre-Amp Equipped, pre-amp to power a remote speaker	-8
Remote Volume Control Equipped, equipped with volume control for remote speaker	-M44

*LP3 strobe sold separately