



▶ Commander® COMFL Blue Forklift LED Safety Light | Accessories

FEATURES

- Ideal for alerting pedestrians and other vehicles that a forklift is approaching
- Die-cast aluminum housing with polycarbonate lens
- (2) 5W Blue LEDs
- 12/24 VDC
- Projects an intense, steady blue beam onto floor surface
- Compact design—approximately 3" deep and 3.8" wide
- Comes with a U-bracket—can be mounted to a forklift or other moving vehicle
- Multiple lights can be mounted to the forklift or vehicle to alert to the front, back and/or sides
- Two-year warranty

The Commander® COMFL Blue Forklift LED light is designed to improve work area safety. This safety light alerts pedestrians and other vehicles with a steady blue signal warning that a forklift is approaching. COMFL contains (2) 5W Blue LEDs which projects an intense, steady beam onto the floor surface of the forklift.

The Commander COMFL safety light has a compact design that is about 3" deep and 3.8" wide. The safety light comes with a U-bracket to mount to the front, back, or sides of a forklift. COMFL features a die-cast aluminum housing with polycarbonate lens and is available as a 12/24 VDC model.



HOW TO ORDER

COMFL1-B Blue LED Spot Light

SPECIFICATIONS

Voltage	12/24 VDC
Current Draw	0.5 A @ 12.8 VDC
Operating Temp	-30° to 80°C

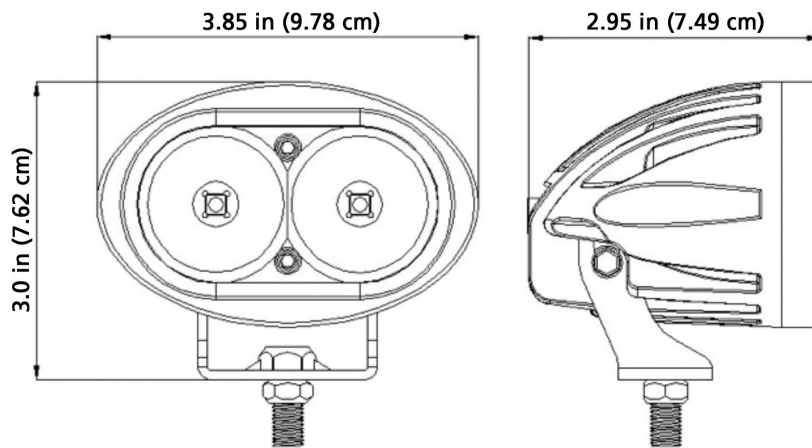
Physical Specifications

Height	3.0 in (7.62 cm)
Length	3.85 in (9.78 cm)
Depth	2.95 in (7.49 cm)

Ship Weight

1.0 lb (0.45kg)

DIAGRAMS



Commander is a registered trademark of Federal Signal Corporation.

©2017-2018 Federal Signal Corporation. M8034 | 0618