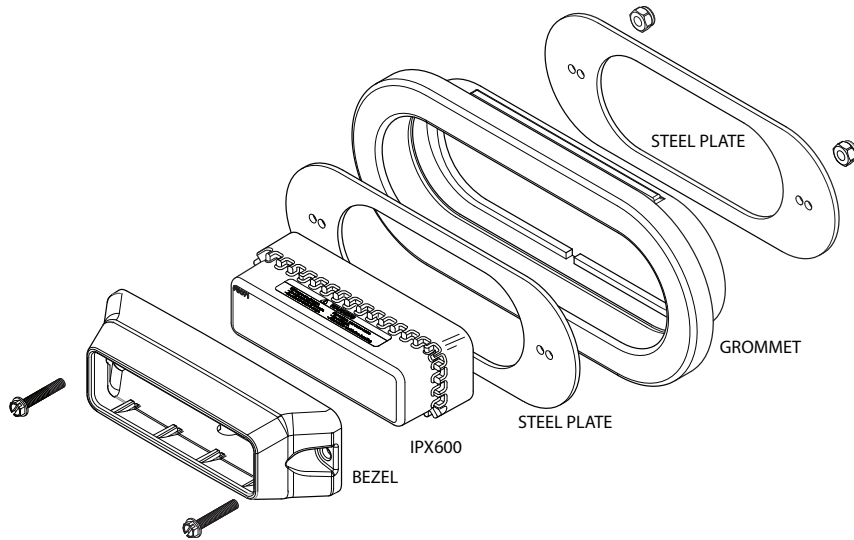


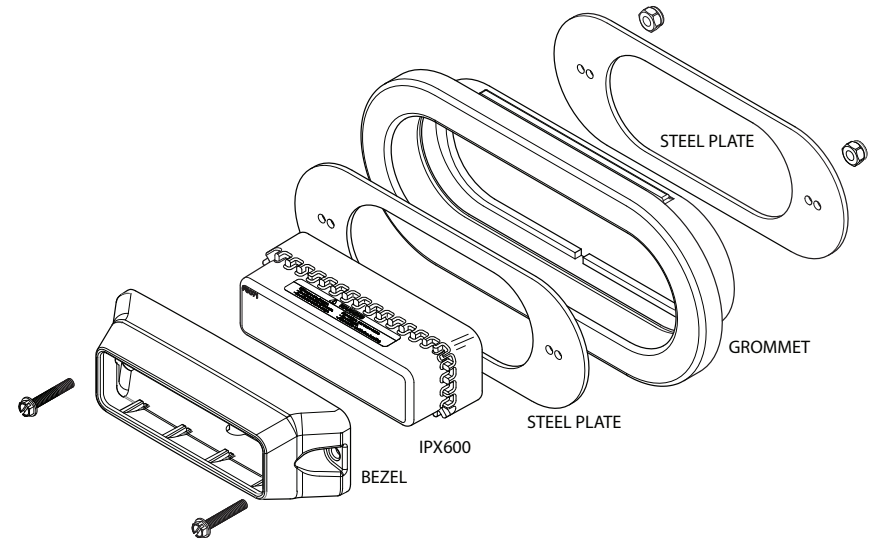
Installation Instructions for the IPX Grommet Mount



To assemble the grommet mount to the light:

1. Place one plate inside the oval grommet.
2. Place the IPX600 into the bezel.
3. Place the IPX600 bezel against the plate in the grommet
4. Place the second plate against the back of the grommet and align the holes. Ensure that the lip of the grommet is even between both plates.
5. Use the provided screws and nuts to attach the plates through the assembly and into the bezel.
6. Connect the wiring as described in the instructions included with the IPX lights.
7. Insert the assembly into the oval opening.

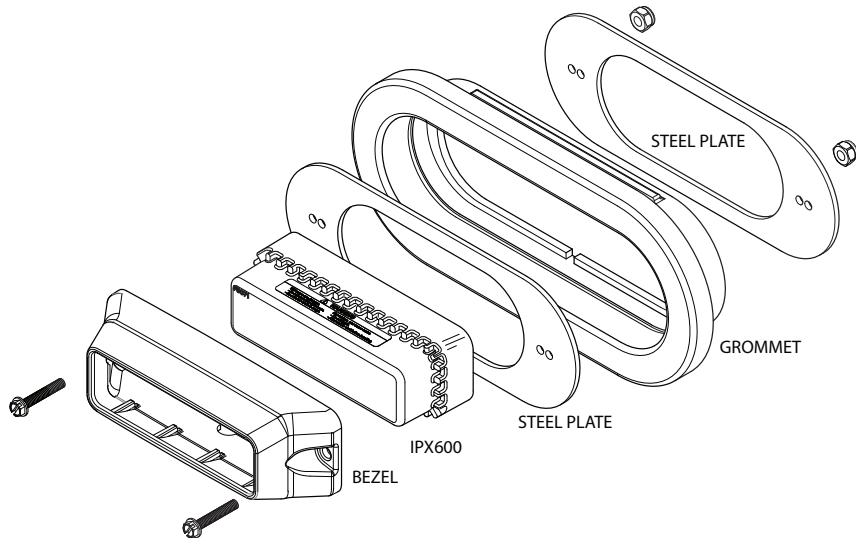
Installation Instructions for the IPX Grommet Mount



To assemble the grommet mount to the light:

1. Place one plate inside the oval grommet.
2. Place the IPX600 into the bezel.
3. Place the IPX600 bezel against the plate in the grommet
4. Place the second plate against the back of the grommet and align the holes. Ensure that the lip of the grommet is even between both plates.
5. Use the provided screws and nuts to attach the plates through the assembly and into the bezel.
6. Connect the wiring as described in the instructions included with the IPX lights.
7. Insert the assembly into the oval opening.

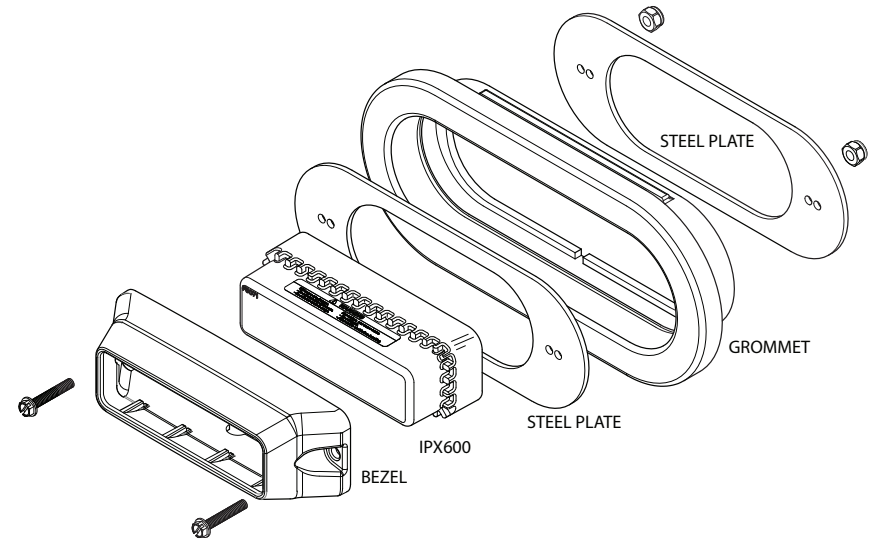
Installation Instructions for the IPX Grommet Mount



To assemble the grommet mount to the light:

1. Place one plate inside the oval grommet.
2. Place the IPX600 into the bezel.
3. Place the IPX600 bezel against the plate in the grommet
4. Place the second plate against the back of the grommet and align the holes. Ensure that the lip of the grommet is even between both plates.
5. Use the provided screws and nuts to attach the plates through the assembly and into the bezel.
6. Connect the wiring as described in the instructions included with the IPX lights.
7. Insert the assembly into the oval opening.

Installation Instructions for the IPX Grommet Mount



To assemble the grommet mount to the light:

1. Place one plate inside the oval grommet.
2. Place the IPX600 into the bezel.
3. Place the IPX600 bezel against the plate in the grommet
4. Place the second plate against the back of the grommet and align the holes. Ensure that the lip of the grommet is even between both plates.
5. Use the provided screws and nuts to attach the plates through the assembly and into the bezel.
6. Connect the wiring as described in the instructions included with the IPX lights.
7. Insert the assembly into the oval opening.