

2562292 REV. A1 0920

Safety Message to Installers of Warning Light Equipment

⚠ WARNING

People's lives depend on your proper installation and servicing of Federal Signal products. It is important to read and follow all instructions shipped with this product and the original product. Listed below are some other important safety instructions and precautions you should follow:

- To properly install a light assembly, you must have a good understanding of automotive electrical procedures and systems, along with proficiency in the installation and use of safety warning equipment.
- If a vehicle seat is temporarily removed, verify with the vehicle manufacturer if the seat needs to be recalibrated for proper airbag deployment.
- When drilling into a vehicle structure, ensure that both sides of the surface are clear of anything that could be damaged.
- To be an effective warning device, this product produces bright light that can be hazardous to your eyesight when viewed at close range. Do not stare directly into this lighting product at close range, or permanent damage to your eyesight may occur.
- Frequently inspect the light system to ensure that it is operating properly and is securely attached to the vehicle.
- Refer to the instruction sheets included with related products for additional precautions and information
- File these instructions in a safe place and refer to them when maintaining or reinstalling the product.

Failure to follow all safety precautions and instructions may result in property damage, serious injury, or death.

Overview

This publication provides additional instructions for the installation of a separately purchased mounting system for Federal Signal light bars on vehicle roofs. Installation of this hook kit requires the use of parts from the mounting system. Before proceeding, read and understand all instructions included with the mounting system.

Unpacking the Kit

After unpacking the kit, inspect it for damage that may have occurred in transit. If it has been damaged, do not attempt to install or operate it. File a claim immediately with the carrier, stating the extent of the damage. Carefully check all envelopes, shipping labels, and tags before removing or destroying them. Ensure that the parts listed in Table 1 on page 2 are included in the package. If you are missing any parts, contact Customer Support at 1-800-264-3578, 7 a.m. to 5 p.m., Monday through Friday (CT).

Table 1 Kit contents

Qty.	Description	Part Number
2	Hook	Varies
6	Screw, #10 Thd. Frm.	7011196-08
2	Pad, Mounting	8552492

Preparing the Mounting Surface

CAUTION

HEAVY OBJECT: Use lifting aids and proper lifting techniques when removing or replacing this product. Failure to follow this warning may cause personal injury.

To prepare the mounting surface for the light bar:

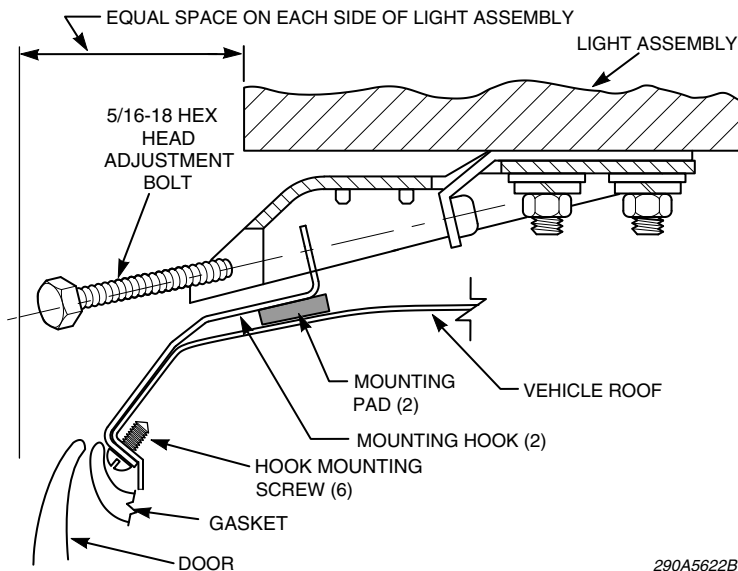
1. Place the light bar assembly on the vehicle roof. The assembly is usually centered over the B-pillar. Refer to the instructions included with the mounting system kit for additional information.

NOTICE

WATER LEAKAGE: Water may leak into the vehicle interior if the hook is improperly positioned. Ensure that the hook is positioned above or near the door post.

2. Determine where the hook will attach to the vehicle.
3. Place the hook in position on the roof sheet metal as shown in Figure 1.

Figure 1 Light bar attached with hook kit to vehicle



4. Use the hook as a template to mark the three hole locations.

NOTICE

DRILLING PRECAUTIONS: Check the area into which you are drilling to ensure that you do not damage vehicle components. All drilled holes should be deburred and all sharp edges should be smoothed. All wire routings going through drilled holes should be protected by a grommet or convolute/split loom tubing.

5. Drill three 0.136-inch diameter holes (#29 drill bit) at the marked locations.
6. Apply a silicone sealant around the holes before attaching the hook.

Installing the Hook

To install the hook:

1. To protect the roof surface, peel the packing from the adhesive mounting pad and attach the pad to the bottom of the hook. See Figure 1 on the previous page.
2. Secure the hook using the three #10 thread-forming screws (Figure 1).
3. Attach the hook to the mounting bracket using a 5/16-18 hex head bolt of the appropriate length. Tighten the bolt only finger tight at this time.
4. Prepare and attach the other hook in the same manner as the first hook.

NOTICE

Excessive tightening of the hook adjustment bolts can cause damage to the light bar, mounting system, or the vehicle's roof.

CAUTION

Ensure that the mounting kit is correct for the vehicle, and only use the supplied mounting kit hardware. If the mounting bracket is improperly assembled, the light assembly could fly off the vehicle, causing injury or damage.

5. Torque the adjustment bolts 6 ft-lb to 7 ft-lb and install keeper plates.

IMPORTANT: Frequently inspect the lightbar to ensure that all fasteners and brackets are tight.

Ordering Replacement Parts

To order replacement parts, please contact your local dealer/distributor or:

Customer Support
Federal Signal Corporation
Phone: 1-800-264-3578
7 a.m. to 5 p.m., Monday through Friday (CT)

Getting Technical Support

For technical support, please contact:

Federal Signal Corporation
Service Department
Phone: 1-800-433-9132
Fax: 1-800-343-9706
Email: empSERVICEINFO@fedSIG.com

Getting Repair Service

The Federal Signal factory provides technical assistance with any problems that cannot be handled locally. Any product returned to Federal Signal for service, inspection, or repair must be accompanied by a Return Material Authorization (RMA). Obtain a RMA from a local Distributor or Manufacturer's Representative. Provide a brief explanation of the service requested, or the nature of the malfunction.

Address all communications and shipments to the following:

Federal Signal Corporation
Service Department
2645 Federal Signal Dr.
University Park, IL 60484-3167

Limited Warranty

This product is subject to and covered by a limited warranty, a copy of which can be found at www.fedsig.com/SSG-Warranty. A copy of this limited warranty can also be obtained by written request to Federal Signal Corporation, 2645 Federal Signal Drive, University Park, IL 60484, email to info@fedsig.com or call +1 708-534-3400.

This limited warranty is in lieu of all other warranties, express or implied, contractual or statutory, including, but not limited to the warranty of merchantability, warranty of fitness for a particular purpose and any warranty against failure of its essential purpose.



2645 Federal Signal Drive
University Park, Illinois 60484-3167

www.fedsig.com

Customer Support

Police/Fire-EMS: 800-264-3578 • +1 708 534-3400

Work Truck: 800-824-0254 • +1 708 534-3400

Technical Support: 800-433-9132 • +1 708 534-3400

© Copyright 2011-2020 Federal Signal Corporation

All product names or trademarks are property of their respective owners.