



Shown with optional swivel mounting bracket

► Model P-LS70

Corrosion Resistant Loudspeaker

Federal Signal's corrosion resistant loudspeaker, Model P-LS70, is designed for use in industrial public address and general alarm applications, where corrosion resistance is required. Model P-LS70 loudspeaker is certified IP66 for ingress of dust and strong water jets.

The P-LS70 loudspeaker is manufactured from corrosion resistant, anti-static glass-reinforced polyester (GRP), and is designed to accept an audio input of 70 Vrms. Each speaker is transformer coupled with a maximum power output of 25 watts and is supplied with 10 preset taps (25, 20, 15, 10, 5, 2, 1.5, 1, 0.5 and 0.2 watts) to adjust sound output.

Mounting is provided by a "common template" stainless-steel ratcheted mounting bracket that locks the sounder in position at a specific angle without slipping. The bottom surface of the standard mounting bracket contains three slotted mounting holes.

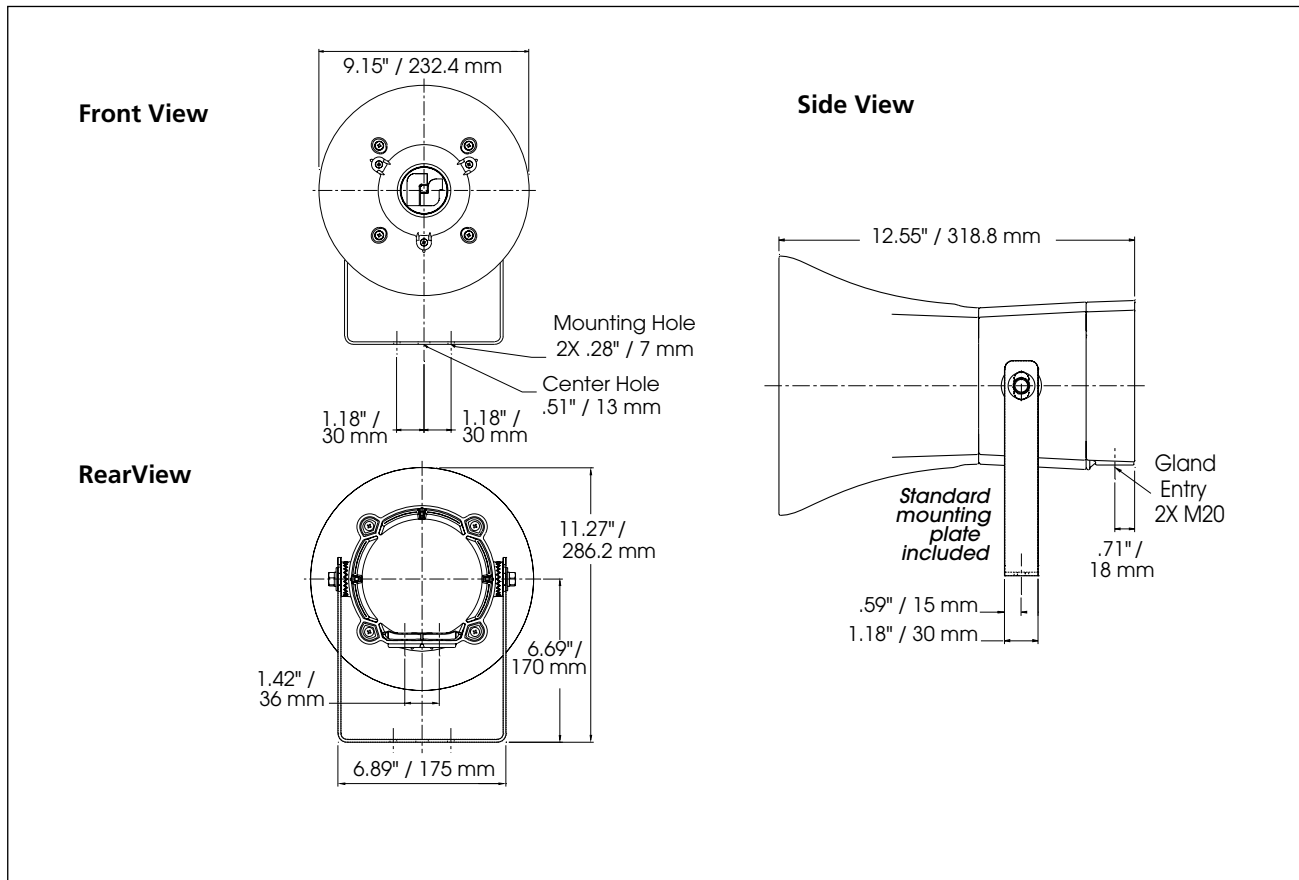
Connection for field wiring is provided by two M20 x 1.5 mm threaded openings in the bottom of the rear cover and terminated via internal terminal blocks. All external hardware is manufactured from stainless steel to resist corrosion and provide serviceability for years to come.

FEATURES

- Corrosion resistant Anti-Static GRP (Glass-Reinforced Polyester) Design
- U-Mounting bracket included, optional swivel mount bracket available
- Stainless-steel hardware
- Indoor/outdoor use
- IP66 rated

MODEL	POWER HANDLING	FREQUENCY RESPONSE	POWER TRANSFORMER	TAPS	DECIBELS	
					10'	1M
P-LS70	25 watt	350 - 5kHz	70 Vrms	25, 20, 15, 10, 5, 2, 1.5, 1, 0.5, 0.2	115	125

Corrosion Resistant Loudspeaker (P-LS70)



SPECIFICATIONS

Operating Temperature:	-50°C to 70°C	
Gland Entries:	2 x M20 x 1.5 mm	
Cable Terminations:	0.5 – 4 mm ² (22-12 AWG) Conductors	
Material:	Glass-Reinforced Polyester (GRP)	
Color:	Black	
Audio Input:	70 Vrms	
Audio Output (Peak):	(max.) 125 dB @ 25 watts (1 meter)	
Frequency Response:	350 – 5kHz	
Diameter:	9.15"	232.4 mm
Height:	11.27"	286.2 mm
Length:	12.55"	318.8 mm
Net Weight:	13.0 lbs	5.9 kg
Shipping Weight:	15.3 lbs	6.9 kg

HOW TO ORDER

Specify Model:

P-LS70 – Corrosion Resistant Loudspeaker

OPTIONAL ACCESSORIES

Description	Part Number
Swivel Mounting Bracket	K8595172A

REPLACEMENT PARTS

Description	Part Number
Standard Mounting Bracket Kit	K8595171A
Swivel Mounting Bracket Kit	K8595172A
Rear Cover Gasket Kit ¹	K859500361A

¹ Includes fuse module