



(Shown with pendant mount. See how to order for mounting options)









► Model FSEX

# Explosion-Proof Strobe Lights

Federal Signal's Model FSEX explosion-proof strobe light produces (80) high-intensity flashes per minute. This warning light operates on 24 Vdc and is unique to the market because it covers an entire range of possible mounting configurations, including dome up. This light is designed for use in alarm notification systems and is compatible with fire alarm and suppression supervised control panels and power boosters.

The 24 Vdc FSEX features a voltage in-rush limiting PCB design that provides greater compatibility with factory automation control systems and less electrical interference with in-rush sensitive devices.

Federal Signal's Model FSEX is specifically designed for explosion-proof atmospheres and/or corrosive environments. Because it is easy to install and requires very low maintenance, it is ideal for use in areas such as oil rigs, mines, refineries, and chemical plants.

		<b>LENS COLOR OPTIONS</b>    	<b>LOW IN-RUSH</b>
---	---	--	--------------------

## FEATURES

- Approved for mounting in any manner—including dome up
- Synchronize with SSM module (sold separately)
- (4) lens colors: Amber, Blue, Clear, and Red
- 10,000-hour strobe tube
- 3/4-inch NPT pendant, ceiling and wall mount options available
- Dome guard optional
- Conformal coated PCB
- Type 4X, IP66 enclosure
- IP69K compliant
- Marine Rated
- CSFM Approved
- UL and cUL listed for Class I, Division 1, Groups C and D; Class I, Division 2, Groups A, B, C and D; Class II, Groups E, F and G; Class III

MODEL	VOLTAGE	OPERATING CURRENT	FLASH RATE / MINUTE	CANDELA PEAK <sup>2</sup>	ECP <sup>3</sup>
<b>FSEX-24PM* -MOD<sup>1</sup></b>	24 Vdc	1.90 A (3.0 A in-rush)	80	2,000,000	850

\* Indicates color: (A) Amber, (B) Blue, (C) Clear, or (R) Red

<sup>1</sup> See "how to order" for mounting options.

<sup>2</sup> Peak candela is the maximum light intensity generated by a flashing light during its light pulse

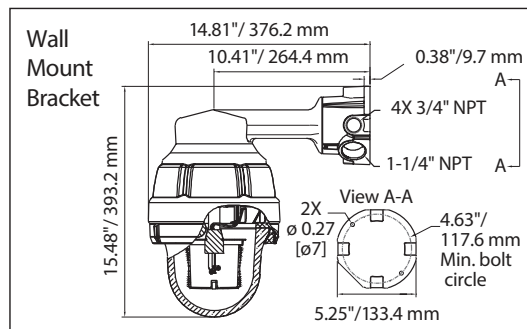
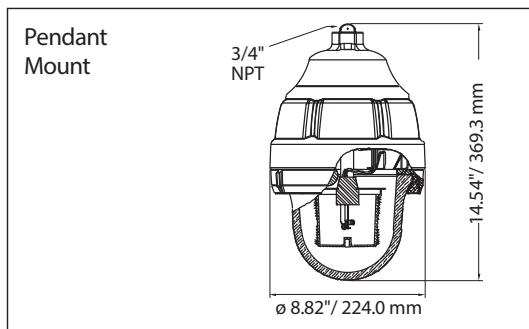
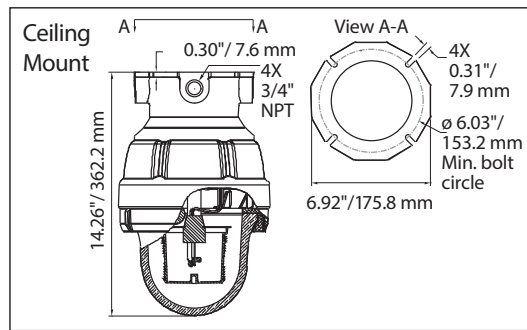
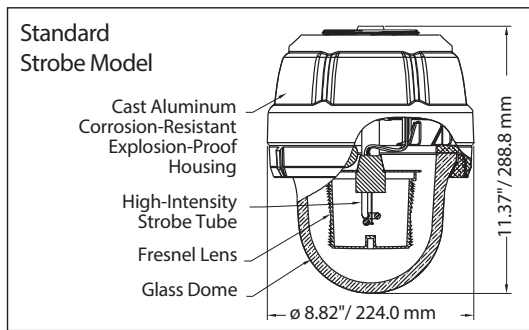
<sup>3</sup> ECP (Effective Candela) is the intensity that would appear to an observer if the light were burning steadily

### HAZARDOUS LOCATION RATING: FSEX

T-CODE AT MAXIMUM AMBIENT TEMPERATURE, °C

Hazardous Location	40°C	65°C
Class I, Division 1, Groups C, D	T6	T4A
Class I, Division 2, Groups A, B, C, D	T2	T2
Class II, Division 1, Groups E, F, G	T6	T4A
Class III	T6	T4A

# Explosion-Proof Strobe Lights (FSEX)



## SPECIFICATIONS

Lamp Life:	10,000 Hours
Light Source:	Strobe tube
Operating Temperature Range:	-67° to 150°F (-55° to 66°C)
Net Product Weight:	
Signal without Mounting:	13.9 lb (6.3 kg)
Ceiling Mount:	4.5 lb (2.0 kg)
Pendant Mount:	2.0 lb (0.9 kg)
Wall Mount:	5.9 lb (2.7 kg)

## ACCESSORIES

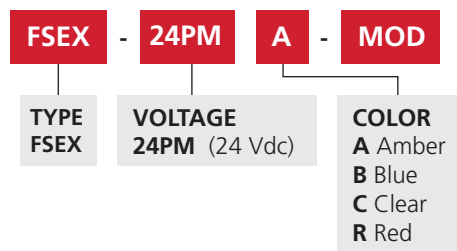
Description	Part Number
Dome Guard	DGXC-SB
Strobe Synchronization Module	SSM

## HOW TO ORDER

### Specify Optional Mounting:\*

Description	Part Number
Ceiling Mount	CMXC-R-SB
Pendant Mount	PMXC-R-SB
Wall Mount	WMXC-4R-SB

\* Mounting kit must be ordered with unit, sold separately



## REPLACEMENT PARTS

Description	Part Number
Exterior Dome Assembly, Red	K8436147A-01
Interior Lens Assembly, Amber	K8550C095A-02
Interior Lens Assembly, Blue	K8550C095A-01
Interior Lens Assembly, Clear	K8550C095A
Interior Lens Assembly, Red	K8550C095A-03
24 Vdc Mechanism	K8436107F-03
Strobe Tube	K8107159A
PC Assembly, 24 Vdc	K2001918B-01