

25500240 Rev. A0 0915

## **Safety Message to Installers and Service Personnel of Emergency Vehicle Safety Equipment**

### **⚠ WARNING**

The lives of people depend on your proper installation and servicing of Federal Signal products. It is important to read and follow all instructions shipped with this product. In addition, listed below are some other important safety instructions and precautions you should follow:

#### **Before Installation or Service**

##### *Qualifications*

- To properly install or service this equipment, you must have a good understanding of automotive electrical procedures and systems along with proficiency in the installation and service of safety warning equipment. Always refer to the vehicle service manuals when installing equipment on a vehicle.

##### *Electrical Hazards*

- Never attempt to install aftermarket equipment that connects to the vehicle wiring without reviewing a vehicle wiring diagram available from the vehicle manufacturer. Ensure that your installation will not affect vehicle operation and safety functions or circuits.

#### **During Installation or Service**

- To avoid a battery explosion, always disconnect the negative battery cable first and reconnect it last. Avoid a spark when connecting near or to the battery. The gasses produced by a battery can cause a battery explosion that could result in vehicle damage and serious injury.
- Do not install equipment or route wiring or a plug-in cord in the deployment path of an airbag.
- Before mounting any components, check the manual to be sure that the component you are installing is suitable for use in that area of the vehicle. Many components are not suitable for use in the engine compartment or in other areas subject to extreme environmental exposure.
- When drilling into a vehicle structure, be sure that both sides of the surface are clear of anything that could be damaged. Remove all burrs from drilled holes to prevent electrical shorts, grommet all drilled holes through which wiring passes. Also ensure that mounting screws do not cause electrical or mechanical damage to the vehicle.

#### **After Installation or Service**

- If a vehicle seat is temporarily removed, verify with vehicle manufacturer if the seat needs to be recalibrated for proper airbag deployment.
- To ensure proper operation, test all vehicle functions, including horn operation, vehicle safety functions, and vehicle light systems. Ensure that installation has not affected vehicle operation or changed any vehicle safety function or circuit.
- After installation and testing are complete, provide a copy of these instructions to instructional staff and all operating personnel.
- File these instructions in a safe place and refer to them when maintaining and/or reinstalling the product.

Failure to follow all safety precautions and instructions may result in property damage, serious injury, or death.

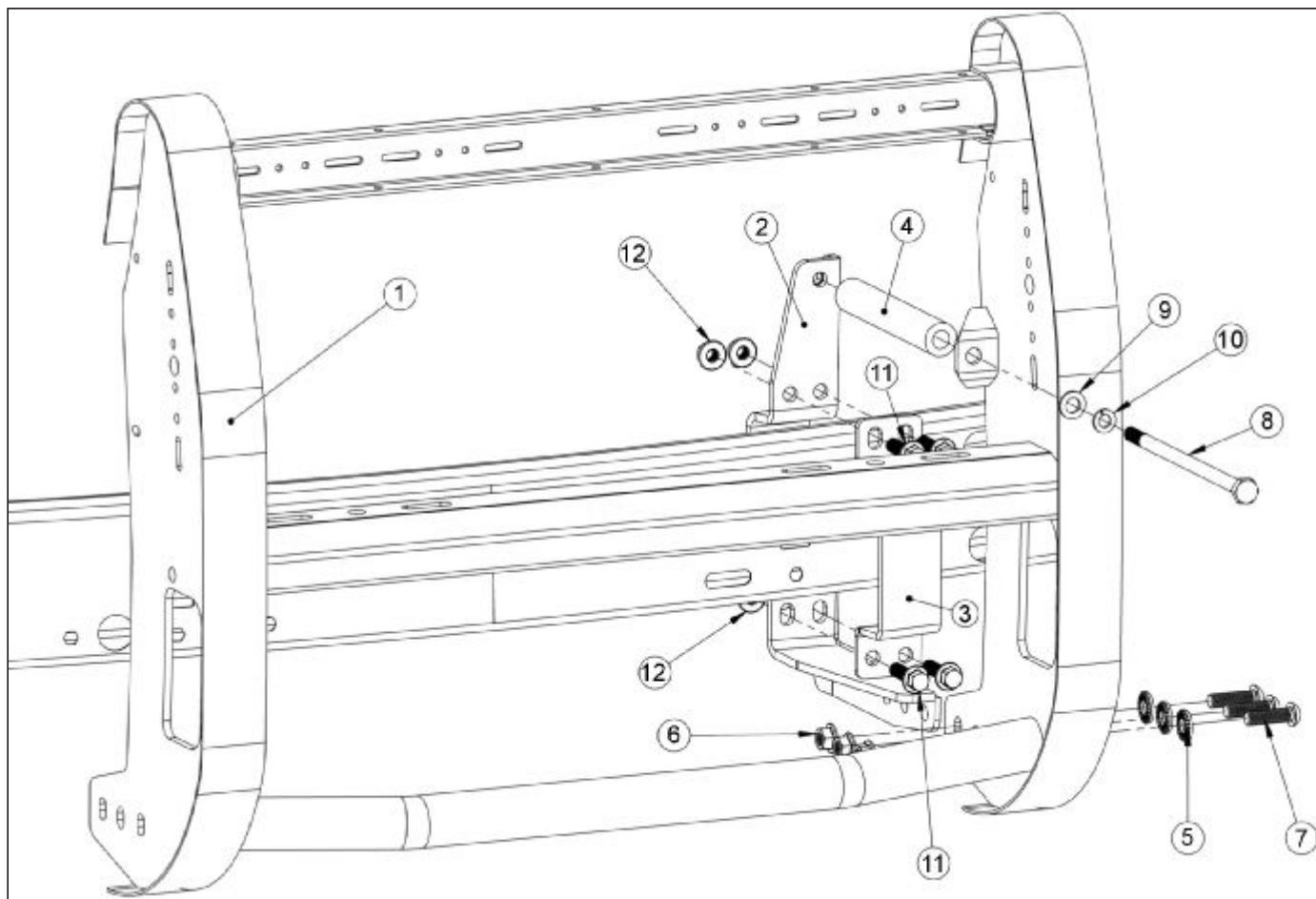
## Unpacking the Product

After unpacking the product, inspect it for damage that may have occurred in transit. If it has been damaged, do not attempt to install or operate it. File a claim immediately with the carrier, stating the extent of damage. **Failure to identify damage before installation could lead to rejection of any claim.** Carefully check all envelopes, shipping labels, and tags before removing or destroying them. Ensure that the parts listed in Table 1 are included in the package. If you are missing any parts, contact Federal Signal Customer Support at 1-800-264-3578, 7 a.m. to 5 p.m., Monday through Friday (CT). Disposal of all shipping materials must be carried out in accordance with national and local codes and standards.

**Table 1**

<b>Item</b>	<b>Qty.</b>	<b>Description</b>	<b>Tools Needed</b>
1	1	Push Bar Assembly	Ratchet
2	2	Mounting Bracket (driver side shown)	Screwdriver
3	2	Clamp Bracket (driver side shown)	14 mm Wrench
4	2	Upper Support Tube	Allan Wrench
5	6	M10 Cupped Washer (Stainless Steel)	15 mm Socket
6	6	M10 Flange Nut (Stainless Steel)	16 mm Socket
7	6	M10 Hex Socket Button-Head Screw (Stainless Steel)	10 mm Socket
8	2	M10 Long Hex Bolt (Black Zinc)	7 mm Socket
9	2	M10 Flat Washer (Stainless Steel)	Ratchet Extension
10	2	M10 Lock Washer (Stainless Steel)	Torque Wrench
11	8	M10 Flange Bolt (Yellow Zinc)	Utility Knife
12	8	M10 Flange Nut (Yellow Zinc)	Transfer Punch
--		--	Hole Saw

Figure 1



## Installing the Push Bar

### **⚠ WARNING**

**PUSH BUMPER PRECAUTION:** Installing a push bumper on a vehicle may raise the vehicle's minimum collision speed for airbag deployment. It is imperative that police officers wear safety belts when operating their motor vehicle. Failure to follow this warning may cause serious injury or death.

### **NOTICE**

**THREAD DAMAGE AND GALLING:** To prevent thread damage and galling, anti-seize lubricant must be used on all stainless steel fasteners.

To install the push bar:

1. Remove the entire front grille and fascia (referred to as front clip) from the front of the vehicle. There are a number of plastic fasteners and metal screws holding it on. Care should be taken not to damage the clip as it is removed (Figures 2 to 7 on page 4). For 2015 models, there are additional fasteners hidden underneath the inner fender which can be accessed by reaching in between the plastic inner fender and outer fender. See Figure 8 on page 5.

Figure 2

Pop off the plastic radiator covers.

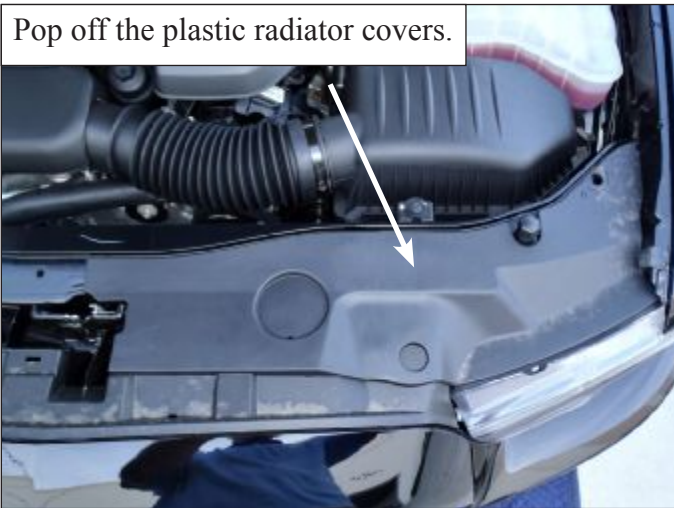
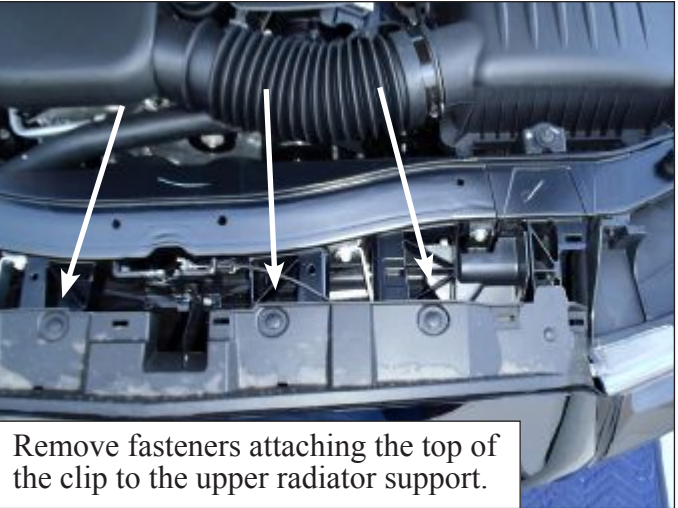


Figure 3



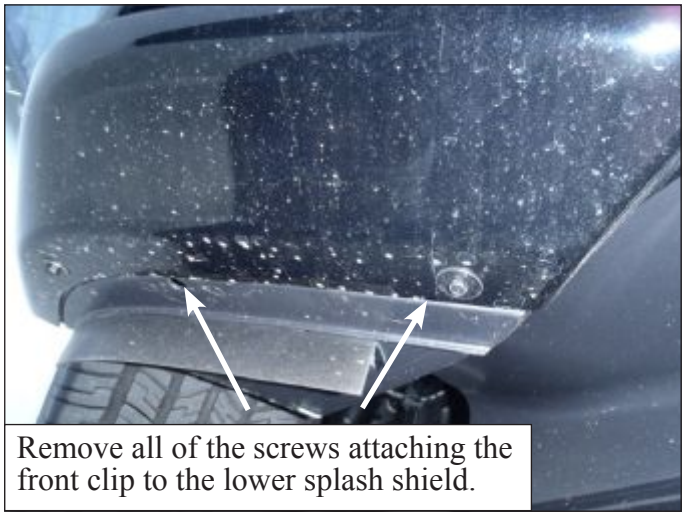
Remove fasteners attaching the top of the clip to the upper radiator support.

Figure 4

Remove the plastic fasteners holding the inner fender to the front clip.

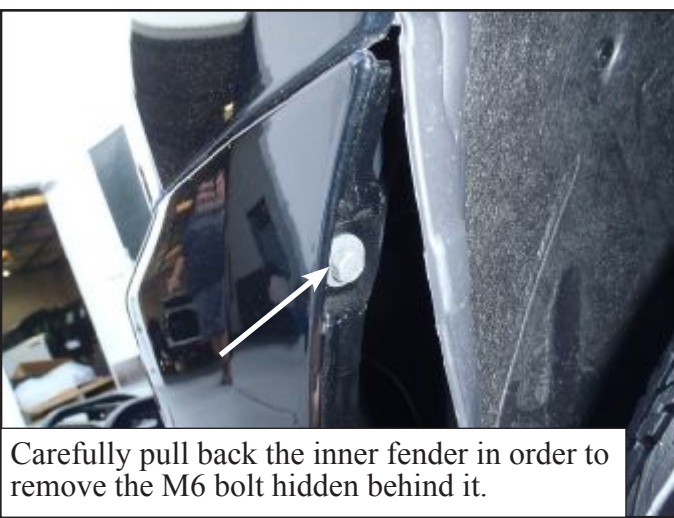


Figure 5



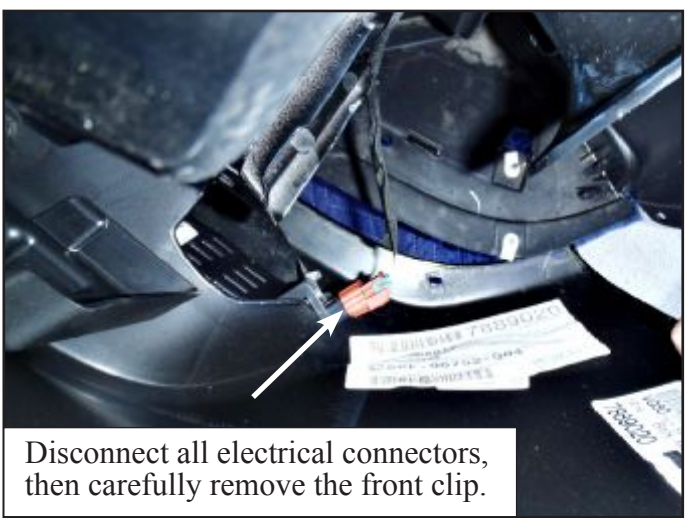
Remove all of the screws attaching the front clip to the lower splash shield.

Figure 6



Carefully pull back the inner fender in order to remove the M6 bolt hidden behind it.

Figure 7



Disconnect all electrical connectors, then carefully remove the front clip.

2. After you remove the front clip, loosely attach the mounting brackets and clamp the brackets to the exposed steel bumper bar using the M10 yellow zinc-plated flange nuts and bolts Figure 9.
3. Center the brackets, then adjust them to 26-1/4" to 26-5/16" apart. Tighten and torque the M10 hardware to 30-35 ft-lb (Figure 10 on page 6).
4. Trim the plastic bumper channel and lower grille insert as necessary then reinstall the front clip on the vehicle in the opposite order that it was removed (Figure 11 on page 6).

**Figure 8**



**Figure 9**



6. Loosely attach the push bar to the mounting brackets using the M10 button head bolts, cupped washers and black flange nuts (Figure 12 on page 6). Refer to Figure 1 on page 3 for an illustration showing the driver-side assembly of the push bar mounted on the steel bumper bar.
7. **A. (2011-2014 Models)** Trim the upper grille insert as necessary in order to slip the upper support tube in between the push bar and the top of the mounting brackets. Use the long M10 hex bolts, flat washers, and lock washers to secure the push bar to the mounting brackets (Figure 13 on page 6).  
**B. (2015 Models)** Refer to Figure 14 and 15 on page 7 for a picture showing the location of the hole cutouts on the front grille of the vehicle to allow installation of the upper support tubes.  
**IMPORTANT: With the help of an assistant, make sure the push bar is held in place to avoid misalignment when carrying out the cut outs.** Starting on the drivers side, identify the mounting tab on the push bar shown in Figure 14. Once the holes have been cut out, insert the upper support tubes between the push bar and the top of the mounting brackets. Secure the push bar to the mounting brackets using the long M10 hex bolts, flat washers, and lock washers.
8. Align and adjust the push bar as necessary. Tighten and torque all remaining M10 fasteners to 30-35 ft-lb.

Figure 10

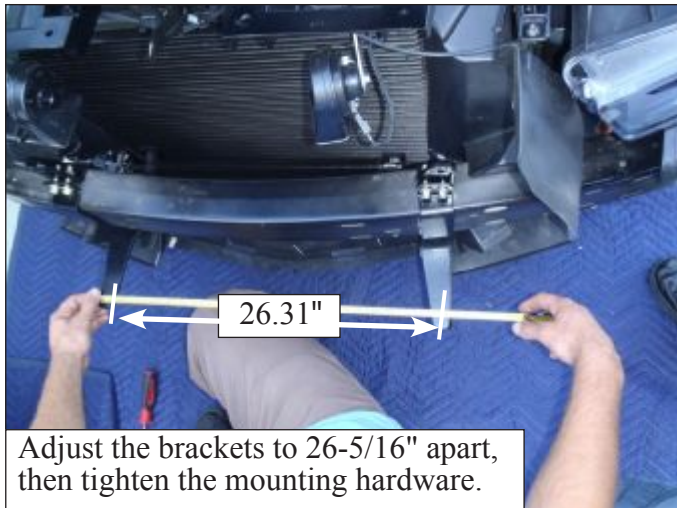


Figure 11

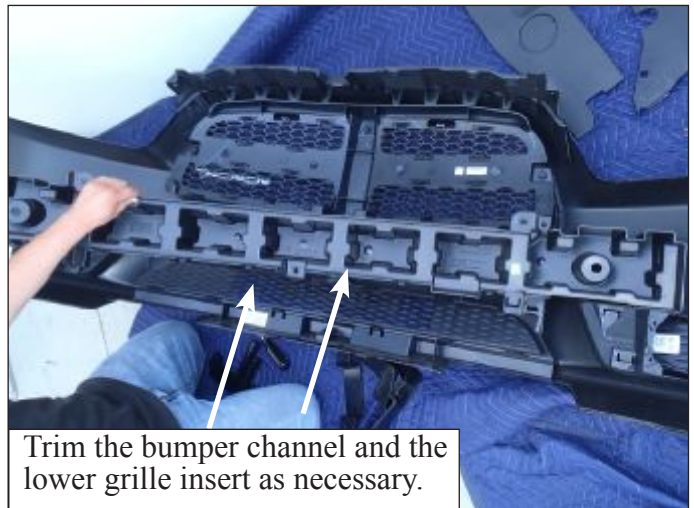


Figure 12

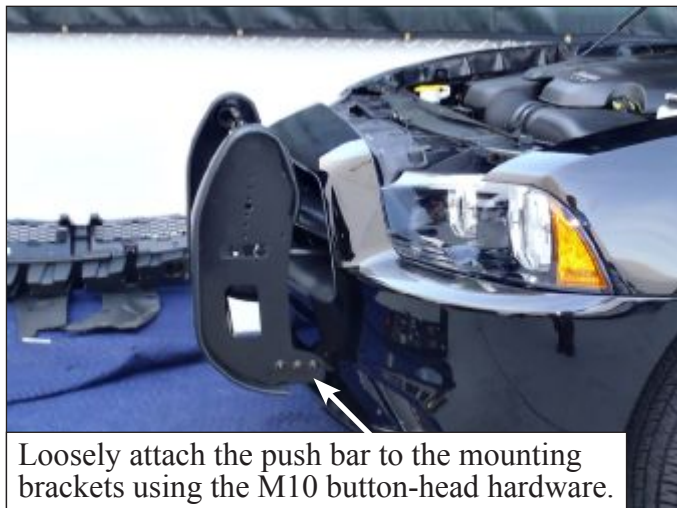


Figure 13

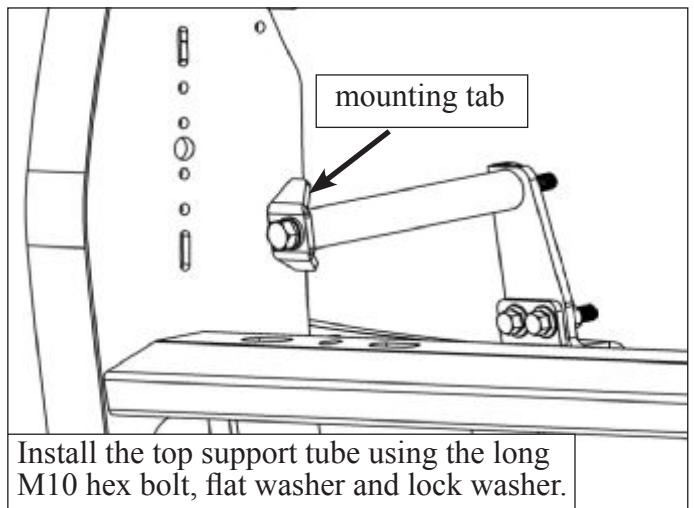
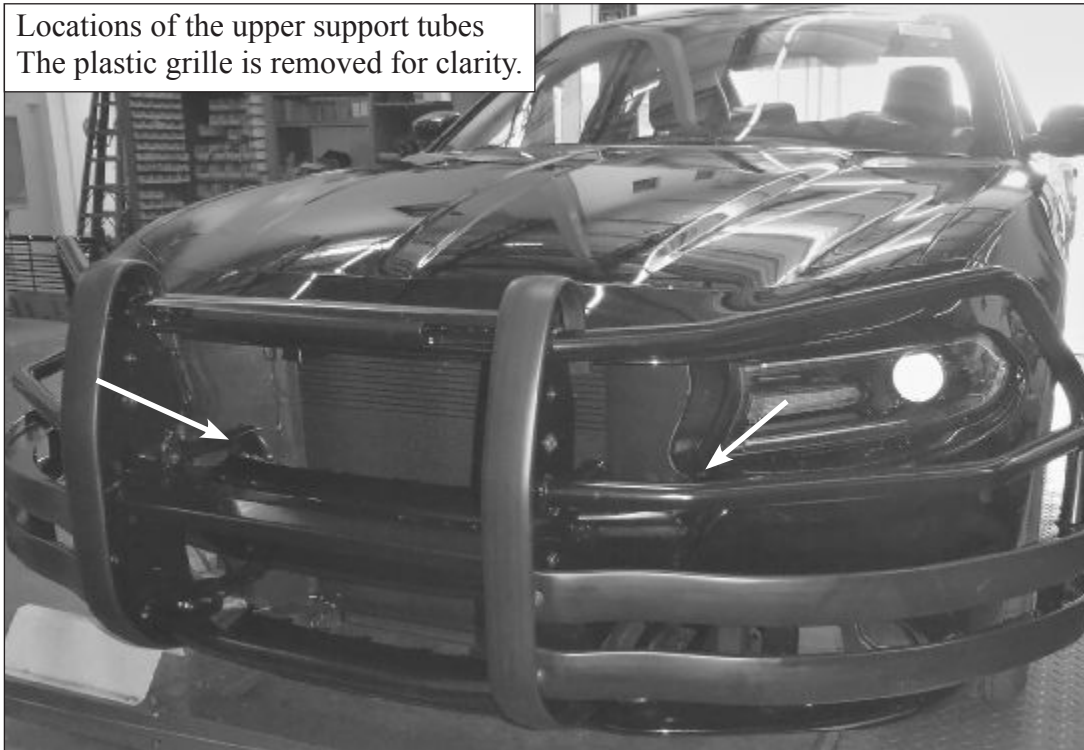


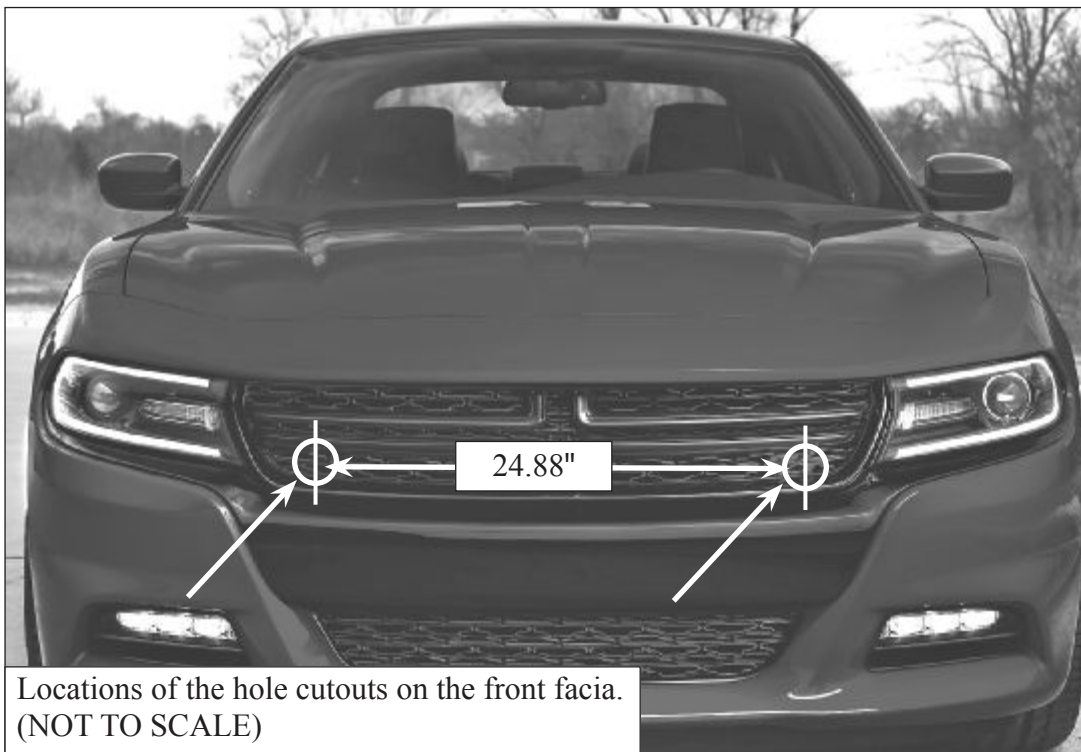
Figure 14

Locations of the upper support tubes  
The plastic grille is removed for clarity.



Pit bar and wing wrap are sold separately.

Figure 15



Locations of the hole cutouts on the front fascia.  
(NOT TO SCALE)

**Figure 16**



### **Maintaining the Push Bar Assembly**

Regularly clean stainless steel and gloss black finishes with a mild soap and water. Apply a non-abrasive wax or polish. To polish small scratches on stainless steel, use stainless steel polish. To avoid making scratches on the stainless steel surfaces, follow the grain of the steel while polishing.

### **Getting Technical Support and Service**

Federal Signal Corporation will service your equipment or provide technical assistance with any problems that cannot be handled locally. Any product returned to Federal Signal for service, inspection, or repair must be accompanied by a Return Material Authorization number. The RMA number can be obtained from your local distributor or Federal Signal. Please provide a brief explanation of the service requested or the nature of the malfunction. Contact your local dealer/distributor for replacement parts availability or contact the Federal Signal Service Department (7 a.m. to 5 p.m., Monday through Friday, Central Time) at:

Service Department  
Federal Signal Corporation  
2645 Federal Signal Drive  
University Park, IL 60484-3167  
800-433-9132, 800-343-9706 (fax)

Dodge is registered trademark of FCA US LLC.