



► Model G-LED

# Global Series™ Signaling Platform – LED

The Federal Signal patented Global Series™ LED Beacons feature a long-life LED light source with the ability to set one of eight (8) flash patterns (user-configurable). The device is rated to the latest protection concept, “Ex op is” (inherently safe optical radiation). The housing is made from GRP (Glass Reinforced Polyester) designed to serve the demanding needs of offshore marine and land-based industrial applications.

The G Series LED Beacons flameproof “Ex d” versions come standard with two (2) M20 entries. The increased safety “Ex de” versions include a separate terminal chamber for quick field termination or pass-through wiring, and includes three (3) M20 entries in a standard configuration.

The Global Series LED Beacons can be combined with all other Global Series audible and visual products in several custom configurations. Custom configurations can be ordered directly from the factory. Optional coupling kits, which allow limited field fixturing, are available. For use in alarm control panel applications.

## FEATURES

- Available in 24VDC and 120-240VAC 50/60Hz
- Optional 316 stainless steel ratchet adjustable mounting U-bracket (Field installation required)
- GRP (Glass Reinforced Polyester) Non-metallic corrosion-resistant design
- Dome guard included
- 24VDC models contain a supervisory diode and four wire terminal block
- M20 entries standard (M25 option available)
- Type 4X, IP66, IP69K enclosure
- Zone 1, 21 Rated, IECEx, ATEX, Ex d IIC, Ex de IIC and Ex tb IIIC
- UL and cUL Listed for Class I, Division 2, Groups A, B, C and D; Class II, Division 2, Groups F and G; and Class III
- UL and cUL Listed for Class 1, Zone 1 AEx db IIC and Zone 21, AEx op is tb IIIC T200°C, excludes increase safety versions (Ex de)
- LED has 8 on-board flash patterns, factory default is Flashing at 60 FPM
- “Auto-sync” available for AC flashing pattern products<sup>2</sup>
- Optional indicator rings are available in six colors: Black, Blue, Green, Magenta, Red and Yellow
- Field customizable legend plates available<sup>1</sup>

MODEL	OPERATING VOLTAGE	OPERATING CURRENT	LIGHT OUTPUT
<b>G-LED</b>	24VDC	0.300 amps	175 cd
	120-240VAC 50/60Hz	0.12-0.70 amps	175 cd

### UL/cUL HAZARDOUS LOCATION RATING

#### TEMPERATURE CODE AT 70°C

Class I, Division 2, Groups A, B, C, D	T4
Class II, Division 2, Groups F, G	T6
Class III	T6

### ATEX/IECEx HAZARDOUS LOCATION RATING

#### TEMPERATURE CODE AT 70°C/58°B

T5/T6

### UL/cUL HAZARDOUS LOCATION CLASS/ZONE

#### TEMPERATURE CODE AT 70°C

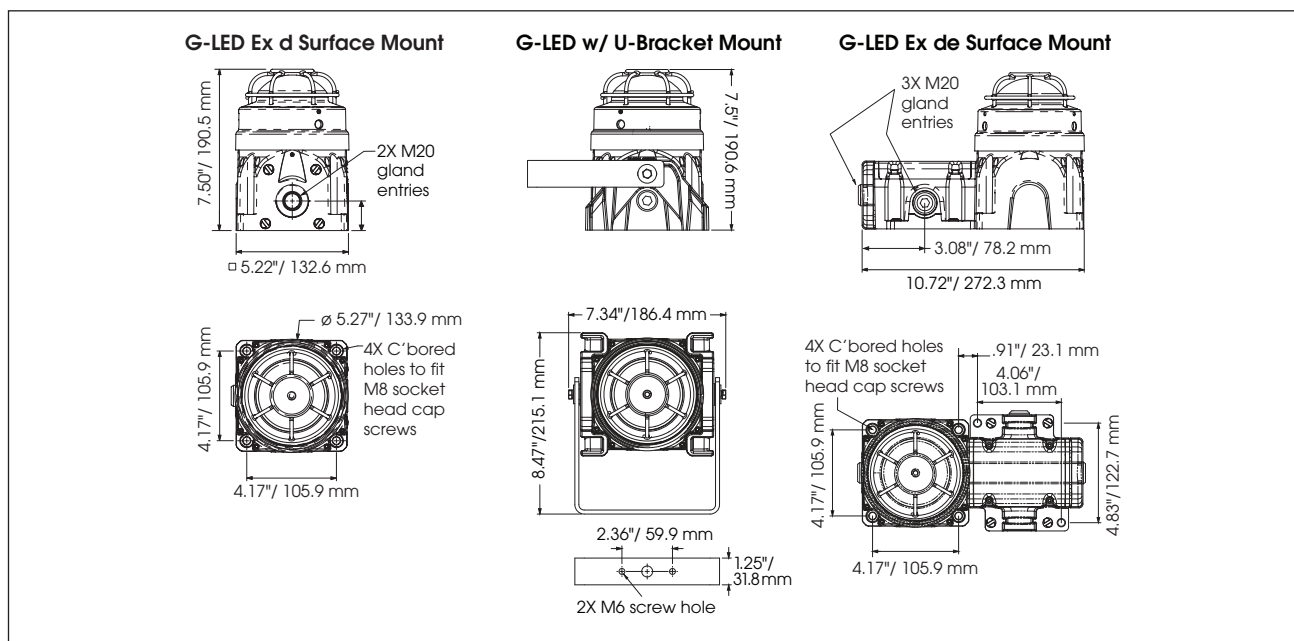
T3

<sup>1</sup> Recommended labels: BRADY #B-855 Toughwash labels or ULINE #S-16643 weather resistant

<sup>2</sup> Consult our Technical Support team for details



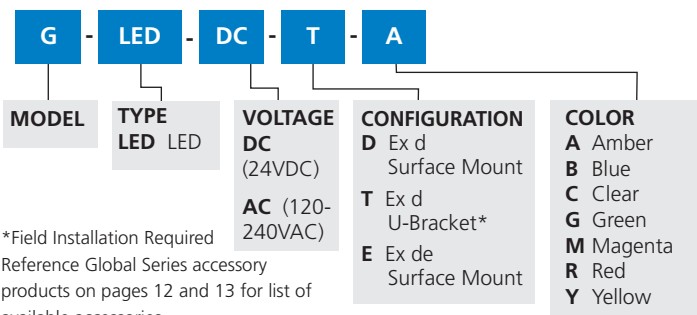
# Global Series Signaling Platform – LED (G-LED)



## SPECIFICATIONS

Lamp Life:	50,000 Hours
Light Source:	LED
Nominal Operating Temperature Range:	-67°F to 158°F -55°C to 70°C
ATEX/IECEx Certification Marking:	
II 2GD Ex db e op is IIC Gb, Ex tb IIIC Db IP66.	T6 @ 58°C; T5 @ 70°C
II 2GD Ex de IIC Gb, Ex tb IIIC Db IP66.	T6 @ 58°C; T5 @ 70°C
	ATEX: Baseefa15ATEX0153X
	IECEx: IECEx BAS 15.0102X
Guard and External Fasteners:	316 stainless steel
Terminals:	Ex d: 6 way block (3 in, 3 out)
	Ex de: 3-pole, 4 position quad pole terminal blocks
Cable Entries:	Ex d: 2 entries - M20 x 1.5
	Ex de: 3 entries - M20 x 1.5
UL and cUL Certification Marking:	
Class I, Division 2, Groups A, B, C, D	T4 @ 70°C
Class II, Division 2, Groups F, G	T6 @ 70°C
Class III	T6 @ 70°C
	UL and cUL E207119
Net Product Weight	
Ex d Surface Mount:	6.17 lbs 2.80 kg
Ex d U-Bracket Mount:	8.15 lbs 3.70 kg
Ex de Surface Mount:	8.99 lbs 4.08 kg

## HOW TO ORDER



## REPLACEMENT PARTS

Description	Part Number
Lens Guard	K859500821-02
Lens, Amber	K859500815
Lens, Blue	K859500815-01
Lens, Clear	K859500815-02
Lens, Green	K859500815-03
Lens, Red	K859500815-04
Lens, Magenta	K859500815-05
Lens, Yellow	K859500815-06

### DC LED (24VDC) Internal Sub-Assembly Kits

(Include PCBA, bracket, LED light head and mounting screw)

LED/PCB DC Sub-Assy, Amber	K859501400-A
LED/PCB DC Sub-Assy, Blue	K859501400-B
LED/PCB DC Sub-Assy, White	K859501400-W
LED/PCB DC Sub-Assy, Green	K859501400-G
LED/PCB DC Sub-Assy, Magenta	K859501400-W
LED/PCB DC Sub-Assy, Red	K859501400-R
LED/PCB DC Sub-Assy, Yellow	K859501400-W

### AC LED (120-240VAC) Internal Sub-Assembly Kit

(Includes PCBAs, bracket, LED light head and mounting screw)

LED/PCB AC Sub-Assy, Amber	K859501401-A
LED/PCB AC Sub-Assy, Blue	K859501401-B
LED/PCB AC Sub-Assy, White	K859501401-W
LED/PCB AC Sub-Assy, Green	K859501401-G
LED/PCB AC Sub-Assy, Magenta	K859501401-W
LED/PCB AC Sub-Assy, Red	K859501401-R
LED/PCB AC Sub-Assy, Yellow	K859501401-W

### Accessories

E-Box Endcap with M20 Opening	K859500805-02
E-Box Endcap with M25 Opening	K859500805-01
E-Box Cover Assembly (Includes two terminal blocks, mounting plate, retention hardware)	K859501414
Adapter, M20 Male to 1/2" Female NPT	K231246A
Adapter, M20 Male to 3/4" Female NPT	K231247