



Heavy Duty Direct Dial Digital Intercom Station

Model ECHO E-SS Series

Heavy Duty Direct Dial Stations

- 11 Gauge Stainless Steel Face Plate
- Speaker Protected by Tamper-Resistant Baffle Plates
- Tamper-Resistant Solid Metal Call Button
- Hands-Free Duplex Voice Communication
- Indoor or Outdoor Use
- Remotely Controlled Contact for Gate/Door Activation

The Federal Signal E-SS series heavy duty stations are used in parking garages, elevators, correctional facilities, institutions, and secured entry-ways to provide single button call and duplex voice communication.

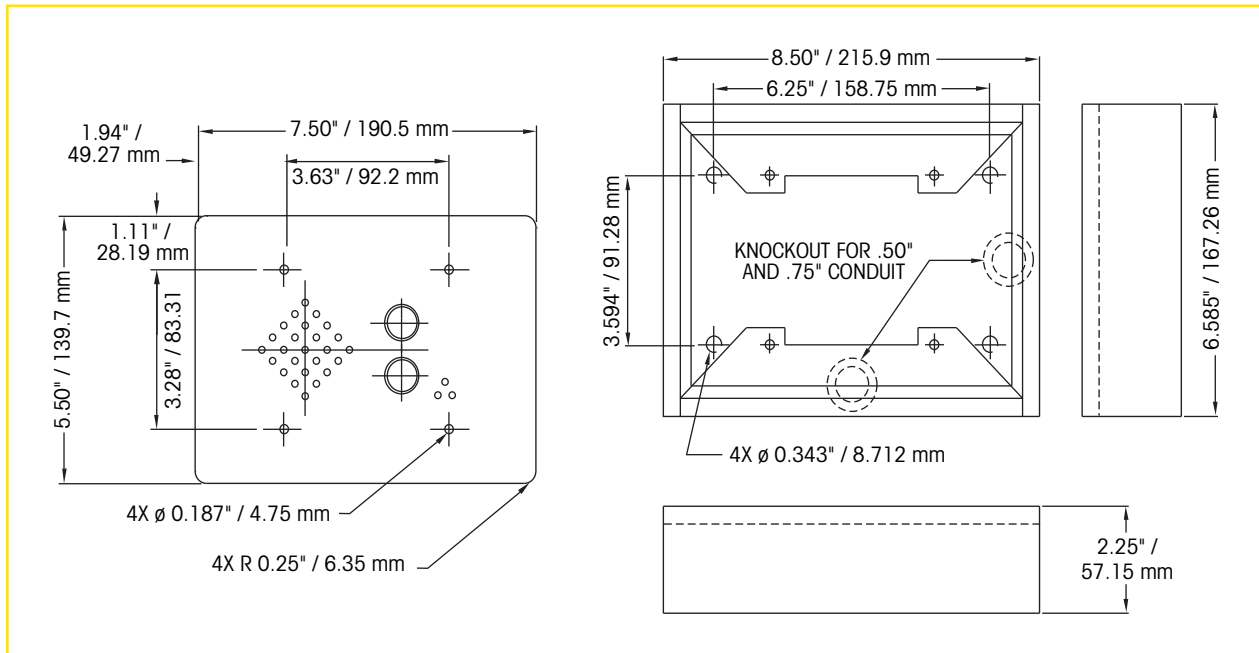
Depressing a single call button will place a call to any preprogrammed station in the system. Built-in relay contact may be activated from the connected Master station for door or camera control. The panel speaker and electret microphone provide hands-free duplex communication and a digital signal processor automatically adjusts the volume levels to compensate for acoustically difficult locations.

The E-SS series heavy duty call station faceplate is constructed of 11 gauge stainless steel with a brushed finish and furnished with a tamper resistant call switch and tamper-proof mounting fasteners. A moisture resistant speaker is protected by internal weather resistant baffles. The E-SS series station may be programmed for call destination and volume level from any master station in the system or via ECHO-SFW Windows® software.

CE  E C H O



DIRECT DIAL DIGITAL INTERCOM STATION (E-SS)



SPECIFICATIONS

Dimensions (WxDxH): 7.5 x 3 x 5.5 in. (190 x 76 x 140mm)

Faceplate: Thickness: 11 gauge, .125 in. (3.175 mm)

Material: Stainless Steel

Rated Input (drawn from the line):

Voltage: 24VDC nominal

Current: Idle: 20mA

Connected: 100mA

Amplifier Output (loudspeaker): 1.0 Watt

Loudspeaker: Size: 2.5 in.

Impedance: 45 Ohm

Microphone: Type: Electret receiver element

Controls: Call button, momentary contact, tamper resistant with metal activator and body

Relay Contact: 5A @ 24VDC

Volume Control: 30dB 10 steps, remotely programmed

Line Specifications:

Attenuation: 24dB@ 160kb/s Max.

Loop Resistance: 170 Ohm Max.

Distance: 1.2 mi. (2km) Max.

Cable: One twisted pair, non-shielded

Standards Compliance: Overvoltage and current:
CCITT K20 and BELLCORE TR-NW000974

Termination: Plug-in screw terminal, non-polar

HOW TO ORDER

Specify model:

Flush Mount: Steel City 3G three gang or GW-335-C masonry type or equal

Surface Mount: Federal Signal Model E-SSMB

Available Heavy Duty Stations:

Model E-SSSB2 Dual Call Station 2 Stainless Steel buttons

Model E-SSSB1KR Single Call with Integral Key Reset Switch

Model E-SSMB1 Single call with mushroom button

Model E-SSMB1L Single call with mushroom button & LED

Model E-SSSB1 Single call with Stainless Steel button

Model E-SSSB1L Single call with Stainless Steel button & LED

Options Available:

ECHO-FOTI-CS Fiber Optic Interface, control side

ECHO-FOTI-RS Fiber Optic Interface, remote side

ECHO-FOTI-PS Power Supply