



► Model 371LEDX

Hazardous Location Commander® LED Rotating Light

Model 371LEDX hazardous location warning lights have an array of 12 powerful LEDs arranged below a reflector. The reflector focuses the light from the LEDs into a high-intensity beam and rotates 360-degrees.

The LEDs, reflector, and motor module are sealed under a polycarbonate dome which completes a water-tight, dust-tight enclosure. The dome and ring assembly simply screw on, providing access to the interior of the light.

The 371LEDX base is hard coat anodized and features electrostatically applied black powder paint for greater corrosion resistance. Wiring can be routed through the pipe-mount opening in the bottom of the light or the two side knockouts can be used for side entry wiring. Installation can be surface or 1-inch NPT pipe mounted.

FEATURES

- Available in 120VAC
- 50,000 hour LED light source
- Surface mount and integrated 1-inch NPT pipe mount
- Type 4X, IP66, IP69K enclosure
- UL and cUL Listed for Class I, Division 2, Groups A, B, C & D; Class II, Division 2, Groups F & G; and Class III

MODEL	VOLTAGE	OPERATING CURRENT	FLASH RATE/ MINUTE	LIGHT OUTPUT	MOUNT
371LEDX-120 *	120VAC 50/60Hz	320 mA	60	15,000 cd	1" NPT Pipe/Surface

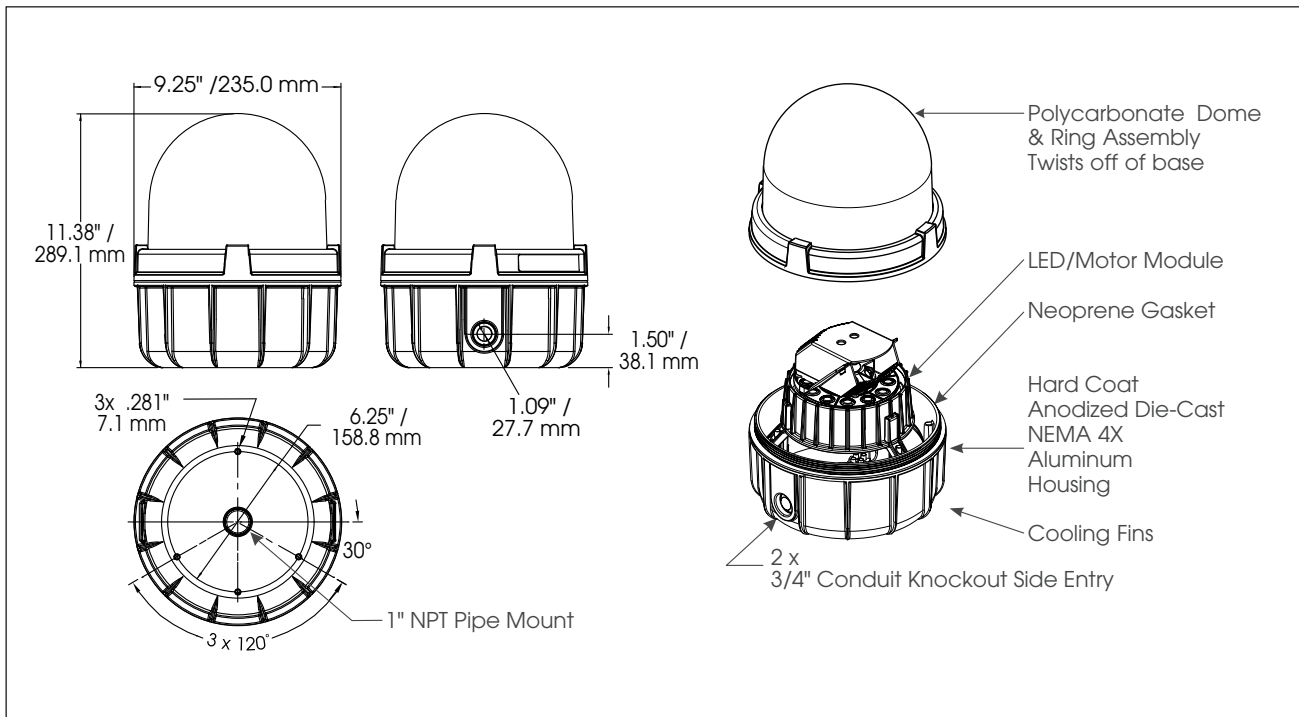
*Indicates color: (A) Amber, (B) Blue, (C) Clear, (G) Green or (R) Red

HAZARDOUS LOCATION RATING: 371LEDX

T-CODE AT MAXIMUM AMBIENT TEMPERATURE, °C

Hazardous Location	40°C
Class I, Division 2, Groups A, B, C, D	T5
Class II, Division 2, Groups F, G	T6
Class III	T6

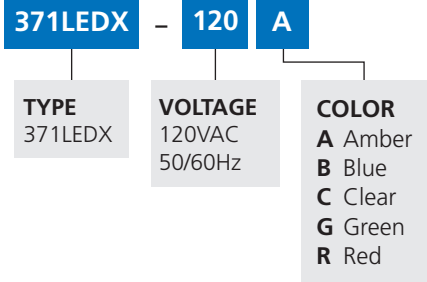
Hazardous Location Commander® LED Rotating Light (371LEDX)



SPECIFICATIONS

Lamp Life:	50,000 Hours	
Light Source:	LED	
Operating Temperature:	-31°F to 104°F	-35°C to 40°C
Net Weight:	7.1 lbs	3.2 kg
Shipping Weight:	8.1 lbs	3.7 kg
Height:	11.38"	289.1 mm
Diameter:	9.25"	235.0 mm

HOW TO ORDER



REPLACEMENT PARTS

Description	Part Number
Gasket, Surface Mount	K8459127A
LED/Motor Module, Amber	K8459159A-A
LED/Motor Module, Blue	K8459159A-B
LED/Motor Module, White	K8459159A-W
LED/Motor Module, Green	K8459159A-G
LED/Motor Module, Red	K8459159A-R

¹ Includes 1 dome gasket

OPTIONAL ACCESSORIES

Description	Part Number
Solid Surface Mounting Bracket	371BRCKT
Shock Mount Kit	K8459A076C
3/4" Hub Kit	K8459138A
1" Plug Kit	K8459130A