

► Model 450EWBX

Vibratone® Hazardous Location Electronic Horns



Model 450EWBX hazardous location electronic horn offers a patented electronic design that produces a very loud, clear, and distinctive electronic tone. The model is capable of producing sustained tones or coded blasts through push button or PLC control devices without a duty cycle or interval limitations.

The 450EWBX is ideal for general alarm, start and dismissal, coded paging, and process control signaling in areas of high ambient noise levels.



FEATURES

- No duty cycle
- Four-wire terminal block and supervisory diode
- No detectable RF emissions in a 30-1000 MHz frequency range
- Type 4X enclosure
- IP69K compliant
- Marine Rated
- UL and cUL Listed for Class I, Division 2, Groups A, B, C, and D; Class II, Division 2, Groups F and G; Class III
- 450E horn is UL and ULC Canadian Listed for Fire Alarm use

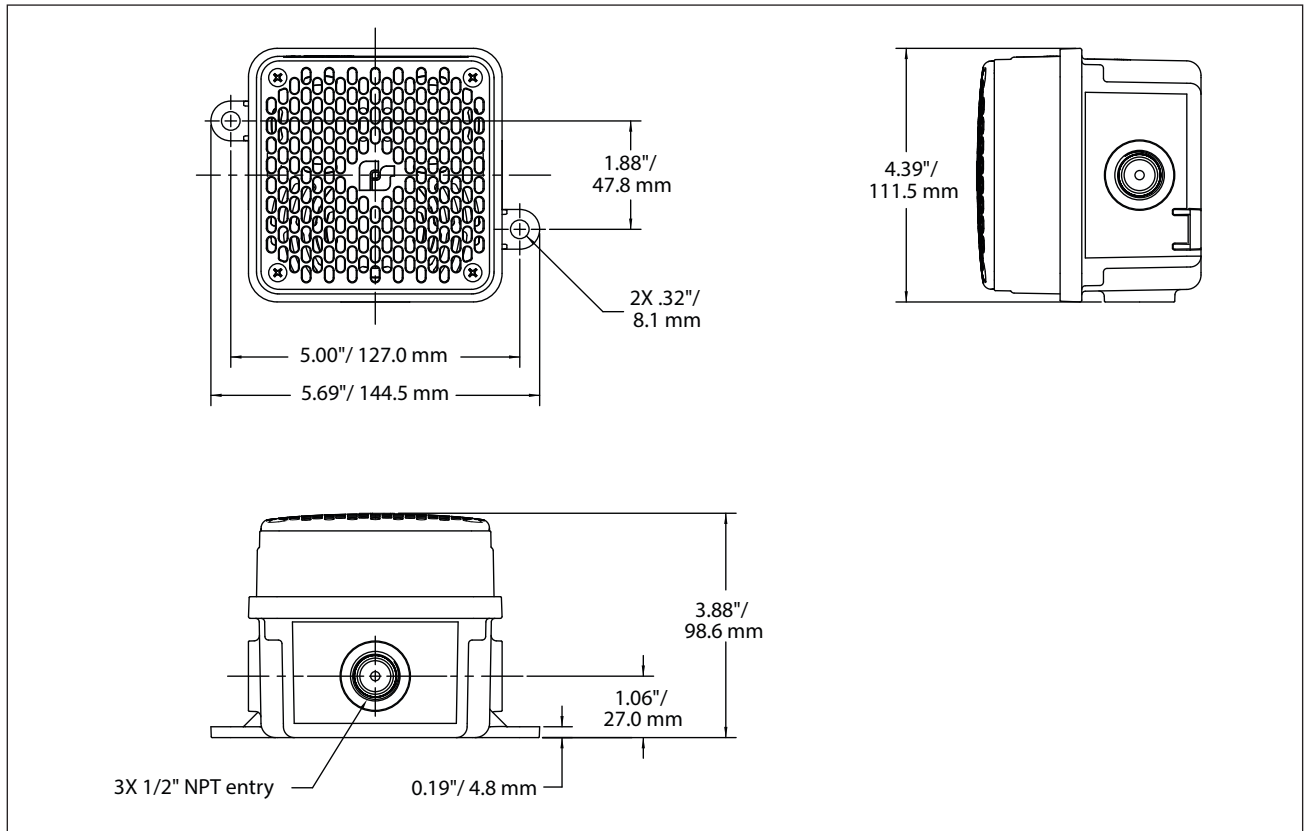
MODEL	VOLTAGE	OPERATING CURRENT	DECIBELS UL 464		DECIBELS	
			10'	1 m	10'	1 m
450EWBX-024	24 Vdc	0.22 A	90	100	99	109
	12 Vdc	0.12 A	N/A	N/A	94	104

HAZARDOUS LOCATION RATING: 450EWBX

T-CODE AT MAXIMUM AMBIENT TEMPERATURE, °C

Hazardous Location	40°C	70°C
Class I, Division 2, Groups A, B, C, & D	T4A	T3C
Class II, Division 2, Groups F & G	T5	T4A
Class III	T5	T4A

Vibratone® Hazardous Location Electronic Horns (450EWBX)



SPECIFICATIONS

Operating Temperature:	-65° to 150°F (-54° to 66°C)
Housing:	Non-metallic Polycarbonate Light Gray (RAL 7035)
Speaker Cone:	Polymeric
Net Weight:	2.3 lb (1.04 kg)
Height:	4.39 in (111.5 mm)
Width:	5.69 in (144.5 mm)
Depth:	3.88 in (98.6 mm)

ACCESSORIES

Description	Part Number
Electro-Mechanical Rotational Mounting Kit	EM-KIT-RS

HOW TO ORDER

Specify Model:

Description	Part Number
Electronic Horn, Hazardous Location, 12/24 Vdc	450EWBX-024