



► Models eSiren

Electronic Siren

Model eSiren is an electronic siren capable of producing two high-decibel siren tone outputs from the same unit by featuring internal amplification and patented, tone-generating technology.

The Type 4X, IP66 housing is molded from glass-reinforced, polycarbonate plastic, making it resistant to ultraviolet light and ideal for indoor or outdoor use.

Model eSiren can be used as a stand-alone, high output, audible warning device in any application where voice paging is not required.

Typical applications include emergency warning, start and dismissal, general alarm, and evacuation.

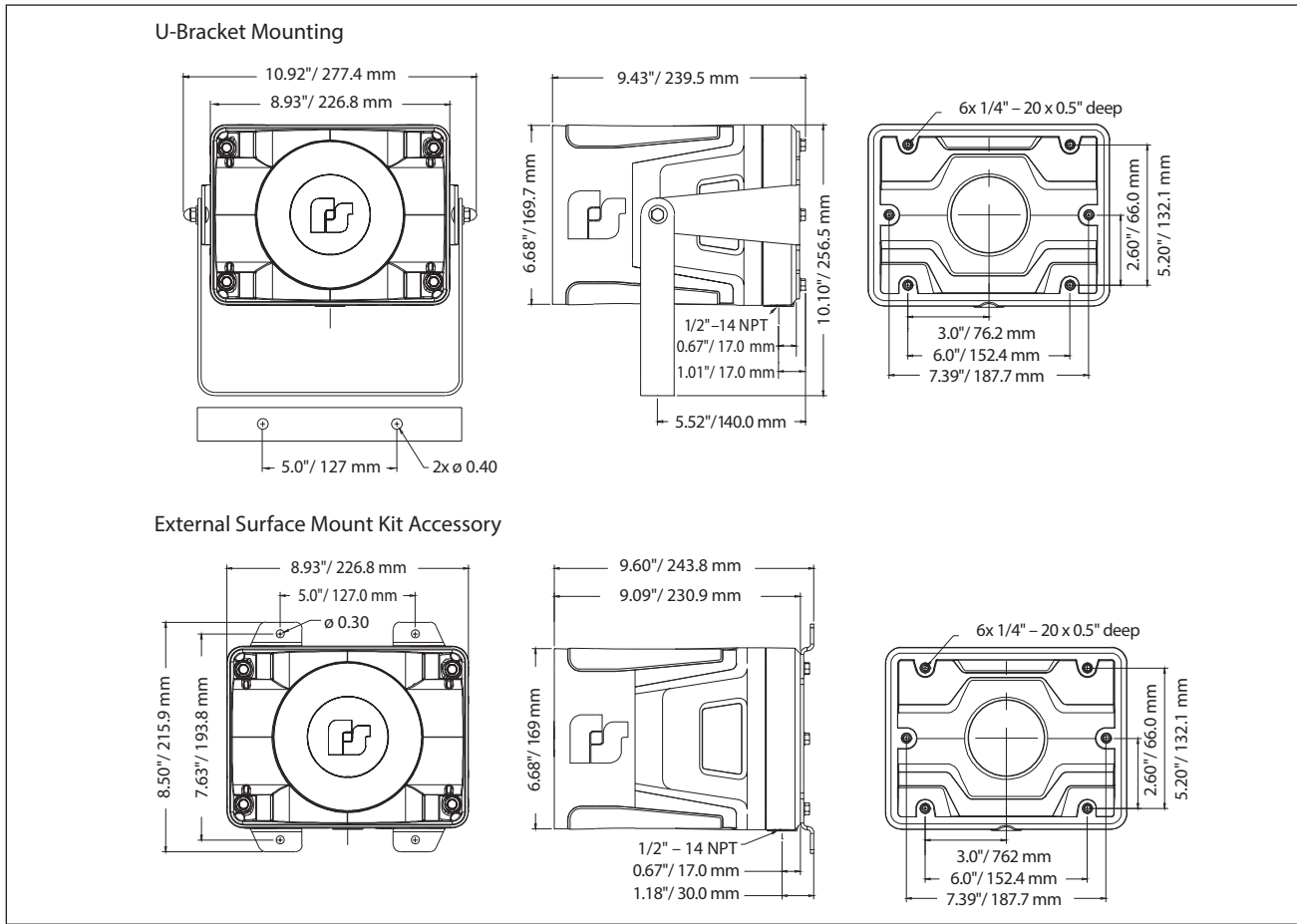


FEATURES

- Multi-voltage design accepts 120 or 240 Vac
- Produces one of two tones at three SPL (sound pressure levels)
- Replicates Federal Signal Model A and Model L siren tones
- U-bracket or internal surface mount standard
- Produces 104 - 115 dBa at 10' (114 - 125 dBa at 1 m) depending on tone selected
- Type 4X, IP66 enclosure
- Marine Rated
- UL and cUL Listed

MODEL	VOLTAGE	A SIREN			L SIREN		
		OPERATING CURRENT	DECIBELS 10'	1 m	OPERATING CURRENT	DECIBELS 10'	1 m
eSiren-120-240	120 Vac	0.22 - 0.50 A	105 - 115	115 - 125	0.024 - 0.53 A	104 - 113	114 - 123
eSiren-120-240	240 Vac	0.14 - 0.27 A	105 - 115	115 - 125	0.15 - 0.26 A	104 - 113	114 - 123

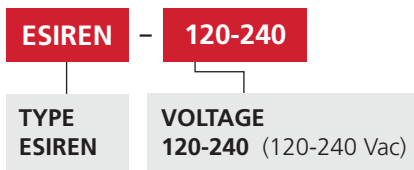
Electronic Siren (eSiren)



SPECIFICATIONS

Operating Temperature:	-40° to 150°F (-40°C to 66°C)
Shipping Weight:	17.2 lb (7.8 kg)
Net Weight:	15.1 lb (6.8 kg)
Height:	10.10 in (256.5 mm)
Width:	10.92 in (277.4 mm)
Depth:	9.43 in (239.5 mm)

HOW TO ORDER



ACCESSORIES

Description	Part Number
U-Bracket Mounting Kit	EHORN-TKIT
Trunnion Mounting Assembly	EHORN-TKIT2



EHORN-TKIT2