



► Models 110-120 Loudspeakers

Marine/Industrial and Hazardous Area Loudspeakers

Federal Signal's Models 110-120 Series Loudspeakers are designed for use in industrial public address and general alarm applications, where ATEX certification is required. The 110-120 Series Loudspeakers are available in either an ATEX Zone 1 explosion-proof version or a CE compliant, Marine-grade Industrial version.

Model 110-120 Series Loudspeakers are available in three different configurations, from 8 watt to 25 watt, to provide an appropriate amount of sound for the ambient environment. Each speaker is transformer coupled to fine tune the sound output for each application, and balance the audio load. Available audio inputs are 100 Vrms, 70 Vrms and 8-Ohm.

Mounting is provided by a stainless-steel ratcheted mounting bracket that locks the sounder in position at a specific angle without slipping. The bottom surface of the mounting bracket also contains three mounting holes, to adapt to a variety of surfaces.

Models 110-120 Series Loudspeakers are rated for IP66/67 through the use of a neoprene "O" ring seal. All exterior cast aluminum surfaces are finished in powder coat paint and external hardware is manufactured from stainless steel to resist corrosion.

FEATURES

EXPLOSION-PROOF SERIES

- 8 watt, 110 dBa output
- 15 watt, 116 dBa output
- 25 watt, 123 dBa output
- Approved for Zone 1 IIB and IIC
- CE Compliant
- ATEX certified
- Integrated Speaker Monitoring & remote Tapping (I.S.M.T.)
- IEC Certified (25 watt versions)

MARINE/INDUSTRIAL SERIES

- 8 watt, 114 dBa output
- 15 watt, 118 dBa output
- 25 watt, 125 dBa output
- CE-Compliant
- Integrated Speaker Monitoring & remote Tapping (I.S.M.T.)
- IP66 and IP67 enclosure

Frequency Range

110 Series (15W) ¹ 390-4500 Hz	114 Series (8W) ¹ 600-4000 Hz	120 Series (25W) ¹ 350-4000 Hz
110 Series (8W) ² 390-8500 Hz	114 Series (15W) ² 500-8000 Hz	120 Series (25W) ² 300-3700 Hz

Ambient Temperature Range

T4 ¹ -20°C to +70°C	T5 ¹ -20°C to +55°C	T6 ¹ -20°C to +40°C
-----------------------------------	-----------------------------------	-----------------------------------

¹Explosion-Proof ²Marine

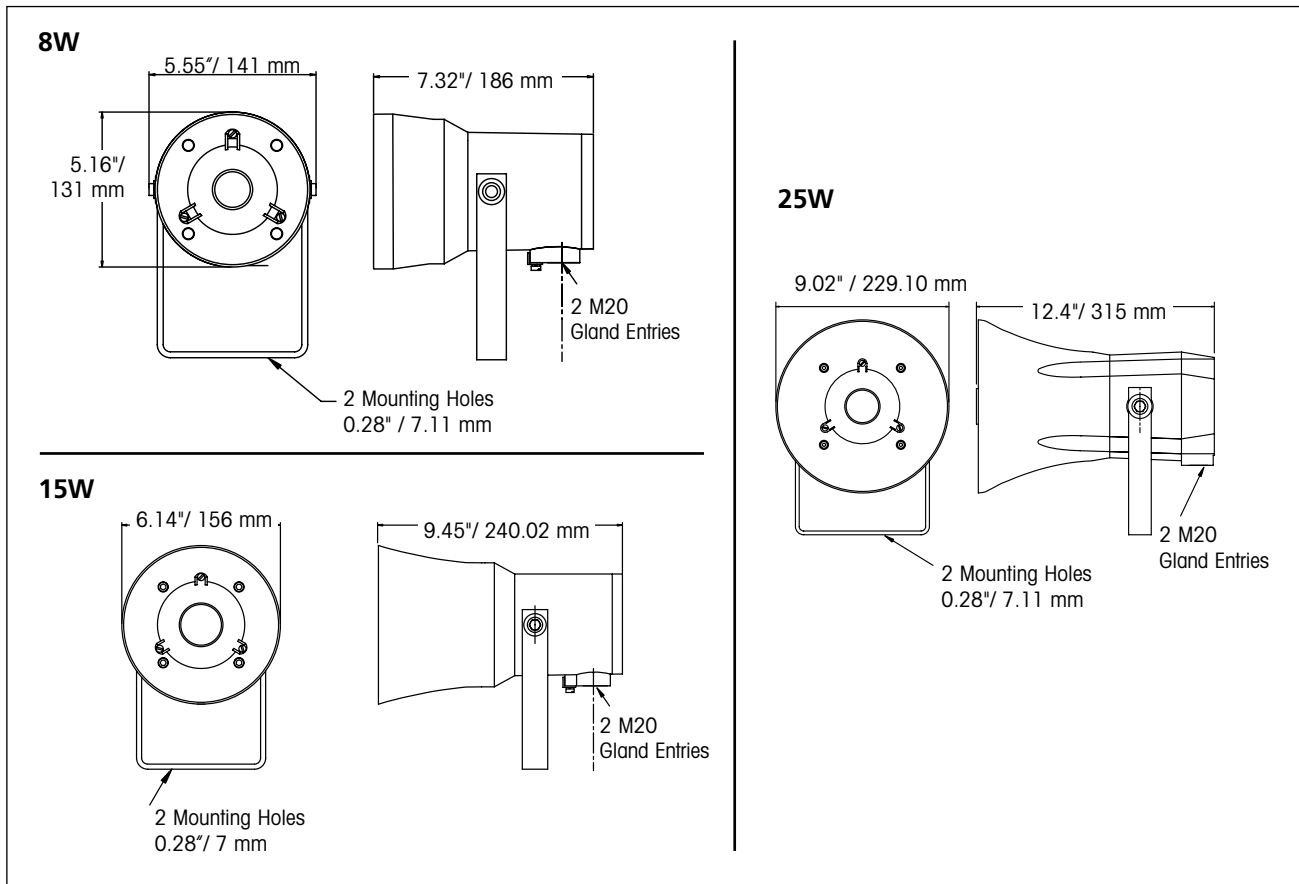
Explosion-Proof Rated

SPL@1kHz (Full power @ 1 meter)				
8W-IIB	8W-IIC	15W-IIB	15W-IIC	25W-IIB
110 dBa	106 dBa	116 dBa	112 dBa	123 dBa
SPL@1kHz (1 watt @ 1 meter)				
8W-IIB	8W-IIC	15W-IIB	15W-IIC	25W-IIB
101 dBa	97 dBa	104 dBa	100 dBa	109 dBa

Marine Rated Power

SPL@1kHz @ (Full power @ 1 meter)		
8W	15W	25W
114 dBa	118 dBa	125 dBa
SPL@1kHz @ (1 watt @ 1 meter)		
8W	15W	25W
104 dBa	106 dBa	107 dBa

Marine/Industrial and Hazardous Area Loudspeakers (110-120)



SPECIFICATIONS

Net Weight:		
8 Watt Short horn Series	6.6 lbs.	3.0 kg
15 Watt Series	7.1 lbs.	3.2 kg
25 Watt Series	14.1 lbs.	6.4 kg
Shipping Dimensions:		
8 watt / 15 watt		
Height:	11.4"	289.6 mm
Width:	11.4"	289.6 mm
Depth:	11.8"	299.7 mm
25 watt		
Height:	12.6"	320.0 mm
Width:	11.8"	299.7 mm
Depth:	15.0"	381.0 mm
Dispersion Angle:		
Short Horn Series, 8 Watt		180°
Standard Horn Series, 15 Watt		120°
120 Horn Series, 25 Watt		120°
Type:	8/15/25 Watt dual entry	
Gland Entries:	2 x M20 x 1.5 mm	

Cable Terminations:	6A, 1.5 mm conductors
Mounting:	Stainless steel bracket (not painted)
Material:	Body & Horn—Marine Grade Aluminum Alloy
Audio Input:	100 Volt, 70 Volt and 8 Ohms

Certification and Approval

110 Series – 8 and 15 Watt:	
Baseefa 03ATEX0688X	II 2 G EEx d IIB T4 (Tamb -20°C to +70°C)
Baseefa 03ATEX0689X	II 2 G EEx d IIC T4 (Tamb 20°C to +70°C)
120 Series – 25 Watt:	
Nemko 05ATEX1036	II 2 G Ex d IIB T4...T6 Gb
IEC	IECEx NEM 04.0002

Ingress Protection – Explosion-Proof:

8 Watt/15 Watt	IP66 & IP67-EN60529
25 Watt	IP66 & IP67-EN60529
Marine	IP66 & IP67-EN60529

HOW TO ORDER

Contact factory for ordering assistance