



8-head model



4-head model

▶ CN SignalMaster™ | Directional Lighting

FEATURES

- SpectraLux™ Multicolor LED Technology available in combinations of Amber, Blue, Red, or White.
- Solaris® LED assemblies for the highest optical efficiency.
- Compatible with FS Convergence Network sirens.
- A serial interface module is available for use with your existing light controller.
- Available in 4-head, 8-head and split 8-head models.
- Models available for both front and rear vehicle applications — Front facing models utilize wide angle reflectors; Rear facing models utilize narrow-angle reflectors.
- White LED options can be used as takedowns, work lights, or flood lighting.
- Built-in SignalMaster™ available in rear-facing models.

APPROVALS

- SAE J845, Class 1
- SAE J595, Class 1
- CA Title 13, Class B (Red, Blue and Amber)

Warning and traffic clearing LED light built for first responders

CN SignalMaster™ provides advanced warning and directional lights specifically for first responders. Built with Federal Signal's exclusive Solaris® LED reflector design for superior light intensity, the CN SignalMaster is available in 4-head, 8-head, and split 8-head models. All models are suitable for interior and exterior installation.

Split 8-head models are synchronized to operate as one unit. These models are ideal for mounting externally on a Dodge Sprinter, Chevrolet G-Van, or Ford Transit, and can also be mounted on popular police vehicles.

Eye-catching patterns in a variety of colors

The CN SignalMaster™ can quickly be changed from a warning light to a directional light with Federal Signal's SpectraLux technology. SpectraLux multicolor LED technology allows for a single LED source to change while in motion.

CN SignalMaster is available in color combinations of Amber, Blue, Red, or White.



Built-in SignalMaster feature



Flood Lighting feature

White LED options can be used as takedowns, work lights, or act as an impressive floodlight. Rear-facing models have a built-in SignalMaster to act as a directional light for oncoming traffic.

Simple installation and programming

CN SignalMaster models are equipped with the FS Convergence Network for simple 'plug-n-play' installation and programming. Utilizing standard RJ45 connections, the CN SignalMaster can easily be programmed with Federal Signal's SmartSiren Platinum and Pathfinder Siren/Light controller.

A serial interface module with your existing light controller can also be used to program and operate the features and functions of the CN SignalMaster.

CN SignalMasters are programmed with 27 built-in flash patterns and can remain in sync with other light head flash patterns or operate independently.

APPLICATIONS



CN SignalMaster, 8-head CN SignalMaster on a Dodge Charger



CN SignalMaster, directional warning, 8-head CN SignalMaster on a Ford Police Interceptor Utility



CN SignalMaster, 8-head CN SignalMaster on a Ford Police Interceptor Utility

Select a popular configuration below or customize a configuration using our on-line configurator at config.fedsig.com/lightbar

15.7 inch length models

4-Head Front Models, with interface module

- CNSM4F-2647802 (2) Red/White LED reflectors, (2) Blue/White LED reflectors, with flood capability
- CNSM4F-2649442 (1) Red LED reflector, (1) Red/White LED reflector, (1) Blue/White LED reflector, (1) Blue LED reflector, with takedown capabilities
- CNSM4F-2649504 (1) Red LED reflectors, (2) Blue LED reflectors (alternating)

4-Head Front Models, without interface module

- CNSM4F-2649434 (2) Red/White LED reflectors, (2) Blue/White LED reflectors, with flood capability
- CNSM4F-2649491 (1) Red LED reflector, (1) Red/White LED reflector, (1) Blue/White LED reflector, (1) Blue LED reflector, with takedown capabilities
- CNSM4F-2649516 (1) Red LED reflectors, (2) Blue LED reflectors (alternating)

4-Head Rear Models, with interface module

- CNSM4R-2649764 (2) Red LED reflectors, (2) Blue LED reflectors (alternating)
- CNSM4R-2651628 (2) Red/Amber LED reflectors, (2) Blue/Amber LED reflectors
- CNSM4R-CAT1 (1) Red LED reflector, (1) Red/White LED reflector, (1) Blue/White LED reflector, (1) Blue reflector
- CNSM4R-CAT3 (2) Red/White LED reflectors, (2) Blue/White LED reflectors

4-Head Rear Models, without interface module

- CNSM4R-2651544 (2) Red LED reflectors, (2) Blue LED reflectors (alternating)
- CNSM4R-2651620 (2) Red/Amber LED reflectors, (2) Blue/Amber LED reflectors
- CNSM4R-CAT2 (1) Red LED reflector, (1) Red/White LED reflector, (1) Blue/White LED reflector, (1) Blue reflector
- CNSM4R-CAT4 (2) Red/White LED reflectors, (2) Blue/White LED reflectors

31.2 inch length models

8-Head Front Models, with interface module

- CNSM8F-2653866 (4) Red LED reflectors, (4) Blue LED reflectors
- CNSM8F-2653199 (3) Red LED reflectors, (1) Red/White LED reflector, (3) Blue LED reflectors, (1) Blue/White LED reflector
- CNSM8F-2651981 (4) Red/White LED reflectors, (4) Blue/White LED reflectors

8-Head Front Models, without interface module

- CNSM8F-2653949 (4) Red LED reflectors, (4) Blue LED reflectors
- CNSM8F-2653827 (3) Red LED reflectors, (1) Red/White LED reflector, (3) Blue LED reflectors, (1) Blue/White LED reflector
- CNSM8F-2652911 (4) Red/White LED reflectors, (4) Blue/White LED reflectors

8-Head Rear Models, with interface module

- CNSM8R-2654018 (8) Amber LED reflectors
- CNSM8R-RAB (1) Red LED reflector, (6) Amber LED reflectors, (1) Blue LED reflector
- CNSM8R-2654681 (4) Amber/Red LED reflectors, (4) Amber/Blue LED reflectors
- CNSM8R-2654732 (4) Red LED reflectors, (4) Blue LED reflectors
- CNSM8R-AMBR5 (8) Amber/White LED reflectors

8-Head Rear Models, without interface module

- CNSM8R-2654044 (8) Amber LED reflectors
- CNSM8R-RAB2 (1) Red LED reflector, (6) Amber LED reflectors, (1) Blue LED reflector
- CNSM8R-2654797 (4) Red LED reflectors, (4) Blue LED reflectors
- CNSM8R-2654695S (4) Amber/Red LED reflectors, (4) Amber/Blue LED reflectors
- CNSM8R-AMBR4 (8) Amber/White LED reflectors

Split 8-Head Rear Models, with interface module

- CNSM2X4R-3467975 (2) Red/Blue LED reflectors, (6) Amber LED reflectors, 6-head SignalMaster
- CNSM2X4R-3467973 (8) Red/Blue/Amber LED reflectors, 8-head SignalMaster
- CNSM2X4R-3467990 (4) Red/Amber LED reflectors, (4) Blue/Amber LED reflectors, 8-head SignalMaster

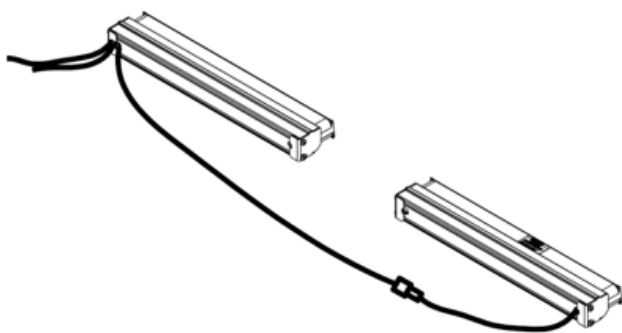
Split 8-Head Rear Models*, with interface module

- CNSM2X4R-3452898 (2) Red/Blue LED reflectors,
(6) Amber LED reflectors,
6-head SignalMaster
- CNSM2X4R-3467970 (8) Red/Blue/Amber LED reflectors,
8-head SignalMaster
- CNSM2X4R-3460910 (4) Red/Amber LED reflectors,
(4) Blue/Amber LED reflectors,
8-head SignalMaster

Mounting Brackets

- CNSM-RBK1 Mounting kit for installing
CN SignalMaster in 2013-2020 Ford
Police Interceptor Utility, internal use
only
- CNSM-UM Universal mount for installing
CN SignalMaster, internal/external use
- CNSM-FRD18ND No drill mounting kit for installing CN
SignalMaster in the grille of the Ford
F-150, 2018-2020 (XL and XLT style
grilles only)
- SLB-001 Long L-bracket
- SLB-002 Short L-bracket
- SLB-4SHRD 4-head shroud
- SLB-8SHRD 8-head shroud
- SLB-FRD15ND 8-head rear headliner bracket, no drill,
Ford F-150 2015-2020 and Super Duty
2017-2020

*Split 8-Head CN SignalMaster requires (2) brackets



Split 8-head CN SignalMaster

Operates identically to Federal Signal's one-piece,
8-head CN SignalMaster™ models

4-Head

Specifications	
Voltage	12.8 VDC
Amp Draw (total)	4 Amps
Operating temp	-30°C to +65°C

Physical Specifications	
Height	1.7 in (4.3 cm)
Length	15.7 in (39.9 cm)
Width	3.3 in (8.4 cm)

Ship Weight	
	2 lbs (0.09 kg)

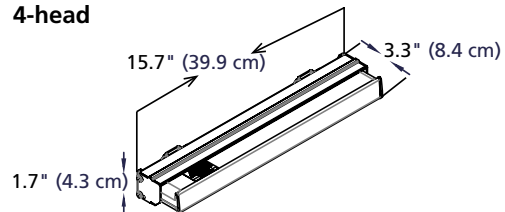
8-Head

Specifications	
Voltage	12.8 VDC
Amp Draw (total)	8 Amps
Operating temp	-30°C to +65°C

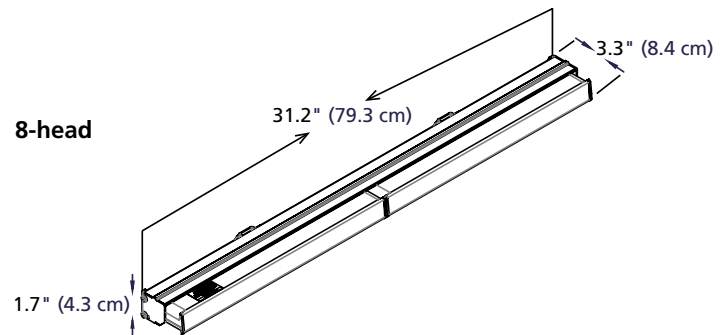
Physical Specifications	
Height	1.7 in (4.3 cm)
Length	31.2 in (79.3 cm)
Width	3.3 in (8.4 cm)

Ship Weight	
	4 lbs (1.8 kg)

4-head



8-head



SignalMaster, SpectraLux, Solaris and SmartSiren are trademarks of Federal Signal Corporation.
All others indicated are trademarks of Federal Signal Corporation.

©2019 Federal Signal Corporation. M3007 I 1219