

► Models 24XST

# Explosion-Proof Supervised Strobe Lights





(Shown with ceiling mount)

Federal Signal's Model 24XST Explosion-Proof Strobe Light produces 65-75 high-intensity flashes per minute. The 24XST features a current in-rush limiting PCB design to provide improved compatibility with in-rush sensitive devices. This design limits the peak in-rush to 2 A and operates on only 0.71 A, when powered by 24 Vdc. To synchronize the strobe lights, purchase the Synchronization Module (SSM) separately.

Model 24XST can be paired with a pendant, ceiling, or wall mount. The installation process is simple: by pre-installing the mounting box, the fixture can be simply threaded onto the mounting box, making an electrical connection when the threads are engaged.

Model 24XST offers a heavy duty, copper-free cast aluminum housing sealed with a Black powder coat paint. This unit is specifically designed for explosion-proof atmospheres and/or corrosive environments. The 24XST is ideal for use in areas such as oil rigs, mines, refineries, and chemical plants.

LENS COLOR OPTIONS

●
●
●
●
●
●

LOW IN-RUSH

## FEATURES

- Approved for mounting in any manner – including dome up
- Available in 24 Vdc
- (6) lens colors: Amber, Blue, Clear, Green, Magenta, and Red
- 10,000-hour strobe tube
- 3/4-inch NPT pendant, ceiling and wall mount options available
- Dome guard optional
- Conformal coated PCB
- Type 4X, IP66 enclosure
- IP69K compliant
- Marine Rated
- CSFM Approved
- UL and cUL Class I, Division 1, Groups C and D; Class I, Division 2, Groups A, B, C and D; Class II, Division 1, Groups E, F and G; Class III

MODEL	VOLTAGE	PEAK IN-RUSH	OPERATING CURRENT AT 24 Vdc	FLASH RATE / MINUTE	CANDELA ECP <sup>2</sup>
<b>24XST-024*-MOD<sup>1</sup></b>	24 Vdc	2 A	0.71 A	65-75	280

\* Indicates color: (A) Amber, (B) Blue, (C) Clear, (G) Green, (M) Magenta, or (R) Red

<sup>1</sup> See "how to order" for mounting options

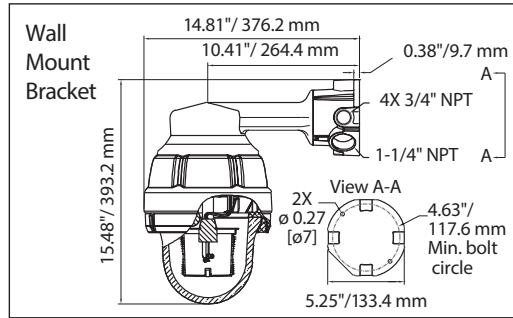
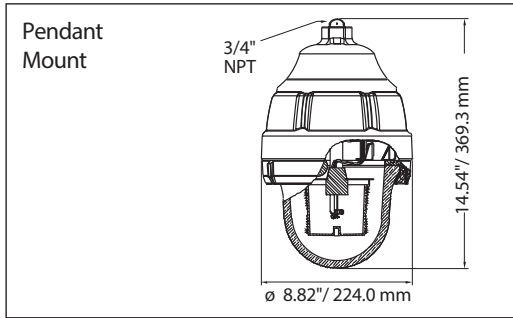
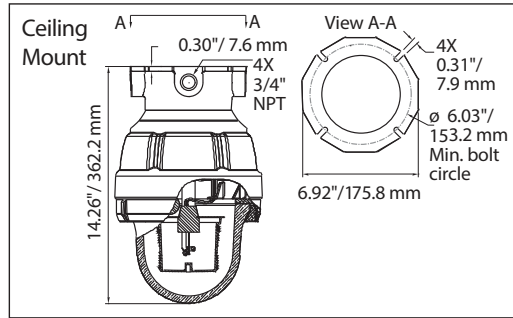
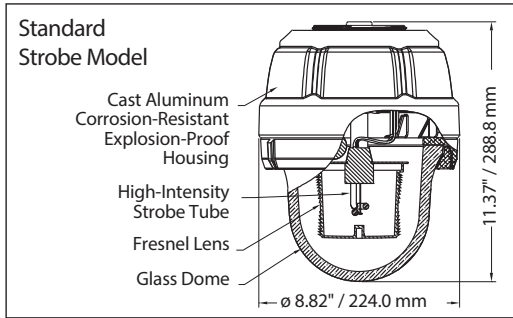
<sup>2</sup> ECP (Effective Candela) is the intensity that would appear to an observer if the light were burning steadily

### HAZARDOUS LOCATION RATING: 24XST

T-CODE AT MAXIMUM AMBIENT TEMPERATURE, °C

Hazardous Location	40°C	65°C
Class I, Division 1, Groups C, D	T6	T4A
Class I, Division 2, Groups A, B, C, D	T2	T2
Class II, Division 1, Groups E, F, G	T6	T4A
Class III	T6	T4A

# Explosion-Proof Supervised Strobe Lights (24XST)



## SPECIFICATIONS

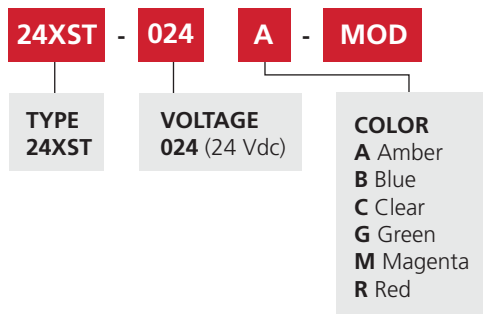
Lamp Life:	10,000 Hours
Light Source:	Strobe tube
Operating Temperature Range:	-67° to 150°F (-55° to 66°C)
Net Product Weight:	
Signal without Mounting:	13.9 lb (6.3 kg)
Ceiling Mount:	4.5 lb (2.0 kg)
Pendant Mount:	2.0 lb (0.9 kg)
Wall Mount:	5.9 lb (2.7 kg)

## HOW TO ORDER

### Specify Optional Mounting:\*

<b>Description</b>	<b>Part Number</b>
Ceiling Mount	<b>CMXC-SB</b>
Pendant Mount	<b>PMXC-SB</b>
Wall Mount	<b>WMXC-4-SB</b>

\* Mounting kit must be ordered with unit, sold separately



## ACCESSORIES

<b>Description</b>	<b>Part Number</b>
Dome Guard	<b>DGXC-SB</b>
Strobe Synchronization Module	<b>SSM</b>

## REPLACEMENT PARTS

<b>Description</b>	<b>Part Number</b>
Exterior Dome Assembly, Clear	<b>K8436147A</b>
Interior Lens Assembly, Amber	<b>K8550C095A-02</b>
Interior Lens Assembly, Blue	<b>K8550C095A-01</b>
Interior Lens Assembly, Clear	<b>K8550C095A</b>
Interior Lens Assembly, Green	<b>K8550C095A-04</b>
Interior Lens Assembly, Magenta	<b>K8550C095A-07</b>
Interior Lens Assembly, Red	<b>K8550C095A-03</b>
24 Vdc Mechanism	<b>K8436107F-05</b>
Strobe Tube	<b>K8107159A</b>