

► Model I-IP100AC and I-IP100DC Series C

Informer100 Speaker

Federal Signal's Informer product line now includes an IP-enabled high-powered outdoor speaker. The Informer100 Speaker can be used as a notification device using tones and/or voice. Pair this model with a Federal Signal Commander® system for additional capabilities; for instance, it can be equipped with up to four local alarm initiation devices to activate the unit locally and to activate the Commander controller for mass notification communications.

The Informer100 Speaker has an internal 100 watt amplifier and driver to deliver intelligible voice messages from pre-recorded files or from the Federal Signal Commander VOIP network system. Ambient Level Monitor enables speaker to automatically adjust speaker volume in relationship to ambient noise level. It also has remote volume control for optimizing sound levels across your alerting area.

Notifications and alerts can be live voice, text-to-speech, pre-recorded messages and/or tone files. When used with optional Commander notification software, alert messages initiated from the Informer100 Speaker can be sent to emergency personnel via email, SMS, hand-held radios; and can also be used to activate other Informer units and sirens.

Informer100 Speaker includes two relay outputs for controlling strobes or other devices. It's designed for outdoor use or large indoor structures; and available in 24VDC or 120/240VAC. All wiring interfaces accessible via internal connectors for quick and easy installation.

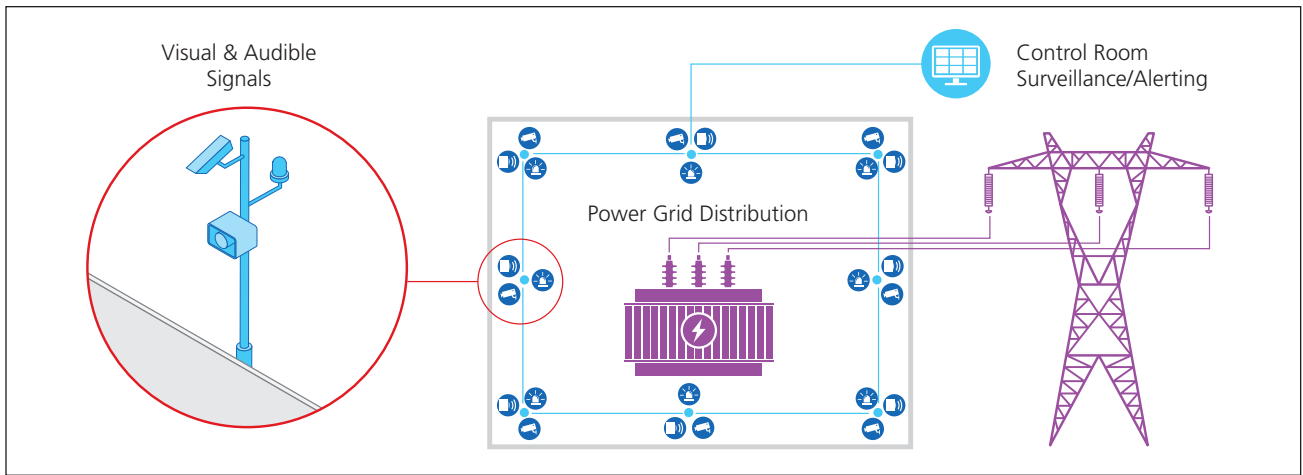
The Informer100 Speaker is an ideal solution for existing notification systems where lack of coverage exists and the unit can be used as a call station where emergency alert buttons are required.

F E A T U R E S

- Indoor/Outdoor IP enabled speaker with high powered voice and tone
 - Available in 24VDC or 120/240VAC
 - Ambient SPL monitor with automatic volume control
 - Remote volume control
 - Broadcasts live voice, text-to-speech and prerecorded voice or tone files
 - Integral 100 watt amplifier and Ethernet interface simplifies installation
 - Optional scrolling message display
 - Remote firmware updates over Ethernet
 - 17 hours of audio storage with up to 4000 .WAV files**
 - 163 standard messages included
 - Fully supervised using Commander software
 - Wall or pole mount available
 - Four initiation inputs, i.e. Panic button alarm or non-networked stand alone mode
 - Two configurable AC/DC relay outputs
 - Optional visual LED or strobe alerting devices available*
 - Web interface for configuration
 - Modbus® TCP Enabled interface for control and monitoring**
 - SIP integrated phone interface for live PA, remote .WAV file and function control using standard SIP phones**
 - NEMA 4X outdoor rated
 - UL and cUL Listed
 - UL Marine Rated
- * Must use visual device rated 2A or less
** Series C feature



Informer100 Speaker (I-IP100AC and I-IP100DC Series C)



SPECIFICATIONS

- Operating Temperature: -40°F to 50°F @ 20% duty cycle/ (-40°C to 104°C)
- One mechanical relay output rated 2 A at 30 Vdc or 250 Vac, 25 A max in rush, N.O. dry contact. One DC solid-state relay output rated 5 A at up to 28 Vdc, current limited
- One AC solid-state relay output rated 1 A at 20 to 264 Vac, zero crossing switched
- Tone and voice compatible with Federal Signal Commander and UltraVoice controllers (Requires Commander version 14.8.x or higher)
- Small size with rugged construction
7 in x 9 in 10 in (178 mm x 229 mm x 254 mm)
- Input: 24VDC, 5.15A maximum 120/240VAC, 50/60Hz, 1.5A/7.8A maximum
- Maximum Sound Pressure Level 120 dB (± 2 dB) @ 10' (130 dB (± 2 dB) @ 1 m)
- Wired Ethernet
- Adjustable volume control and ambient noise monitoring with auto-level adjustment
- Wall or pole mount options
- Up to four direct wire input for customer supplied panic button alarm
- Requires minimal network bandwidth and uses TCP/IP protocol
- Works with redundant Commander network servers for reliable fail-safe operation
- Federal Signal Commander software provides full two-way control and status monitoring of the Informer100
- I-IP100DC Net Weight: 16.2 lbs 7.35 kg
- I-IP100AC Net Weight: 19.2 lbs 8.71 kg

HOW TO ORDER

Description	Part Number
24VDC 100 watt wall mount	I-IP100DC
120/240VAC 100 watt wall mount	I-IP100AC
Small (6" or less) Pole Mount Bracket	I-IP100-PM
Large (over 6") Pole Mount Bracket	I-IP100-PMW
Omni Directional Option for IP Speaker	I-IP100-OMNI
Informer100 Speaker requires Federal Signal Commander application software (sold separately)	
Informer100 Speaker can be field configured or factory pre-configured to customer requirements. Contact your local representative for a quotation.	

OPTIONAL ACCESSORIES

Description	Part Number
Indoor Yellow Station – Push & Turn Reset Button "EVACUATION"	PSEV-Y
Indoor Yellow Station – Push & Turn Reset Button "EVACUATION"; with Sounder Cover	PSEVSC-Y
Indoor Red Station – Push & Turn Reset button "EMERGENCY"	PSEM-R
Indoor Red Station – Push & Turn Reset button "EMERGENCY"; with Sounder Cover	PSEMSC-R
4-button push station (Indoor)	PBS-4
Hazardous Location LED Light 24VDC	225XL-024X^{1,2}
Hazardous Location LED Light 120-240VAC	225XL-120-240X^{1,2}

SERVICE PARTS

Description	Part Number
IP Controller Service Part	Q-20000314
AC Speaker Service Part	Q-IP100AC
DC Speaker Service Part	Q-IP100DC

¹ "X" Indicates color: (A) Amber, (B) Blue, (C) Clear, (G) Green, and (R) Red

² The light is powered from the same source as the speaker

See <https://www.fedsig.com/signaling-devices> for other lighting options

Commander is a registered trademark of Federal Signal Corporation
Modbus® is a registered trademark of Schneider Electric, licensed to the Modbus Organization, Inc
Patent Pending