



► Model MAC-01/MAC-02

Mobile Activation Case Portable radio activation system

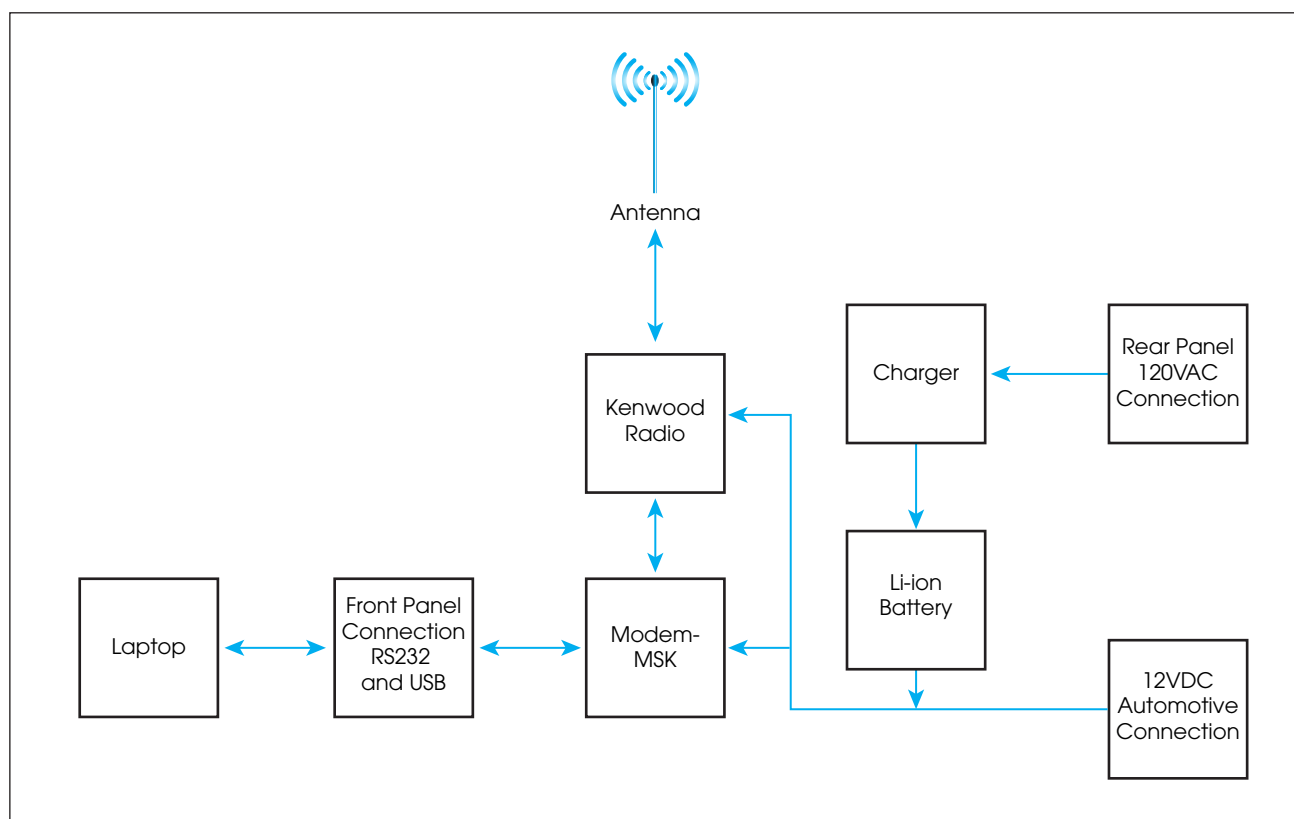
Federal Signal's Mobile Activation Case (MAC) is a portable radio activation system that enables Federal Signal customers to activate their outdoor warning system using radio controls. The Mobile Activation Case comes in two versions, the MAC-01 supports VHF radio networks and the MAC-02 supports UHF radio networks. The MAC-01/MAC-02 is a portable, self-contained radio transceiver with Modem-MSK support, and battery backup. This solution includes a water-resistant backpack for storage, and cables to connect to a user supplied laptop. Federal Signal Commander software is required in order to activate the system.

F E A T U R E S

- 30 Watt radio transceiver installed (VHF or UHF)
- Federal Signal Modem-MSK universal transceiver
- USB port and backup RS232 port for connecting to your laptop
- USB and RS232 serial cables
- Bulkhead mounted female BNC antenna receptacle
- Rubber duck antenna
- Long-lasting rechargeable Li-ion battery with built-in battery charger
- Eight hour standby operation followed by one hour continuous radio polling operation without AC power, with radio at 10 Watts.
- Ten foot male-male fused automotive accessory power cable to interface 12VDC automotive accessory power receptacle
- AC power receptacle to charge internal battery with removable AC power cable
- Padded water-resistant backpack to store and carry MAC-01/MAC-02 and laptop computer*

* Laptop computer equipped with Federal Signal Commander software must be customer supplied.

Mobile Activation Case – Portable radio activation system (MAC-01/MAC-02)



SPECIFICATIONS

- Utilizes Kenwood NX-700/800 radio
- Front access USB and RS232 ports for PC access
- Front access Modem-MSK radio interface
- Front access BNC antenna port
- Rubber duck antenna standard, other options available
- 120VAC or 12VDC power input (AC input required to charge battery)
- 12V 5Ah Li-ion rechargeable battery
- Onboard 1.5 Amp battery charger
- Operating temperature -30C to +65C
- Humidity range 0-95% non-condensing
- MAC-01/MAC-02 weight 12.5 lbs (5.7kg)
- MAC-01/MAC-02 size (H x W x D) 4" x 10" x 13" (10cm x 25cm x 33cm)

HOW TO ORDER

Description	Part Number
Mobile Activation Case, VHF	MAC-01
Mobile Activation Case, UHF	MAC-02



MAC-01/MAC-02 shown with included accessories.

REPLACEMENT PARTS

Description	Part Number
Replacement Battery	Q15500483