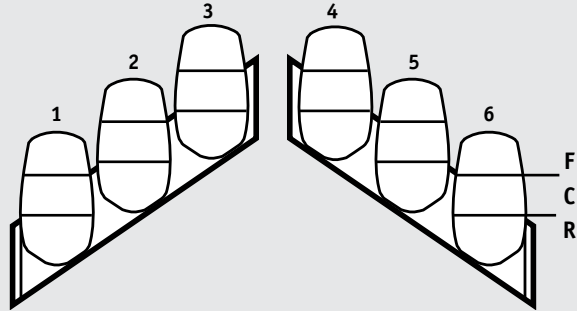
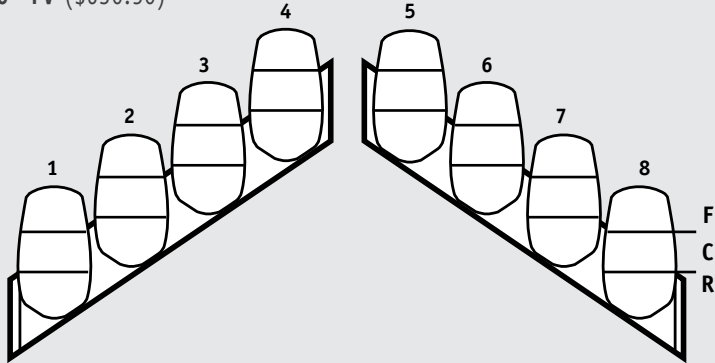


SPECIFY ALL OPTIONS ORDER SHEET

22" FV (\$590.75)



26" FV (\$630.50)



VIEWPOINT (FV)

MODEL NUMBER: F V _____ Y
FAMILY PREFIX LENGTH OF BAR SEQUENTIAL #

How to Order:

1. Fill in Lightbar using reference numbers from Options list.
2. Left to right, fill in the reference numbers for the corresponding areas in Reference A.
3. Search for existing models using the DataWorks screen (CCC inquiry). Family prefix, length, and Center/1st string are required for the search.
4. All lens and dome colors must be entered as line notes on the order. Any items not on the Options list, i.e. hook kits, must be entered separately on the order.
5. Fax to FS Customer Support at 800/682-8022.

BASE PRICE: _____

Qty	Ref. Code	Option	Description	Notes	List Price	Total
	1	None	No option specified in this position		\$0.00	
	3	V-TD-S	(1) Takedown Light	1 rear option avail.	\$32.50	
	6	V-CAL-S	(1) Cal. Steady Burn Light	1 rear option avail.	\$41.75	
	8	V-ROT-S	(1) 95 FPM Rotator	1 rear option avail.	\$95.25	
	9	V-MED-S	(1) 120 FPM Rotator	1 rear option avail.	\$95.25	
	10	V-FAST-S	(1) 175 FPM Rotator	1 rear option avail.	\$95.25	
	12	V-OSC-S	(1) Front Oscillator	1 rear option avail. (ctr. string)	\$95.25	
	13	V-OSCR-S	(1) Front, Right Facing Oscillator	1 rear option avail. (ctr. string)	\$95.25	
	14	V-OSCL-S	(1) Front, Left Facing Oscillator	Not avail. for 21" 1 rear option avail. (ctr. string)	\$95.25	
	15	V-OSCR-R-S	(1) Rear Oscillator	Not avail. for 21" no other options avail. (ctr. string)	\$95.25	
	20	V-WORK-S	(1) Work Light	rear only	\$32.50	
	21	V-TCLF-S	(1) Front Traffic Clearing Light	no other options avail. (ctr. string)	\$173.25	
	25	V-ROT24-S	(1) 95 FPM Rotator, 24V		\$95.25	
	26	V-FAST24-S	(1) 175 FPM Rotator, 24V		\$95.25	
	27	V-OSCL24-S	(1) Front, Left Facing Oscillator, 24V		\$95.25	
	28	V-OSCR24-S	(1) Front, Right Facing Oscillator, 24V		\$95.25	

Contact Information

Contact Name	Date
Phone #	Fax #
Quote/P.O. #	Ref.
CSR Initials	Date
FS Sales Person	

PRODUCT CODE: _____
14301

PART CLASS: _____
EF1

TOTAL LIST: _____

(Excludes Opticom Options)

Opticom (Ordered as Seperate Line Items)

Ref. code	Option	Description	Notes	Qty	List Price	Total
1E	V-3M792H-A	3M792H Opticom emitter and bracket installed	• PODs 2-5, 6-POD ViewPoint	\$2,099.00		
1B	V-3MBKT-A	3M792H bracket installed	• PODs 2-7, 8-POD ViewPoint	\$38.25		