



New external Opticom® option for lightbars



A new “external-mount” Opticom is now available as an option for use with several Federal Signal lightbars. The new 795H-EXT can be ordered with mounting brackets and hardware for attaching the emitters to Federal Signal’s Vision SLR, Valor, Legend and Arjent S2 lightbars. Opticom 795H kits can be installed on new lightbars as well as installed as an upgrade on existing lightbars.

Features:

- 795H Opticom InfraRed (IR) LED emitter in sealed housing
- 25-foot control cable with connector compatible with programmable “GTT Interface Cable Assembly”
- 1-foot inline programming cable with a connector compatible with the “GTT Interface Cable Assembly”
- Bracket (driver-side or passenger-side)
- Hardware kit

Opticom 795H-EXT models are now available to order with expected initial shipments in October

Figure 1 Bracket attached to Opticom (all lightbar platforms)

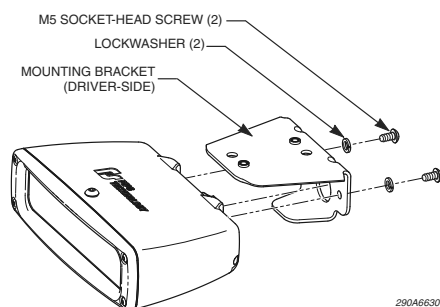
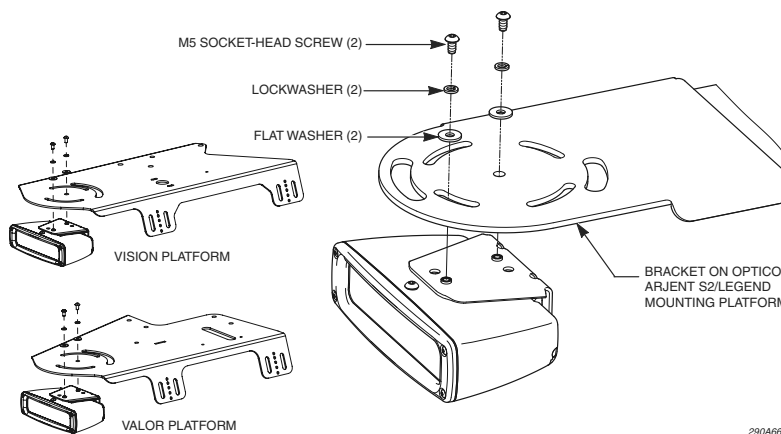


Figure 2 Opticom attached to Federal Signal mounting platforms





New external Opticom option for lightbars

| Model # | Description | List Price |
|---|---|-------------|
| Options for Valor lightbars | | |
| 795H-EXT-VALRD | 795H Opticom in sealed housing with bracket for "driver-side" mounting on Valor lightbars | \$ 2,399.00 |
| 795H-EXT-VALRP | 795H Opticom in sealed housing with bracket for "passenger-side" mounting on Valor lightbars | \$ 2,399.00 |
| Options for Vision SLR lightbars | | |
| 795H-EXT-VD | 795H Opticom in sealed housing with bracket for "driver-side" mounting on Vision SLR lightbars | \$ 2,399.00 |
| 795H-EXT-VP | 795H Opticom in sealed housing with bracket for "passenger-side" mounting on Vision SLR lightbars | \$ 2,399.00 |
| Options for Legend lightbars | | |
| 795H-EXT-LGDD | 795H Opticom in sealed housing with bracket for "driver-side" mounting on Legend lightbars | \$ 2,399.00 |
| 795H-EXT-LGDP | 795H Opticom in sealed housing with bracket for "passenger-side" mounting on Legend lightbars | \$ 2,399.00 |
| Options for Arjent S2 lightbars | | |
| 795H-EXT-ARJD | 795H Opticom in sealed housing with bracket for "driver-side" mounting on Arjent S2 lightbars | \$ 2,399.00 |
| 795H-EXT-ARJP | 795H Opticom in sealed housing with bracket for "passenger-side" mounting on Arjent S2 lightbars | \$ 2,399.00 |

Note: "GTT Interface Cable Assembly" sold separately, not available from Federal Signal

795H-EXT kits are NOT compatible with Legend HotFoot mounts.

When ordered with a new lightbar, 795H-EXT emitters are packaged separately from the lightbar. They do not ship pre-attached to the lightbar.