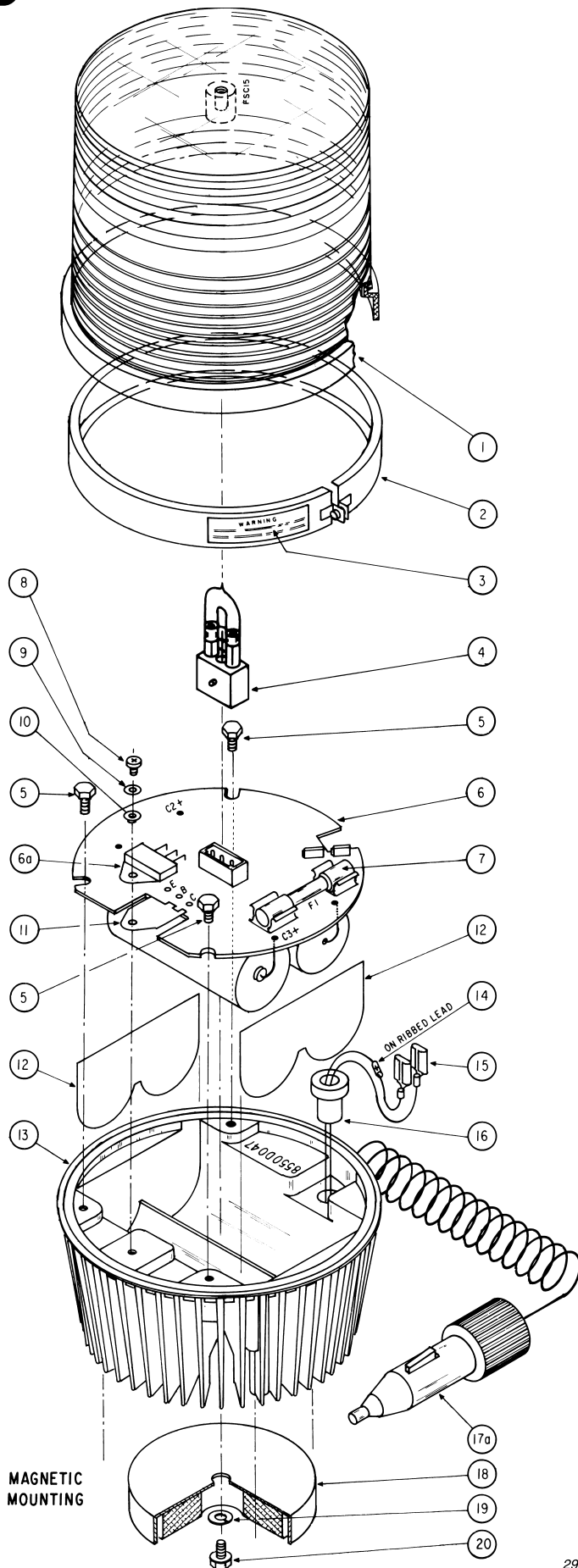
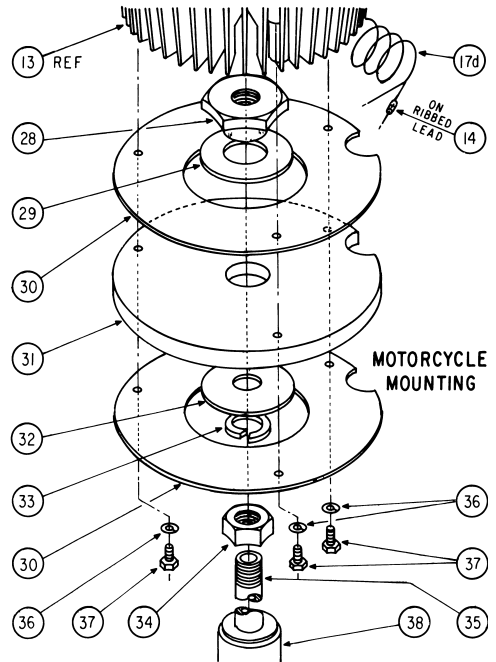
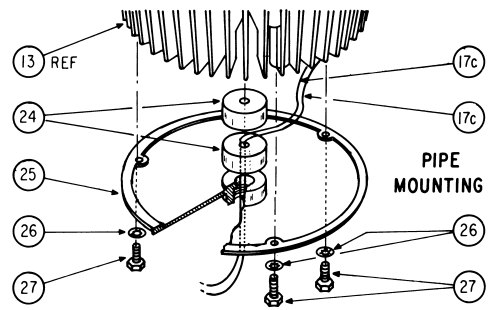
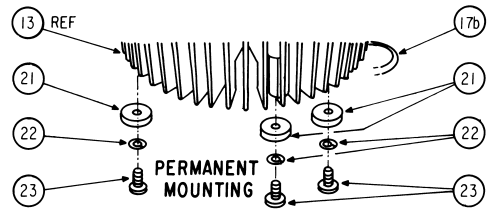


FireBall® STROBE
FB2DST, FB2MDST, AND FB2PDST
SERIES A AND SERIES B



MOUNTING DETAILS AT REDUCED SCALE



FireBall® Strobe

Models FB2PDST, FB2DST, and FB2MDST Series A and B

PPL 0192
PARTS LIST

Printed 1999

Item No.	Description	Part No.	FB2PDST-012V&024V	FB2DST-012V&024V	FB2PDST-120V&240V	FB2MDST-012V
1	Dome, Clear	Z8550C095A	1AR	1AR	1AR	1AR
	Dome, Blue	Z8550C095A-01				
	Dome, Amber	Z8550C095A-02				
	Dome, Red	Z8550C095A-03				
	Dome, Green	Z8550C095A-04				
	Dome, CIE Blue	Z8550C095A-05				
2	Band, Retaining, Assembly	Z8550A015A	1	1	1	1
3	Label, WARNING	Z8146A758A	1	1	1	1
4	Flashtube Assembly	Z8107A129B	1	1	1	1
5	Screw, 6-32 x 1/4 Hex Hd., Taptite	Z7011A028-04	3	3	3	3
6	Printed Circuit Board Assy., Series A and B					
	12V -012	Z2001069C	1AR	1AR		1AR
	24V -024	Z2001069C-01	1AR	1AR		
	120V -120	Z200D866F			1AR	
	240V -240	Z200D866F-01			1AR	
7	Fuse, 4 Amp. 3AG	Z148A132A	1	1		1
	Fuse, 1/2 Amp., 3AG, Slo-Blo	Z148A141A			1	
8	Screw, 4-40 x 5/16 Pan. Hd., Taptite	Z7011A053-05	1	1	1	1
9	Washer, Flat, Fiber	Z7072A171	1	1	1	1
10	Washer, Shoulder	Z7076A012	1	1	1	1
11	Insulator, Transistor	Z235A130B	1	1	1	1
12	Insulator, Mylar, Flash Capacitor	Z8550A048A	2	2	2	2
13	Housing, Strobe	Z8550D047C	1	1	1	1
14	Marker (+)		0	1	0	2
15	Terminal		2		2	
	Terminal			2		2
16	Bushing, Strain Relief	Z231A147	1	1	1	1
17a	Coiled Cord	Z8550B052B		1		
17b	Wire Kit, Terminated (one red and one -black)		1			
17c	Wire, Term. (White)				1	
	Wire, Term. (Black)				1	
17d	Coil Cord, Motorcycle Mtg.					1
18	Magnet Assembly	Z8550A012A		1		
19	Lockwasher, #10 Split	Z7074A010		1		
20	Screw, 10-32 x 1 In Hex Hd.	Z7011A064-08		1		
21	Washer, Rubber	Z7072A172	3			
22	Lockwasher, #8 Split	Z7074A004	3			
23	Screw, 8-32 x 1/2 Pan Hd.	Z7011A062-08	3			
24	Seal, Wire	Z8444A207A			2	
25	Flange, Mounting	Z8241B017J-03			1	
26	Lockwasher, Int. Tooth	Z7075A075			3	
27	Screw, 8-32 x V2, Hex Hd.	Z7011A023-08			3	
28	Bushing					1
29	Washer, Stainless Steel (.640 ID)	Z7072A210				1
30	Retainer, Shock Mount					2
31	Diaphragm					1
32	Washer, Stainless Steel (.373 ID)	Z7072A209				1
33	Lockwasher, Split	Z7074A046				1
34	Nut, Jam, 3/8-24	Z7057A053				1
35	Mast Extension Assembly					1
36	Lockwasher, Split	Z7074A005				3
37	Screw, 8-32 x 5/16 Hex Hd.	Z7011A133-12				3
38	Mast Assembly					1
Not Shn.	Accessory Kit, Swivel Base and Shield	Z8550A029A		1		

DO NOT ORDER PARTS BY ITEM NUMBER.
Give model, description and part number.
When a part number is not supplied, the part is **NOT** available.
Refer to PARTS PRICE LIST (Part No. 1001) for prices of parts.

Federal Signal Corporation
2645 Federal Signal Drive
University Park, IL 60466

Printed in U.S.A.