

Safety Message to Installers and Service Personnel of Warning Light Equipment

⚠ WARNING

People's lives depend on your proper installation and servicing of Federal Signal products. It is important to read and follow all instructions shipped with this product and the original product. In addition, listed below are some other important safety instructions and precautions you should follow:

- To properly install the lighting system, you must have a good understanding of automotive systems, along with proficiency in the installation and use of safety warning equipment.
- Do not install equipment or route wiring in the deployment path of an airbag.
- If a vehicle seat is temporarily removed, verify with the vehicle manufacturer if the seat needs to be recalibrated for proper airbag deployment.
- Do not stare into the lights at close range or permanent damage to your eyesight may occur.
- You should frequently inspect the light system to ensure that it is operating properly and that it is securely attached to the vehicle.
- When drilling into a vehicle structure, be sure that both sides of the surface are clear of anything that could be damaged.
- Refer to the instructions packed with related products for additional precautions and information.
- File these instructions in a safe place and refer to them when maintaining and/or reinstalling the product.

Failure to follow all safety precautions and instructions may result in property damage, serious injury, or death.

Introduction

This publication has instructions for mounting the Model 454201 HighLighter™ LED mini-lightbar to a vehicle with the two Flat Mounting Brackets and the Adjustable Mounting Bracket supplied with the kit.

Unpacking the Kit

After unpacking the kit, inspect it for damage that may have occurred in transit. If it has been damaged, do not attempt to install or operate it. File a claim immediately with the carrier, stating the extent of damage. Carefully check all envelopes, shipping labels, and tags before removing or destroying them. Ensure that the parts listed in Table 1 on page 2 are included in the package. If you are missing any parts, contact Customer Support at 1-800-264-3578, 7 a.m. to 5 p.m., Monday through Friday (CT).

Table 1 Kit contents

Qty.	Description	Part Number
1	Adjustable Bracket	8560123
4	0.25" x 20-0.50" Carriage Bolt	7004A020-08
4	Nut, Hex Ext Keps®, Steel, 0.25"-20	7058A005

Note: Installer-supplied mounting hardware to mount the lightbar to the vehicle is required. See step 6 on page 3.

Mounting the ILS in the Vehicle

⚠ WARNING

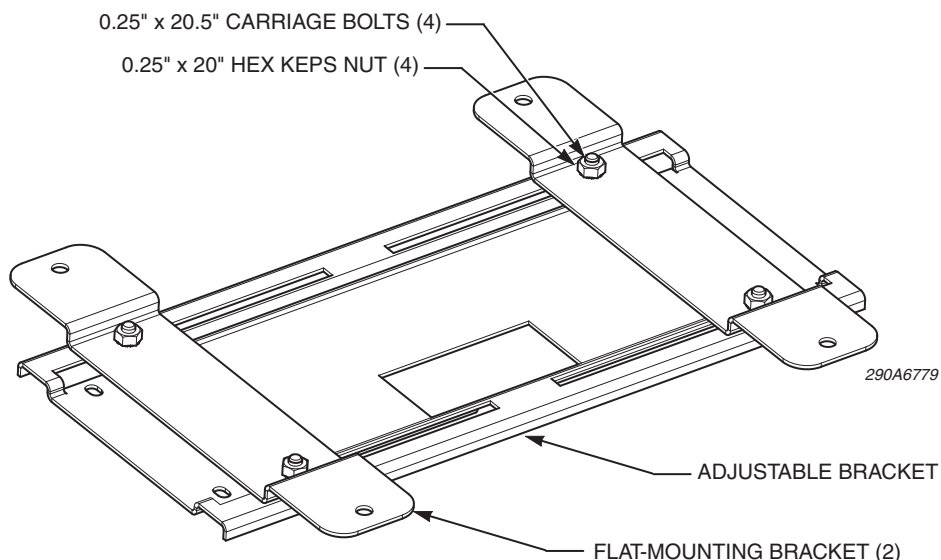
AIRBAG DEPLOYMENT—Do not install equipment or route wiring in the deployment of an airbag. Failure to observe this warning will reduce the effectiveness of the airbag or potentially dislodge the equipment, causing serious injury or death.

⚠ WARNING

DRILLING PRECAUTIONS—Before drilling holes, check the area into which you plan to drill to ensure you do not damage vehicle components. All drilled holes should be de-burred and all sharp edges should be smoothed. All wires going through drilled holes should be protected by a grommet or convolute/split-loom tubing.

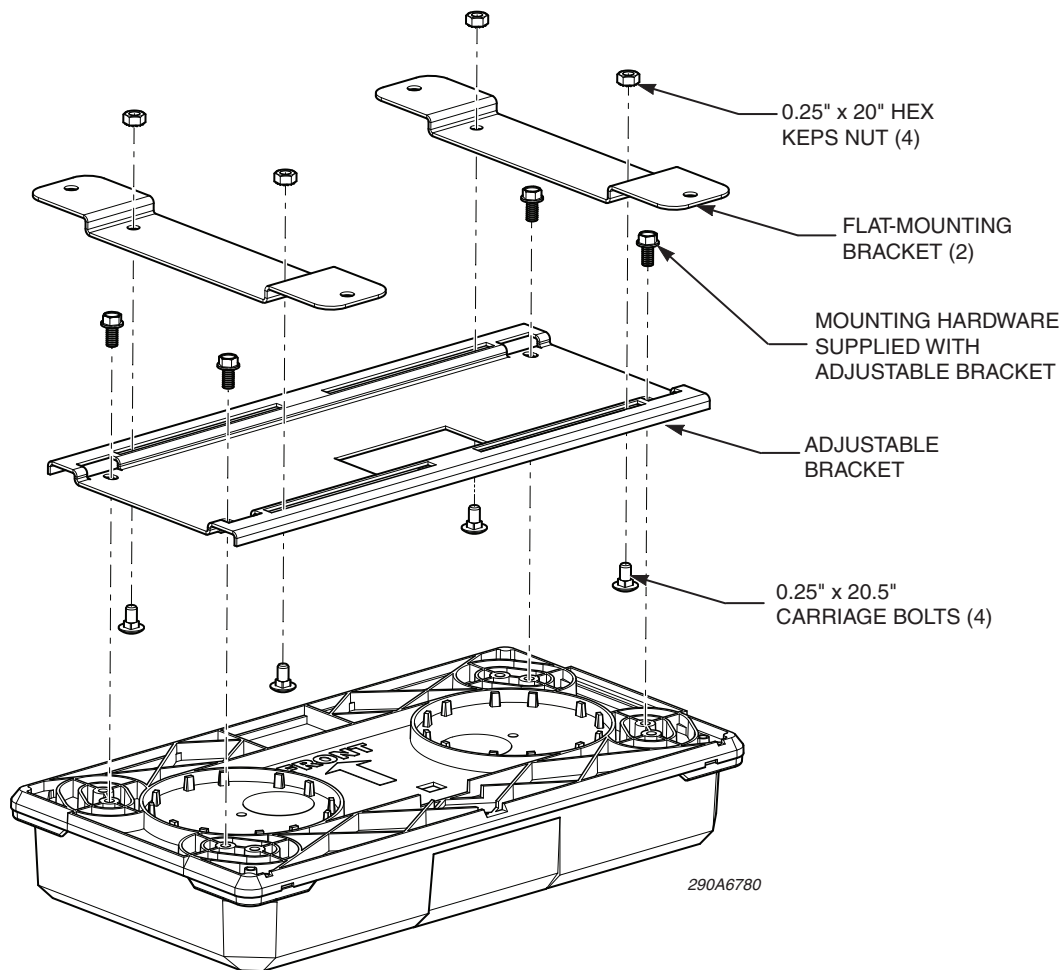
1. Determine the mounting location for the lightbar.
2. See Figures 1 and 2. Loosely fasten each flat-mounting bracket to the bottom of the adjustable bracket with the supplied 0.25" x 20-0.50" carriage bolts and the 0.25" x 20 hex Keps nuts. **Remember to secure the flat-mounting brackets to the adjustable bracket after you select the proper distance.**

Figure 1 Flat-mounting bracket secured to adjustable bracket



3. See Figure 2. Secure the adjustable bracket to the four holes on the bottom of the lightbar base using the mounting hardware supplied with the Highlighter.
4. After selecting the proper spacing distance for the flat-mounting brackets, secure them to the adjustable mounting bracket.

Figure 2 Adjustable bracket secured to lightbar base



5. Using the lightbar with the brackets installed as a template, mark the locations of the four mounting holes.
6. Select installer-supplied hardware appropriate for mounting the Highlighter to the vehicle. The holes in the flat-mounting brackets are 0.280" diameter. Drill a hole sized for the installer-supplied hardware at the four marked locations.
7. Secure the lightbar to the mounting surface using the installer-supplied mounting hardware.
8. Wire the lightbar according to the instructions included with it.

Getting Technical Support and Service

For technical support and service, please contact:

Federal Signal Corporation
Service Department
Public Safety Systems
Phone: 1-800-433-9132
Fax: 1-800-343-9706
Email: empserviceinfo@fedsig.com

Ordering Replacement Parts

To order replacement parts, please contact your local dealer/distributor or:

Customer Support
Federal Signal Corporation
Phone: 1-800-264-3578

Returning a Product to Federal Signal

Before returning a product to Federal Signal, call 800-264-3578, 800-433-9132, or 800-824-0254 to obtain a Returned Merchandise Authorization number (RMA number). To expedite the process please be prepared with the following information:

- Your Federal Signal customer or account number.
- The purchase order number under which the items were purchased.
- The shipping method.
- The model or part number of the product being returned.
- The quantity of products being returned.
- Drop ship information as needed.
- Any estimate required.

When you receive your RMA Number:

- Write the RMA number on the outside of the box of returned items.
- Reference the RMA number on your paperwork inside of the box.
- Write the RMA number down, so that you can easily check on status of the returned equipment.

Send all material with the issued RMA Number to:

Federal Signal Corporation
Public Safety Systems
2645 Federal Signal Drive
University Park, IL 60484-3167
Attn: Service Department
RMA: # _____

800-433-9132
800-343-9706 (fax)
www.fedsig.com

Highlighter is a trademark of Federal Signal Corp.
Keys is a registered trademark of Illinois Tool Works Inc.