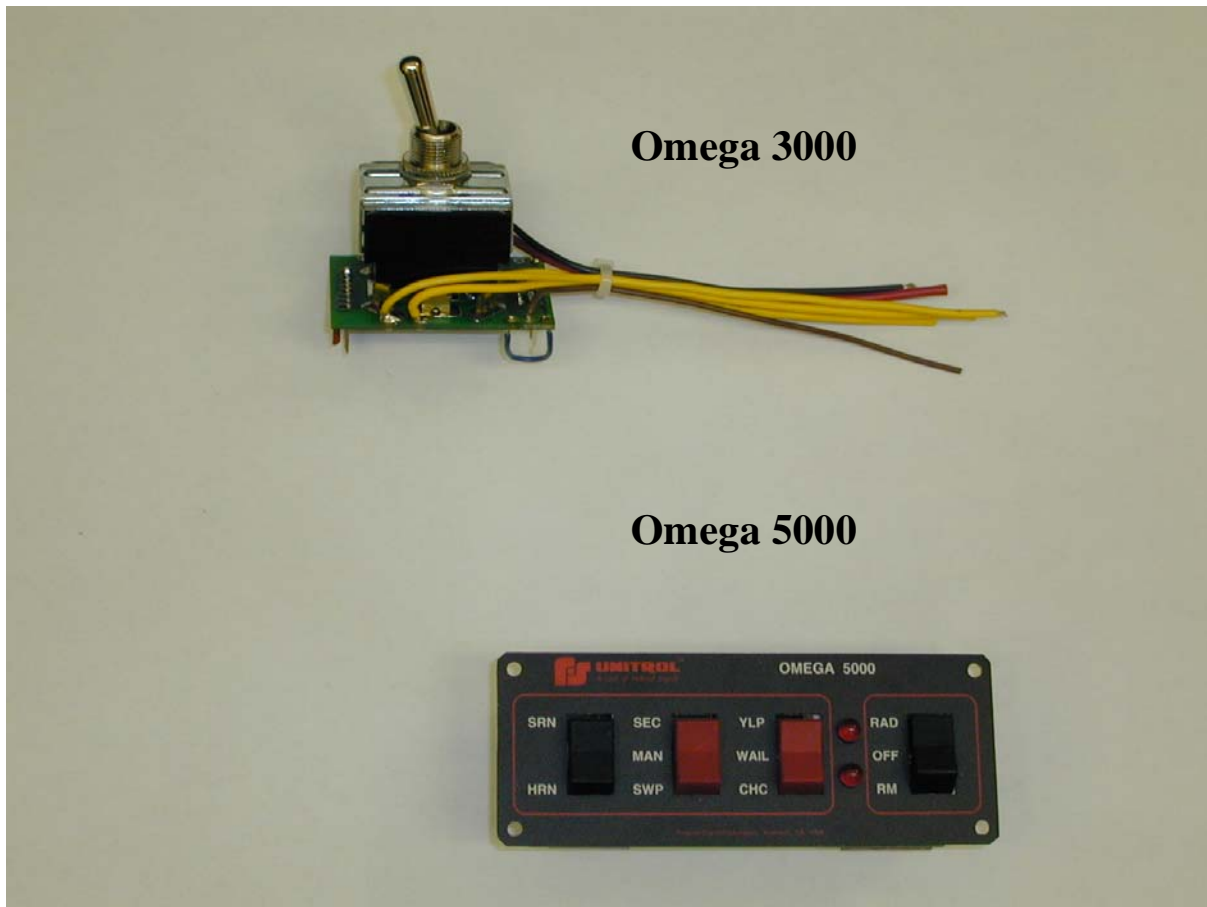


INSTALLATION

Omega 3000 and 5000 Controllers

For use with Omega 90 Siren / P.A. Amplifiers



OPERATION

Omega 3000 and 5000 Controllers

Common Features

SWEEP™: Sweep is a new process that makes the siren more attention getting at intersections and in heavy traffic. Requiring little effort on your part. Sweep makes the siren switch through up to 7 different sounds automatically.

The Sweep mode starts when the SRN switch is pressed once during Wail or any other automatic sound. Pressing the SRN switch again stops the Sweep and returns the siren to normal operation.

The 7 sounds below were factory pre-set to operate during Sweep; however, the installer, to satisfy other requirements may have changed factory pre-sets.

Wail

Hi-Lo (2 tone or 4 tone)

Yelp

Hetro (fast Hi-Lo)

Futura (fast Yelp)

Alarm (Special tone)

Air Horn

DUAL-MODE SYSTEM: If installed, a Dual-Mode system will produce 2 sets of different sounds at the same time and at higher sound levels. This is a fully automatic function requiring no changes in operating process.

SIREN KILL: If connected, the siren will automatically stop when the vehicle is shifted to park gear. The siren will remain quiet until the vehicle is shifted out of park.

BURGLAR/HEAT ALARM: If connected, this feature will produce a special siren-loud tone 8 seconds after a door or the trunk is opened by unauthorized persons. In a K9 carrier, the tone will alert you to an interior temperature in excess of 100 degrees F.

The Alarm will be cancelled if the door or trunk is closed within 8 seconds.

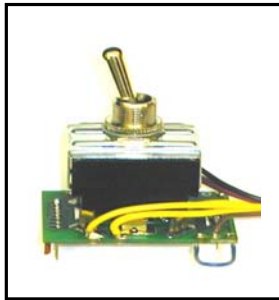
The on/off switch location can be verified with the installer.

PUBLIC ADDRESS: A separate microphone can be used with all models to make public address announcements. Announcements are made by pressing the microphone Push-To-Talk button. The siren, if operating, will stop until the button is released.

Model 5000 can be used with a separate or radio microphone. See “Public Address” section, Model 5000.

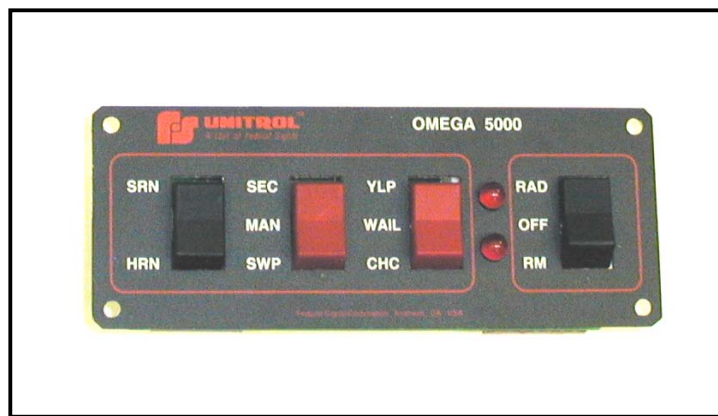
Individual Features Model 3000

Toggle controls a warning light (or headlight flasher), siren and vehicle horn button.



- DOWN:** Warning light off, Siren off, vehicle horn button operates the vehicle horn.
- MIDDLE:** Warning light on, Siren operates only by pressing the horn button.
- UP:** Warning light on, Wail on, Sweep operates with the horn button.

Model 5000



MANUAL CONTROLS

SRN: Operates Sweep and other features below.

HRN: Operates electronic Air Horn.

OPERATING MODES

MAN: Siren operates only with SRN switch. Brief tap supplies short burst. Prolonged pressing holds siren at peak tone.

SEC: Siren operates in WAIL, YELP or CHC, SRN Switch operates Second Sound.

SWP: Siren operates in WAIL, YELP or CHC. SRN operates Sweep.

PUBLIC ADDRESS

RAD: Amplifies incoming radio calls over siren speaker. Adjust loudness with radio's volume control.

RM (Not functional with separate microphone): Switches in radio mic for public address. Make announcement by pressing microphone push-to-talk button.

WARNING: Radio will not transmit radio calls while switch is set for RM

NOTE - WARNING LIGHT INTERLOCK

Model 5000 can be interlocked with a warning light. With this arrangement, no automatic sound will operate until the warning light is turned on.

INSTALLATION

MODEL 3000 GENERAL INFORMATION

1) SIREN/P.A. AMPLIFIER

Install per Omega 90 Installation Manual

2) WIRE CONNECTIONS

BLACK: Ground to Battery (-)
RED: Power to Battery (+)
YELLOW: To Warning Light or Flasher
BROWN: Siren Kill, see *Item 3*

JUMPERS

WHITE: Establishes Wail as Primary Sound. (Moving jumper to another Ref Des will change the primary sound)

BLUE: Enables Sweep by Pressing Horn Ring.
Cutting Jumper Disables Sweep and Enables Second Sound.

3) SIREN KILL™ - All Models

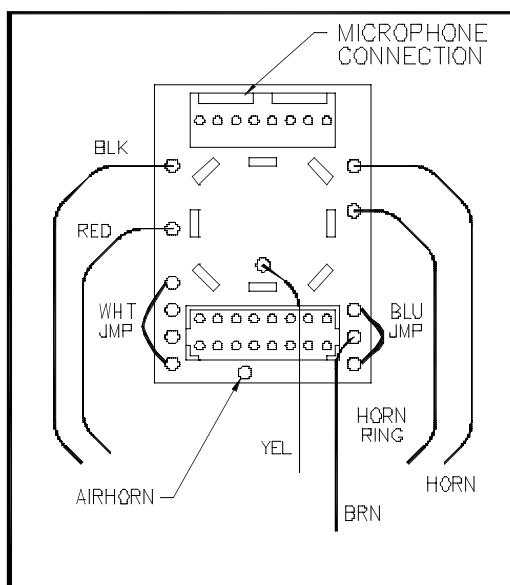
This feature automatically stops the siren when the vehicle is shifted to Park gear. If wanted,

- a) T-connect Brown wire into vehicle wire that runs from Park/Neutral switch to vehicle computer.

4) AIR HORN CONTROL – Model 3000

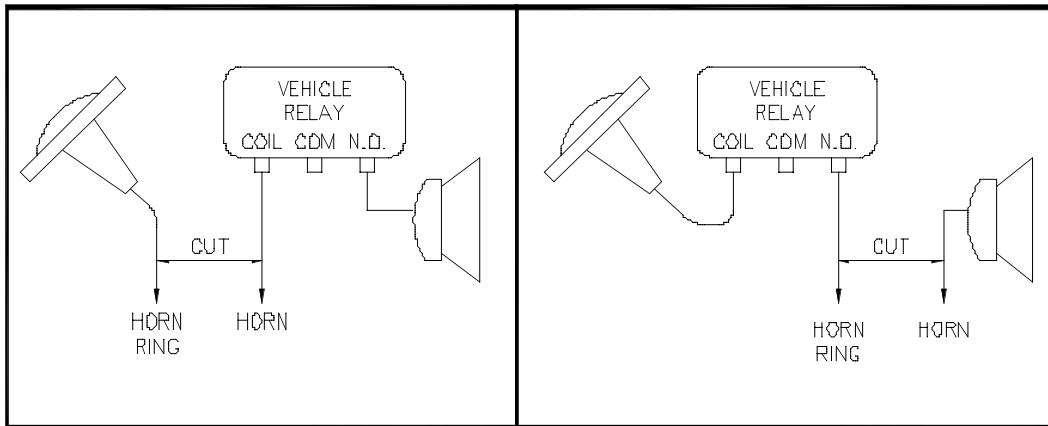
Model 3000 controller does not have a switch for operating the Air Horn sound. If control is wanted,

- a) Install a low current pushbutton switch.
- b) Connect one switch terminal to vehicle chassis (-) using 18 ga. Wire.
- c) Connect remaining switch terminal to a wire that is soldered into the circuit board hole marked AIR HORN (see illustration)



5) BURGLAR/HEAT ALARM – All Models

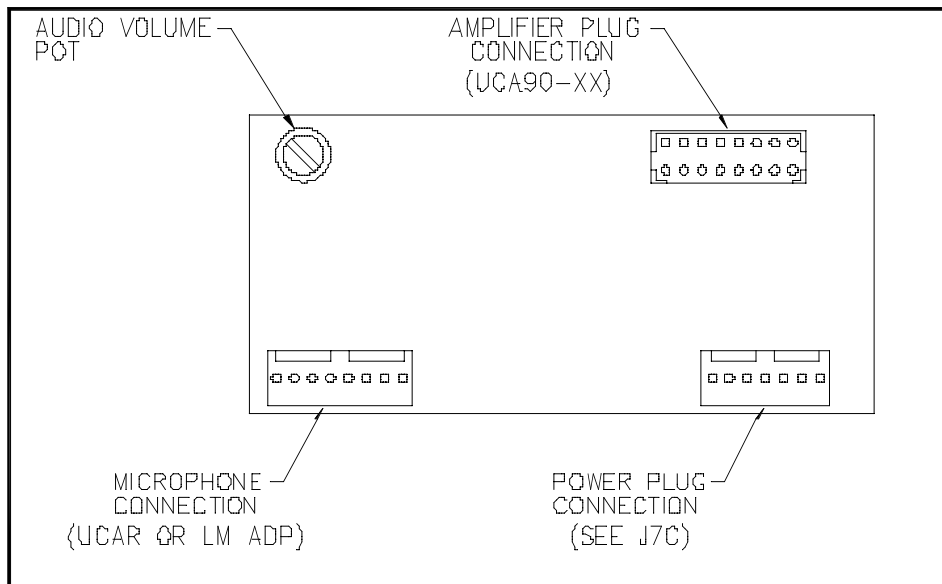
The Omega 90 Amplifier can be used as a burglar alarm or high interior temperature alarm for K-9 carriers. See Omega 90 Manual for details.



HORN RING CONNECTIONS

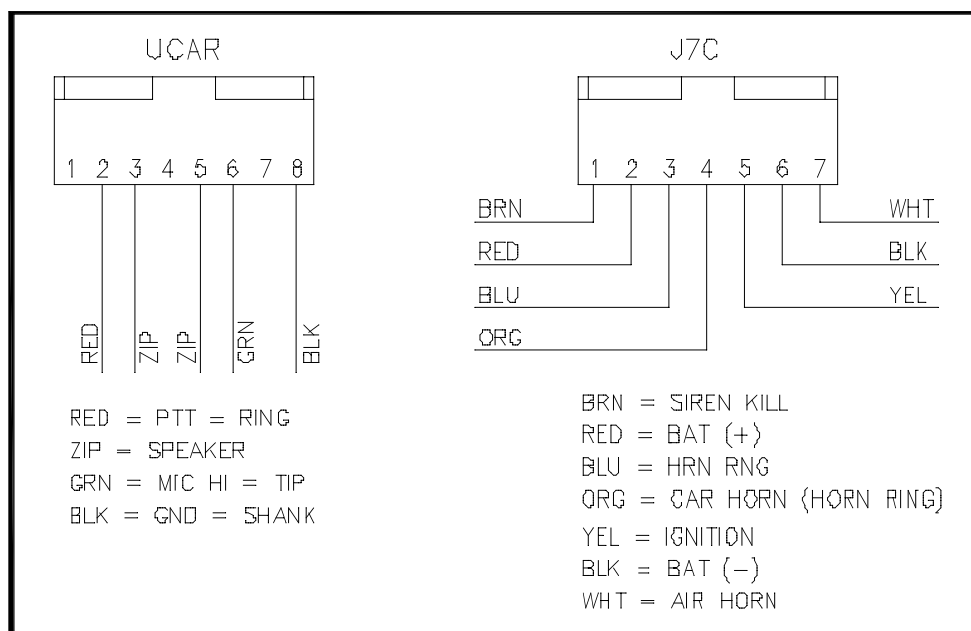
- 1) Cut wire apart at either point shown in illustration above. Extend cut ends with 14 Ga. minimum wire diameter.
- 2) Connect extended ends to circuit board wires marked HORN RING and HORN as shown in illustration above and on the previous page. **DO NOT REVERSE THE WIRE CONNECTIONS.**

MODEL 5000



PANEL MOUNTING

Install a 1-7/16" high x 3-5/8" wide opening in the panel. Utilize #4 screws in each corner of the faceplate.



MICROPHONE CONNECTOR

A separate microphone or radio microphone can be used. A UCAR remote mic adaptor is available for P.A. If the radio mic is preferred, install the proper LM Microphone Adaptor for the appropriate type of radio being utilized.

RADIO REBROADCAST

The Model 5000 can rebroadcast incoming radio calls over the siren speaker. To utilize, locate the zip cord on the UCAR (Pin 3 & 5) and wire in parallel with the radio speaker.

ASSISTANCE

Technical help is available by phone 7:00 AM to 3:30 PM Pacific Standard Time, Monday through Friday, except holidays. (800) 854-3375 is toll free within the United States and Canada. Phone (714) 871-3336 from other areas.

If it is necessary to return a unit, please observe this procedure:

- a) Call for RMA number.
- b) Pack to prevent damage in transit.
- c) Include brief description of problem and RMA No.
- d) Include name and phone number of a person who can be contacted in the event the bench test does not reveal problem experienced with vehicle.

LIMITED WARRANTY

FS Unitrol warrants each new product to be free from defects in material and workmanship under normal use and service for a period of five years on electronic / non-electronic parts and one year labor from date of purchase.

During this warranty period, the obligation of FS Unitrol is limited to repairing or replacing, as Unitrol may elect, any part or parts of such product which, after examination by Unitrol, is found to be defective in material and/or workmanship.

Unitrol will provide warranty for any unit, which is delivered, transported prepaid, to the Unitrol factory for examination when such examination reveals a defect in material and / or workmanship.

This warranty does not cover travel expenses, the cost of specialized equipment for gaining access to the product, or labor charges for removal and re-installation of the product. Labor costs incurred outside the factory are not covered by warranty. Lamps, flash tubes or batteries are not covered under warranty.

Wires extending from units that have been cut off flush to the faceplate, or too short for connection will be considered user preference. They will not be replaced under warranty.

This warranty does not extend to any unit which has been subjected to abuse, misuse, improper installation or which has been inadequately maintained, nor to units which have problems relating to service or modification at any facility other than the Unitrol factory or authorized warranty service centers.

THERE ARE NO OTHER WARRANTIES EXPRESSED OR IMPLIED INCLUDING BUT NOT LIMITED TO ANY IMPLIED WARRANTIES OF MERCHANTABILITY OR FITNESS FOR A PARTICULAR PURPOSE. IN NO EVENT SHALL UNITROL BE LIABLE FOR ANY LOSS OF PROFITS OR ANY INDIRECT OR CONSEQUENTIAL DAMAGES ARISING OUT OF ANY SUCH DEFECT IN MATERIAL OR WORKMANSHIP.