

25500102 REV. A1 1120

Safety Message to Installers of Warning Light Equipment

People's lives depend on your proper installation and servicing of Federal Signal products. It is important to read and follow all instructions shipped with this product and the original product. Listed below are some other important safety instructions and precautions you should follow:

- To properly install this light, you must have a good understanding of automotive electrical procedures and systems, along with proficiency in the installation and use of safety warning equipment.
- The effectiveness of an interior mounted warning light depends on the clarity, the tinting, and the angle of the glass it is being placed behind. Tinting, dirt, defects, and steeply angled glass reduce the light output of the warning light. This may reduce the effectiveness of the light as a warning signal. If your vehicle has dirty, tinted, or steeply angled glass, use extra caution when driving your vehicle or blocking the right of way with your vehicle.
- When drilling into a vehicle structure, ensure that both sides of the surface are clear of anything that could be damaged.
- For the light to function properly, a separate ground connection must be made. If practical, it should be connected to the negative battery terminal.
- Locate the light control so the VEHICLE and CONTROL can be operated safely under all driving conditions.
- To be an effective warning device, an emergency warning system produces bright light that can be hazardous to your eyesight when viewed at a close range. Do not stare directly into the lights at a close range, or permanent damage to your eyesight may occur.
- Do not attempt to activate or deactivate the light control while driving in a hazardous situation.
- Frequently inspect the light assembly to ensure that it is operating properly and that it is securely attached to the vehicle.
- If a vehicle seat is temporarily removed, verify with the vehicle manufacturer if the seat needs to be recalibrated for proper airbag deployment.
- File these instructions in a safe place and refer to them when maintaining and/or reinstalling the product.

Failure to follow all safety precautions and instructions may result in property damage, serious injury,

Overview

The Model SLB-001 (5 inches) and SLB-002 (2.5 inches) mounting kits are designed for mounting a Federal Signal CN SignalMaster directional light or a Latitude Series light in various applications.

Unpacking the Kit

After unpacking the kit, inspect it for damage that may have occurred in transit. If it has been damaged, do not attempt to install or operate it. File a claim immediately with the carrier, stating the extent of damage. Carefully check all envelopes, shipping labels, and tags before removing or destroying them. Ensure that the parts listed in Table 1 on page 2 are included in the package. If you are missing any parts, contact Customer Support at 1-800-264-3578, 7 a.m. to 5 p.m., Monday through Friday (CT).

Table 1 Kit contents

Qty.	Description	Part Number
2	Bolt, 1/4-20 Carriage, 1/2-inch Lg., SS	7004A020-08
2	Nut, 1/4-20 Keps®, SS	7058050
2	Screw, 1/4-inch Type B, HWH, 3/4-inch Lg. Black SS	7011183-12
4	Screw, #10 Pan, 6-Lobe Drive, Type B, 3/8-inch Lg., SS	7011246-06
4	Washer, 1/4-inch, Flat, SS	7072A024
2	Bracket, 2.5-inch L	857300431-2
2	OR Bracket, 5.0-inch L	857300431-5

Attaching the Brackets to the Light Assembly

⚠ WARNING

SEAT REMOVAL PRECAUTION: If a vehicle seat is temporarily removed, verify with the vehicle manufacturer if the seat needs to be recalibrated for proper airbag deployment.

NOTICE

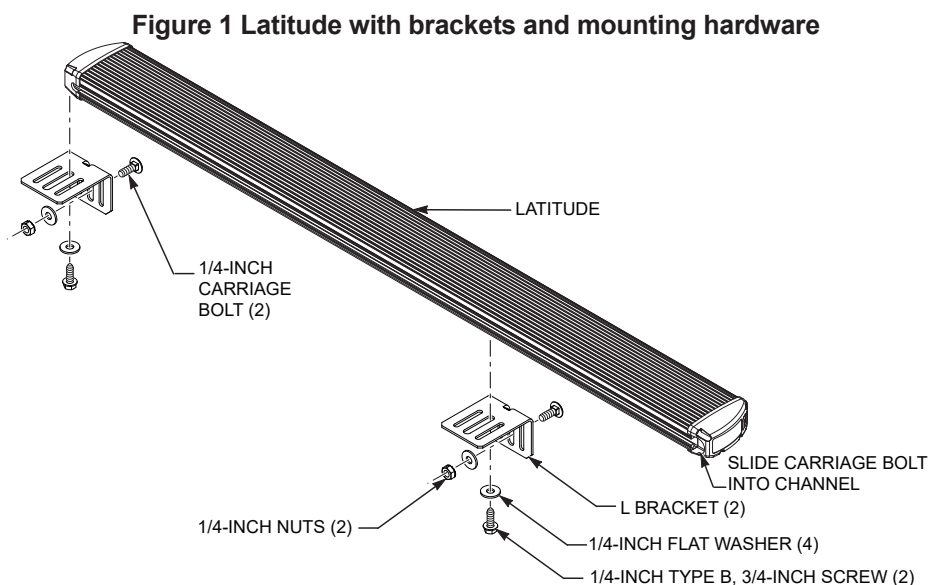
DRILLING PRECAUTIONS: When drilling holes, check the area you are drilling into to ensure that you do not damage vehicle components while drilling. All drilled holes should be deburred, and all sharp edges should be smoothed. All wire routings going through drilled holes should be protected by a grommet or convolute/split loom tubing.

NOTE: For maximum coverage and effectiveness, the light assembly should be mounted in a horizontal orientation. Before installing the shroud, install the CN SignalMaster™ or Latitude™ according to the instructions included with the light assembly.

Latitude

To attach the brackets to the Latitude:

1. Slide two 1/4-inch carriage bolts into the channel on the rear of the light assembly. See Figure 1.

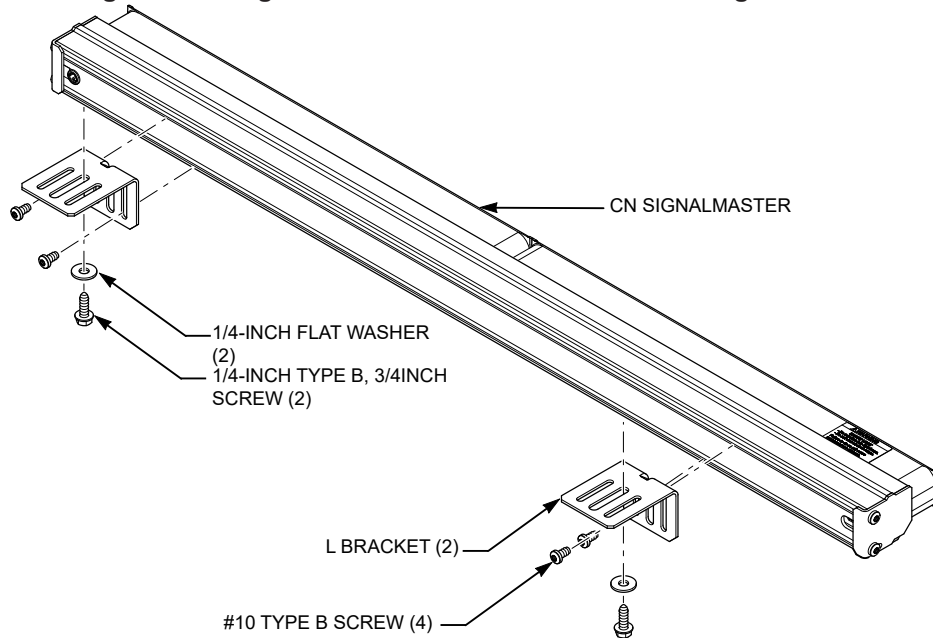


2. Attach two brackets with the 1/4-inch washers and 1/4-inch nuts.

CN Signal Master

Attach two brackets to the rear of the light assembly with four #10 Type B screws. See Figure 2.

Figure 2 CN SignalMaster with brackets and mounting hardware



Mounting the Light Assembly to the Vehicle

To mount the Latitude or CN SignalMaster:

1. Use the assembled unit as a template and scribe position marks for the mounting holes.
2. Drill 0.209-inch diameter (#4 drill) mounting holes at the scribed position marks.
3. If required, locate and drill an appropriate hole for routing the cables.
4. Secure the assembled unit to the mounting surface with two 1/4-inch washers and 1/4-inch Type B screws.
5. Adjust the unit as required and secure all fasteners.
6. Connect the unit as described in the instructions provided with the unit.
7. Test the lights for proper operation.

Getting Technical Support and Service

For technical support and service, please contact:

Service Department
Federal Signal Corporation
Phone: 1-800-433-9132
Fax: 1-800-343-9706
Email: empserviceinfo@fedsig.com
www.fedsig.com

Getting Repair Service

The Federal Signal factory provides technical assistance with any problems that cannot be handled locally.

Any units returned to Federal Signal for service, inspection, or repair must be accompanied by a Return Material Authorization (RMA). Obtain a RMA from a local Distributor or Manufacturer’s Representative.

Provide a brief explanation of the service requested, or the nature of the malfunction.

Address all communications and shipments to the following:

Federal Signal Corporation
Service Department
2645 Federal Signal Drive
University Park, IL 60484-3167

Ordering Replacement Parts

To order replacement parts, call Customer Support at 1-800-264-3578, 7 a.m. to 5 p.m., Monday through Friday (CT) or contact your nearest distributor.

Limited Warranty

This product is subject to and covered by a limited warranty, a copy of which can be found at www.fedsig.com/SSG-Warranty. A copy of this limited warranty can also be obtained by written request to Federal Signal Corporation, 2645 Federal Signal Drive, University Park, IL 60484, email to info@fedsig.com or call +1 708-534-3400.

This limited warranty is in lieu of all other warranties, express or implied, contractual or statutory, including, but not limited to the warranty of merchantability, warranty of fitness for a particular purpose and any warranty against failure of its essential purpose.



2645 Federal Signal Drive
University Park, Illinois 60484-3167

www.fedsig.com

Customer Support
Police/Fire-EMS: 800-264-3578 • +1 708 534-3400
Work Truck: 800-824-0254 • +1 708 534-3400
Technical Support: 800-433-9132 • +1 708 534-3400

© Copyright 2013-2020 Federal Signal Corporation
All product names or trademarks are properties of their respective owners.