

25500657 A0 0620

Safety Message to Installers of Warning Light Equipment

People's lives depend on your proper installation and servicing of Federal Signal products. It is important to read and follow all instructions shipped with this product and the original product. Listed below are some other important safety instructions and precautions you should follow:

- To properly install the lighting system, you must have a good understanding of automotive systems, along with proficiency in the installation and use of safety warning equipment.
- Do not install equipment or route wiring in the deployment path of an airbag.
- If a vehicle seat is temporarily removed, verify with the vehicle manufacturer if the seat needs to be recalibrated for proper airbag deployment.
- Frequently inspect the light system to ensure that it is operating properly and is securely attached to the vehicle.
- When drilling into a vehicle structure, ensure that both sides of the surface are clear of anything that could be damaged.
- Refer to the instructions packed with related products for additional precautions and information.
- File these instructions in a safe place and refer to them when maintaining and/or reinstalling the product.
- Do not stare directly into the lights at a close range, or permanent damage to your eyesight may occur.

Failure to follow all safety precautions and instructions may result in property damage, serious injury, or death.

MPSMW9-SHD Mounting Kit

This publication has instructions for using the MPSMW9-SHD Mounting Kit to mount a pair of MicroPulse® MPSW9 light head to the side mirror bracket of the Ford Interceptor Utility.

NOTE: For electrical installation instructions, refer to the installation and maintenance instructions packed with the light head.

Unpacking the Kit

After unpacking the kit, inspect it for damage that may have occurred in transit. If it has been damaged, do not attempt to install or operate it. File a claim immediately with the carrier, stating the extent of damage. Carefully check all envelopes, shipping labels, and tags before removing or destroying them. Ensure that the parts in the Kit Contents List are included in the package. If you are missing any parts, contact Customer Support at 1-800-264-3578, 7 a.m. to 5 p.m., Monday through Friday (CT).

Mounting Instructions for the MicroPulse MPSW9 Shroud Bracket

Table 1 Kit Contents

Qty.	Description	Part No.
1	MPSW9-SHD Shroud Bracket	861303483A
2	6-32 Phillips Pan Head Stainless Steel Black Oxide Machine Screw	70000787A-08
2	6-32 Stainless Steel Black Oxide EI Stop Nut	70500785A

Installing the Brackets

⚠ WARNING

AIRBAG DEPLOYMENT: Do not install equipment or route wiring in the deployment path of an airbag. Failure to observe this warning will reduce the effectiveness of the airbag or potentially dislodge the equipment, causing serious injury or death.

NOTICE

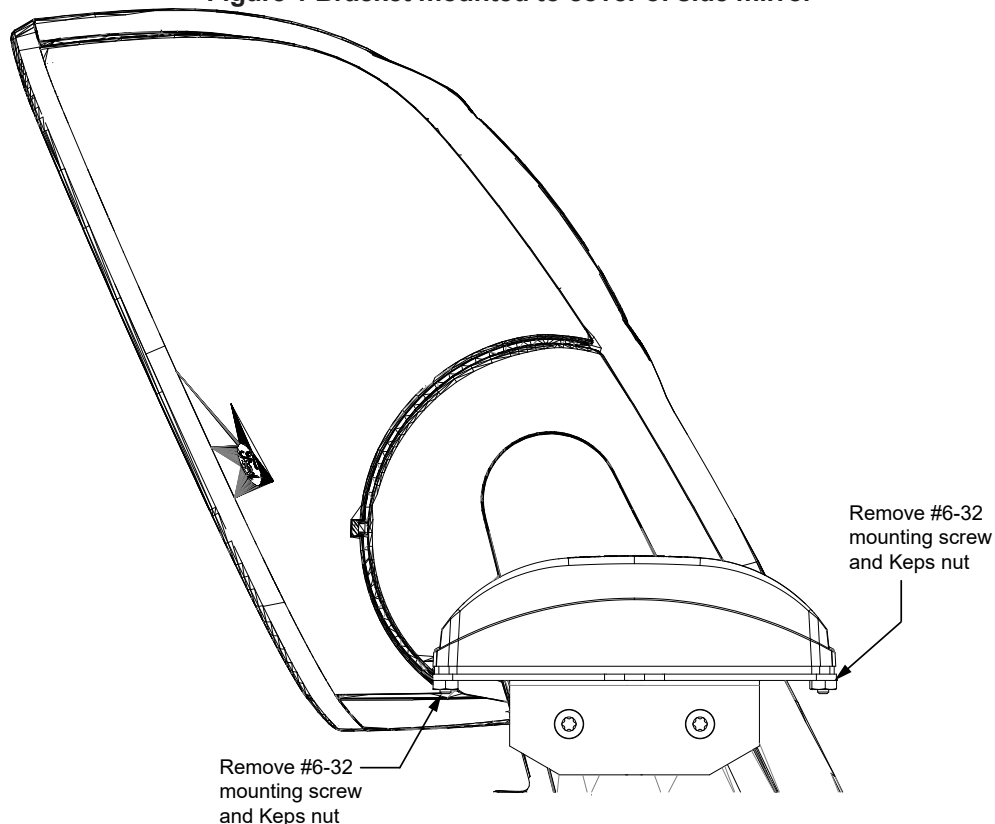
DRILLING PRECAUTIONS: When drilling holes, check the area you are drilling into to be sure you do not damage vehicle components. All drilled holes should be deburred and all sharp edges should be smoothed. All wire routings going through drilled holes should be protected by a grommet or convolute/split loom tubing.

IMPORTANT: Plan all cable routing before the installation.

To mount the shroud bracket:

1. Remove the two #6-32 mounting screws and Keps® Nuts that are fastened to the MPSW9 light and mounting bracket. See Figure 1.

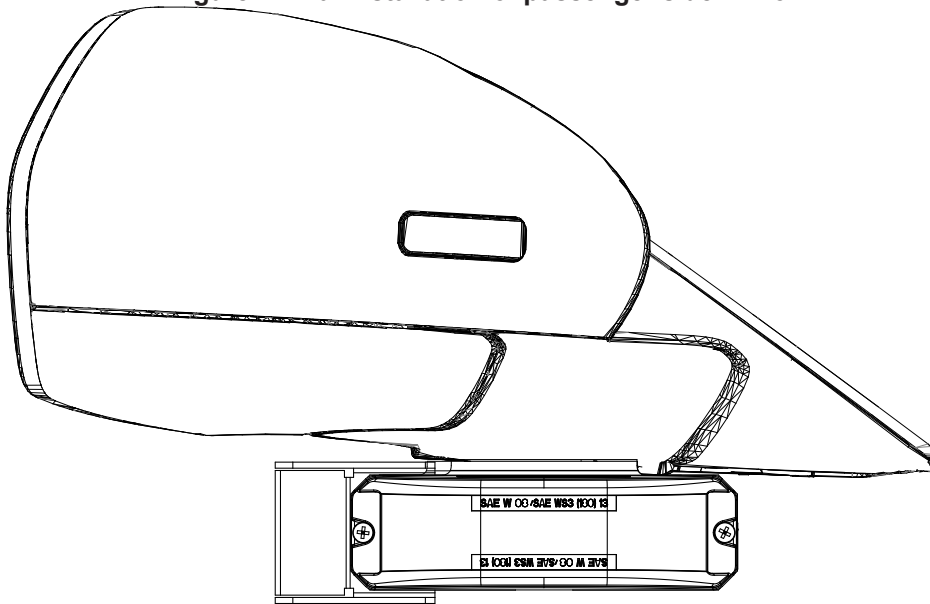
Figure 1 Bracket mounted to cover of side mirror



Mounting Instructions for the MicroPulse MPSW9 Shroud Bracket

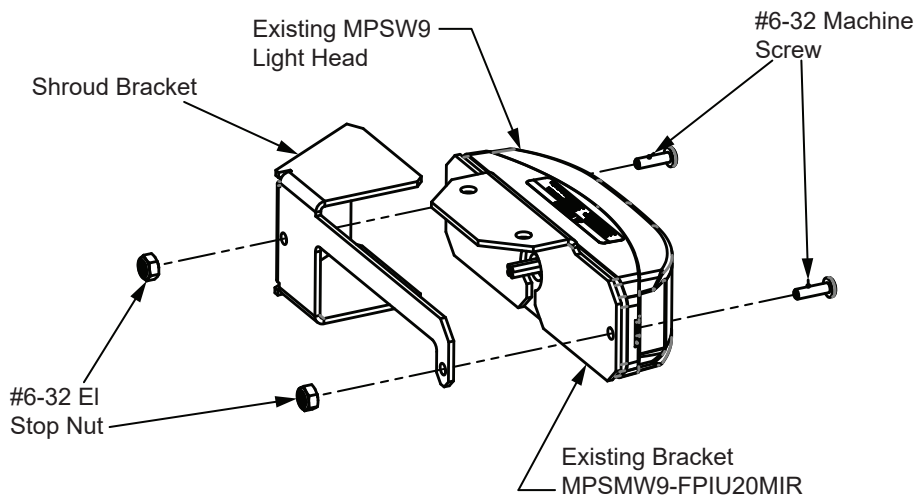
- Position the MPSW9-SHD bracket to the rear of the MPSW9-FPIU20MIR bracket so that the shroud section of the bracket is closest to the front of the mirror as shown in Figure 2.

Figure 2 Final installation of passenger side mirror



- Use the two #6-32 black oxide mounting screws and the two #6-32 black oxide elastic stop nuts to secure the shroud to the mounting bracket. See Figure 2.
- See Figure 3 for final installation.

Figure 3 Final installation



- Repeat steps 1-4 for the other mirror bracket assembly.

WARNING

LIGHT HAZARD: To be an effective warning device, an emergency warning system produces bright light that can be hazardous to your eyesight when viewed at a close range. Do not stare directly into the lights at a close range, or permanent damage to your eyesight may occur.

- Test the light for proper operation.

Getting Technical Support

For technical support, please contact:

Federal Signal Corporation
Service Department
Phone: 1-800-433-9132
Email: empSERVICEinfo@fedSIG.com

Getting Repair Service

The Federal Signal factory provides technical assistance with any problems that cannot be handled locally. Any units returned to Federal Signal for service, inspection, or repair must be accompanied by a Return Material Authorization (RMA). Obtain a RMA from a local Distributor or Manufacturer's Representative. Provide a brief explanation of the service requested, or the nature of the malfunction.

Address all communications and shipments to the following:

Federal Signal Corporation
Service Department
2645 Federal Signal Dr.
University Park, IL 60484-3167

Ordering Replacement Parts

To order replacement parts, call Customer Support at 1-800-264-3578, 7 a.m. to 5 p.m., Monday through Friday (CT) or contact your nearest distributor.

Limited Warranty

This product is subject to and covered by a limited warranty, a copy of which can be found at www.fedsig.com/SSG-Warranty. A copy of this limited warranty can also be obtained by written request to Federal Signal Corporation, 2645 Federal Signal Drive, University Park, IL 60484, email to info@fedsig.com or call +1 708-534-3400.

This limited warranty is in lieu of all other warranties, express or implied, contractual or statutory, including, but not limited to the warranty of merchantability, warranty of fitness for a particular purpose and any warranty against failure of its essential purpose.



FEDERAL SIGNAL
Safety and Security Systems

2645 Federal Signal Drive
University Park, Illinois 60484-3167

www.fedsig.com

Customer Support
Police/Fire-EMS: 800-264-3578 • +1 708 534-3400
Work Truck: 800-824-0254 • +1 708 534-3400
Technical Support: 800-433-9132 • +1 708 534-3400

© 2020 Federal Signal Corporation
All product names or trademarks are properties of their respective owners.