

## Safety Message to Installers of Warning Light Equipment

### **▲ WARNING**

People's lives depend on your proper installation and servicing of Federal Signal products. It is important to read and follow all instructions shipped with this product and the original product. In addition, listed below are some other important safety instructions and precautions you should follow:

- To properly install the lighting system, you must have a good understanding of automotive systems, along with proficiency in the installation and use of safety warning equipment.
- Do not install equipment or route wiring in the deployment path of an airbag.
- If a vehicle seat is temporarily removed, verify with the vehicle manufacturer if the seat needs to be recalibrated for proper airbag deployment.
- You should frequently inspect the light system to ensure that it is operating properly and that it is securely attached to the vehicle.
- When drilling into a vehicle structure, be sure that both sides of the surface are clear of anything that could be damaged.
- Refer to the instructions packed with related products for additional precautions and information.
- Do not stare directly into the lights at a close range or permanent damage to your eyesight may occur.
- File these instructions in a safe place and refer to them when maintaining and/or reinstalling the product.

Failure to follow all safety precautions and instructions may result in property damage, serious injury, or death.

## Introduction

This publication has instructions for using the Z861302757A Mounting Kit to mount a pair of MicroPulse® MPS650 lightheads to the B-pillars of the Dodge® Charger.

**NOTE:** For electrical installation instructions, refer to the installation and maintenance instructions packed with the lighthead.

## Unpacking the Kit

After unpacking the kit, inspect it for damage that may have occurred in transit. If it has been damaged, do not attempt to install or operate it. File a claim immediately with the carrier, stating the extent of damage. Carefully check all envelopes, shipping labels, and tags before removing or destroying them. Ensure that the parts in the Kit Contents List are included in the package. Disposal of all shipping materials must be carried out in accordance with national and local codes and standards. If you are missing any parts, contact Customer Support at 1-800-264-3578, 7 a.m. to 5 p.m., Monday through Friday (CT).

Table 1 Kit Contents

Qty.	Description	Part Number
1	Bracket, MPS650, Dodge Charger, B-Pillar, Driver Side	861302750A
1	Bracket, MPS650, Dodge Charger, B-Pillar, Passenger Side	861302751A
4	Machine Screw, Pan Head Phillips Sem, 10-32	7006A013B-06
4	Nut, Hex External Keps Steel, 10-32	7058A004

## Installing the Brackets

### **⚠ WARNING**

**AIRBAG DEPLOYMENT:** Do not install equipment or route wiring in the deployment path of an airbag. Failure to observe this warning will reduce the effectiveness of the airbag or potentially dislodge the equipment, causing serious injury or death.

### **NOTICE**

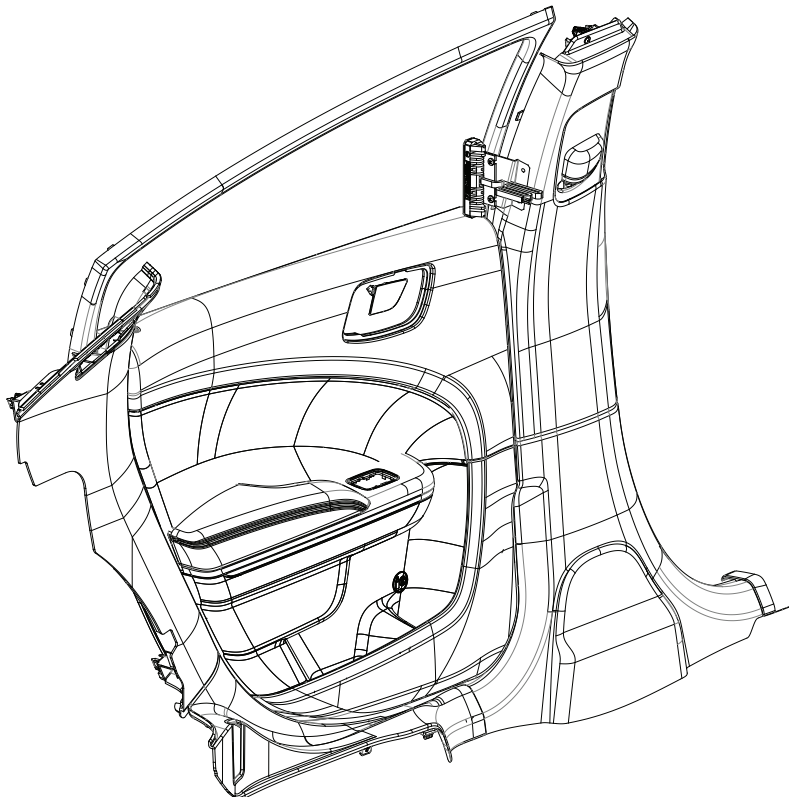
**DRILLING PRECAUTION:** When drilling holes, check the area you are drilling into to be sure you do not damage vehicle components. All drilled holes should be deburred and all sharp edges should be smoothed. All wire routings going through drilled holes should be protected by a grommet or convolute/split loom tubing.

**IMPORTANT:** Plan all cable routing before the installation.

To mount a MicroPulse MPS650 bracket:

1. Position the bracket on the B-pillar as shown in Figure 1 and mark a wire access hole.

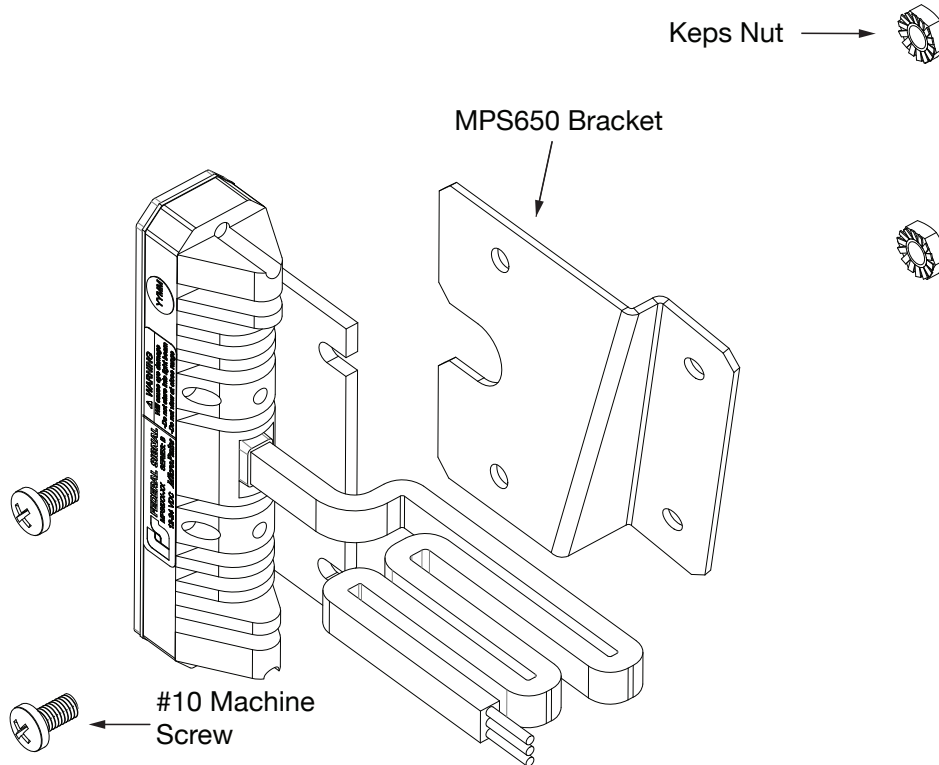
Figure 1 Bracket on the B-pillar



2. Drill a hole for wire routing.

3. Install the light head to the bracket using the supplied #10 screws and lock nuts. **Do not over tighten.**
4. Install the light head/bracket assembly using the screws supplied with the light head. See Figure 2 for final assembly exploded view.

Figure 2 Exploded view of final installation



5. Repeat steps 1-4 for opposite side.
6. Complete the wiring according to the instructions supplied with the light heads.
7. Test the lights for proper operation.

## Getting Technical Support

For technical support, please contact:

Federal Signal Corporation  
Service Department  
Phone: 1-800-433-9132  
Fax: 1-800-343-9706  
Email: [empserviceinfo@fedsig.com](mailto:empserviceinfo@fedsig.com)

## Getting Repair Service

The Federal Signal factory provides technical assistance with any problems that cannot be handled locally. Any units returned to Federal Signal for service, inspection, or repair must be accompanied by a Return Material Authorization (RMA). Obtain a RMA from a local Distributor or Manufacturer's Representative. Provide a brief explanation of the service requested, or the nature of the malfunction.

Address all communications and shipments to the following:

Federal Signal Corporation  
Service Department  
2645 Federal Signal Dr.  
University Park, IL 60484-3167

## **Ordering Replacement Parts**

To order replacement parts, call Customer Support at 1-800-264-3578, 7 a.m. to 5 p.m., Monday through Friday (CT) or contact your nearest distributor.



2645 Federal Signal Drive  
University Park, Illinois 60484-3167

[www.fedsig.com](http://www.fedsig.com)

Customer Support

Police/Fire-EMS: 800-264-3578 • +1 708 534-3400

Work Truck: 800-824-0254 • +1 708 534-3400

Technical Support: 800-433-9132 • +1 708 534-3400

*© Copyright 2019 Federal Signal Corporation*

MicroPulse is a registered trademark of Federal Signal Corporation.  
All other product names or trademarks are properties of their respective owners.