

**WARNING**

To properly install this light, you must have a good understanding of automotive electrical procedures and systems, along with proficiency in the installation and use of safety warning equipment. Before installing this device, refer to the unabridged instructions for this device, which are available online at [www.fedsig.com](http://www.fedsig.com). Print the online document and provide copies to the end users of this product and to the personnel who will service this product.

**Surface Mounting**

To +VDC (fuse @ 3A).....RED

To Chassis Ground.....BLACK

For Synchronization:.....YELLOW

Connect YELLOW wires of all heads together for synchronization (all heads must be set at the same pattern).

**NOTE:** Series B units do not synchronize with Series A units. To synch, all units must be of the same series.

**Modes of Operation**

Each unit has 3 modes: MASTER (default), SLAVE-SYNC, and SLAVE-ALT. If synchronized flashing is not needed, simply select the desired flash pattern.

For synchronized flashing, only one unit must be set to MASTER mode, while all other units are set to SLAVE-SYNC or SLAVE-ALT mode:

1. Enter MODE selection by:

- (a) Applying +VDC to the RED and YELLOW wires simultaneously or by
- (b) Applying +VDC to the YELLOW for over 3 seconds while unit is activated.

Once in MODE selection, the unit will steady burn in low power and pulse in high power:

- Single pulse = MASTER (default)
- Double pulse = SLAVE-SYNC
- Triple pulse = SLAVE-ALT

2. Remove the YELLOW wire from +VDC and momentarily apply to +VDC to change the MODE:

- SLAVE-SYNC units flash together with MASTER units.
- SLAVE-ALT units alternate with SLAVE-SYNC & MASTER units.

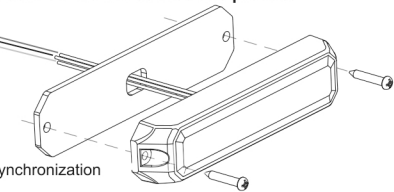
3. Exit MODE selection by: (a) Applying +VDC to YELLOW for over 3 seconds or by (b) Disconnecting all power.

**NOTE:** When there is no MASTER unit present, all SLAVE units will flash initially, and then steady burn for 2 seconds as no synchronization signal is detected. This is so that the installer/user can easily distinguish between SLAVE vs. MASTER units.

To select a flash pattern, momentarily apply +VDC to the YELLOW wire:

- once for the next pattern
- quickly three times for reset

**NOTE:** This unit may not be factory set at FP#1.



FP#	Flash Patterns			
1	Random	11	Double (all)	
2	Single (split)	12	Quad (all)	
3	Double (split)	13	Quint (all)	
4	Quad (split)	14	Mega (all)	
5	Quint (split)	15	Ultra (all)	
6	Mega (split)	16	Single-Quad (all)	
7	Ultra (split)	17	Single H/L (all)	
8	Single-Quad (split)	18	Steady half	
9	Single H/L (split)	19	Steady all	
10	Single (all)			

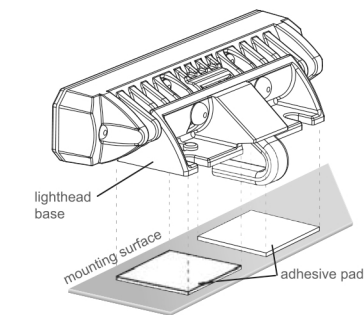
\*SPLIT = Left alternate Right \*ALL = Simultaneous

Customer Support: 1-800-264-3578  
Service Department: 1-800-433-9132  
www.fedsig.com 1-708-534-3400

**Adhesive Mounting**

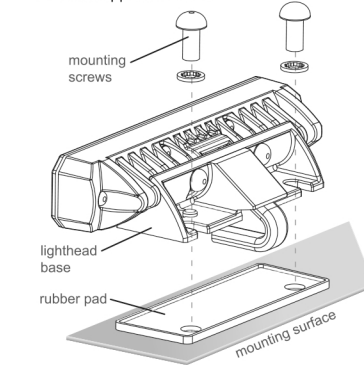
1. Select and clean the mounting location.
2. Peel the paper from one of the adhesive pads and apply the pad to the lighthouse base.
3. Repeat Step 2 with the other pad.
4. Ensure that the lighthouse is firmly attached to the mounting surface.

**NOTE:** Optimum adhesive strength occurs after 24 hours.



**Screw Mounting**

1. Select the mounting location.
2. Mark and drill the mounting holes.
3. Place the rubber pad on the bottom of the lighthouse base.
4. Secure the lighthouse to the mounting surface with the supplied screws.



**Bracket Mounting**

1. Select the mounting location.
2. Place the rubber pad on the bottom of the lighthouse base.
3. Place the lighthouse on the mounting surface.
4. Align the top holes of the bracket with the mounting holes in the bottom of the lighthouse.
5. Secure the lighthouse with the supplied screws through the bottom of the bracket.

