

# HighLighter® Elite

## Mini-Light Bar



### FEATURES

- Low-profile, 15" LED mini-light bar
- Single-, split-, and dual-color models available
- Unique "edge cruise" lighting on dual-color models
- Permanent mount, magnet mount, and suction-cup magnet mount
- [25] flash patterns
- Multi-voltage, 12/24 Vdc
- Five-year warranty

### APPROVALS

- SAE J595 Class 1 (Amber, Blue, Red, White)
- SAE J595 Class 3 (Green)
- SAE J845 Class 1 (Amber, Blue, Red, White)
- SAE J845 Class 3 (Green)
- CCR Title 13
- NFPA 1901 Compliant
- IP69K

### FS TECHNOLOGIES



#### Elite Performance in a Compact Size

The HighLighter® Elite mini-light bar leverages the latest and greatest technological advancements to offer users a mini-light bar that is compact, durable, easy to install, and diverse in its capabilities.

Equipped with Solaris® Reflector Technology, the HighLighter Elite provides brilliant illumination 360 degrees around your vehicle, while standing less than 2-inches tall. This mini-light bar is both SAE J845 Class 1 and CCR Title 13 compliant, making it an excellent choice for anyone seeking a light bar that improves safety while also adhering to regulatory standards.

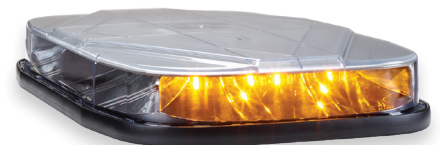
The HighLighter Elite can be purchased in a variety of colors including Amber, Blue, Green, Red, and White. Dual-color models are equipped with SpectralLux® to offer greater customization of your mini LED light bar. Each light bar is capable of 25 different flash patterns, including the unique "edge cruise" lighting (in dual-color models). The wide variety of colors and flash patterns ensure that there is a suitable model for every application including utility, towing, and construction vehicles.

The HighLighter Elite uses FSLink® technology to offer greater synchronization and ease of use amongst Federal Signal products. This shared flash pattern software allows the various products to be wired together, set in a common pattern, and then synchronized together in order to flash simultaneously or alternately. All lighting solutions can be managed quickly and easily when using FSLink Technology.

This LED mini-light bar is available in both permanent and temporary mounting solutions which include both magnet and suction-cup magnet mounts. They are also IP69K rated against dust and water, and are built utilizing patented ROC (Reliable Onboard Circuitry™) technology, which is built to minimize potential failure points in the light bar and ensures that this mini-light bar can withstand the trials faced on and off the road.



Edge Cruise (dual-color models)



End Cruise (single/split-color models)

## HOW TO ORDER

LED Color      Dome Color  
A B G R W      A C

### SUCTION-CUP MAGNET MOUNT, ACCESSORY PLUG, ON/OFF SWITCH

HL15S-A	Single-color, Amber LEDs, Amber dome
HL15SC-A	Single-color, Amber LEDs, Clear dome
HL15SC-B	Single-color, Blue LEDs, Clear dome
HL15SC-G	Single-color, Green LEDs, Clear dome
HL15SC-R	Single-color, Red LEDs, Clear dome
HL15SC-W	Single-color, White LEDs, Clear dome
HL15SC-SAB	Split-color, Amber/Blue LEDs, Clear dome
HL15SC-SAG	Split-color, Amber/Green LEDs, Clear dome
HL15SC-SAW	Split-color, Amber/White LEDs, Clear dome
HL15SC-AB	Dual-color, Amber/Blue LEDs, Clear dome
HL15SC-AG	Dual-color, Amber/Green LEDs, Clear dome
HL15SC-AR	Dual-color, Amber/Red LEDs, Clear dome
HL15SC-AW	Dual-color, Amber/White LEDs, Clear dome
HL15SC-BW	Dual-color, Blue/White LEDs, Clear dome
HL15SC-RB	Dual-color, Red/Blue LEDs, Clear dome
HL15SC-RW	Dual-color, Red/White LEDs, Clear dome

### PERMANENT MOUNT

HL15P-A	Single-color, Amber LEDs, Amber dome
HL15PC-A	Single-color, Amber LEDs, Clear dome
HL15PC-B	Single-color, Blue LEDs, Clear dome
HL15PC-G	Single-color, Green LEDs, Clear dome
HL15PC-R	Single-color, Red LEDs, Clear dome
HL15PC-W	Single-color, White LEDs, Clear dome
HL15PC-SAB	Split-color, Amber/Blue LEDs, Clear dome
HL15PC-SAG	Split-color, Amber/Green LEDs, Clear dome
HL15PC-SAW	Split-color, Amber/White LEDs, Clear dome
HL15PC-AB	Dual-color, Amber/Blue LEDs, Clear dome

HL15PC-AG	Dual-color, Amber/Green LEDs, Clear dome
HL15PC-AR	Dual-color, Amber/Red LEDs, Clear dome
HL15PC-AW	Dual-color, Amber/White LEDs, Clear dome
HL15PC-BW	Dual-color, Blue/White LEDs, Clear dome
HL15PC-RB	Dual-color, Red/Blue LEDs, Clear dome
HL15PC-RW	Dual-color, Red/White LEDs, Clear dome

### MAGNET MOUNT, ACCESSORY PLUG, ON/OFF SWITCH

HL15M-A	Single-color, Amber LEDs, Amber dome
HL15MC-A	Single-color, Amber LEDs, Clear dome
HL15MC-B	Single-color, Blue LEDs, Clear dome
HL15MC-G	Single-color, Green LEDs, Clear dome
HL15MC-R	Single-color, Red LEDs, Clear dome
HL15MC-W	Single-color, White LEDs, Clear dome
HL15MC-SAB	Split-color, Amber/Blue LEDs, Clear dome
HL15MC-SAG	Split-color, Amber/Green LEDs, Clear dome
HL15MC-SAW	Split-color, Amber/White LEDs, Clear dome
HL15MC-AB	Dual-color, Amber/Blue LEDs, Clear dome
HL15MC-AG	Dual-color, Amber/Green LEDs, Clear dome
HL15MC-AR	Dual-color, Amber/Red LEDs, Clear dome
HL15MC-AW	Dual-color, Amber/White LEDs, Clear dome
HL15MC-BW	Dual-color, Blue/White LEDs, Clear dome
HL15MC-RB	Dual-color, Red/Blue LEDs, Clear dome
HL15MC-RW	Dual-color, Red/White LEDs, Clear dome
HL15U-A	Single-color, Amber LEDs, Amber dome, permanent mount bracket included
HL15UC-A	Single-color, Amber LEDs, Clear dome, permanent mount bracket included
HL15UC-SAG	Split-color, Amber/Green LEDs, Clear dome, permanent mount bracket included
HL15UC-SAW	Split-color, Amber/White LEDs, Clear dome, permanent mount bracket included
HL15UC-AG	Dual-color, Amber/Green LEDs, Clear dome, permanent mount bracket included
HL15UC-AW	Dual-color, Amber/White LEDs, Clear dome, permanent mount bracket included

## SPECIFICATIONS

LED Color      Dome Color  
A B G R W      A C

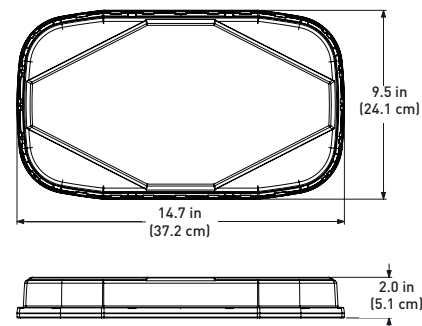
CURRENT DRAW	2.0A @ 12 Vdc/ 1.0A @ 24 Vdc
OPERATING VOLTAGE	12/24 Vdc
OPERATING TEMP	-40° to +149°F [-40° to +65°C]
FLASH PATTERNS	25

### PHYSICAL SPECIFICATIONS

	PERMANENT MOUNT	MAGNET MOUNT	SUCTION CUP MAGNET MOUNT
LENGTH	14.7 in [37.2 cm]	14.7 in [37.2 cm]	14.7 in [37.2 cm]
WIDTH	9.5 in [24.1 cm]	8.4 in [21.5 cm]	8.4 in [21.5 cm]
HEIGHT	2.0 in [5.1 cm]	2.1 in [5.4 cm]	2.2 in [5.6 cm]

### SHIP WEIGHT

4.5 lb (2.0 kg)	4.3 lb (2.0 kg)	5.3 lb (2.4 kg)
-----------------	-----------------	-----------------



HighLighter, Solaris, SpectraLux, ROC (Reliable Onboard Circuitry), and FSLink are trademarks of Federal Signal Corporation.

