

25500610 Rev. A1 0722

## Safety Message to Installers of Warning Light Equipment

### **⚠ WARNING**

People's lives depend on your proper installation and servicing of Federal Signal products. It is important to read and follow all instructions shipped with this product and the original product. Listed below are some other important safety instructions and precautions you should follow:

- To properly install a light assembly, you must have a good understanding of automotive electrical procedures and systems, along with proficiency in the installation and use of safety warning equipment.
- Do not install equipment or route wiring in the deployment path of an airbag.
- If a vehicle seat is temporarily removed, verify with the vehicle manufacturer if the seat needs to be recalibrated for proper airbag deployment.
- When drilling into a vehicle structure, ensure that both sides of the surface are clear of anything that could be damaged.
- To be an effective warning device, this product produces bright light that can be hazardous to your eyesight when viewed at close range. Do not stare directly into this lighting product at close range or permanent damage to your eyesight may occur.
- Frequently inspect the light system to ensure that it is operating properly and that it is securely attached to the vehicle.
- Refer to the instruction sheets included with related products for additional precautions and information.
- File these instructions in a safe place and refer to them when maintaining or reinstalling the product.

Failure to follow all safety precautions and instructions may result in property damage, serious injury, or death.

### **Overview**

**IMPORTANT:** This kit is designed for vehicles with the grille shown in Figure 1.

This publication has instructions for using the IPX-GRL17 Grille Mounting Kit to mount the MicroPulse® 3 and MicroPulse 6 light heads behind the grille of the 2020 Ford® Interceptor Utility. For electrical installation instructions, refer to the Installation and Maintenance Instructions packed with the light head.

**NOTE:** User-supplied disconnects may be required on the wiring to ease assembly.

### **Unpacking the Kit**

After unpacking the kit, inspect it for damage that may have occurred in transit. If it has been damaged, do not attempt to install or operate it. File a claim immediately with the carrier, stating the extent of damage. Carefully check all envelopes, shipping labels, and tags before removing or destroying them. Ensure that the parts listed in Table 1 on page 2 are included in the package. If you are missing any parts, contact Customer Support at 1-800-264-3578, 7 a.m. to 5 p.m., Monday through Friday (CT).

Table 1 Kit contents

Qty.	Description	Part Number
8	#6-32 Phillips® Pan Head Stainless Steel Screw	7000491-08
8	#6-32 Stainless Steel KEPS® Nut	7058A046
4	#6-32 Phillips Pan Head Machine Screw	7000A404-22
4	#6-32 Nylon Insert Lock Nut, Hex Head	7058A006
1	20FPIU Driver Side Dual MPS Bracket	861303235
1	20FPIU Passenger Side Dual MPS Bracket	861303236

### Installing the Lights

**IMPORTANT:** Plan all cable routing before installation.

**⚠ WARNING**

**AIRBAG DEPLOYMENT:** Do not install equipment or route wiring in the deployment path of an airbag. Failure to observe this warning will reduce the effectiveness of the airbag or potentially dislodge the equipment, causing serious injury or death.

**NOTICE**

**DRILLING PRECAUTIONS :** Before drilling holes, check the area into which you plan to drill to ensure you do not damage vehicle components. All drilled holes should be deburred and all sharp edges should be smoothed. All wires going through drilled holes should be protected by a grommet or convolute/split-loom tubing.

To install the light heads:

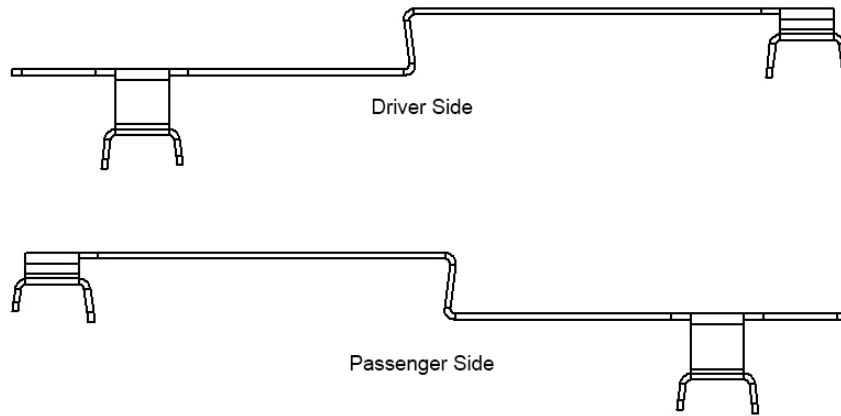
1. Disassemble the front of the vehicle per the manufacturer’s service manual to access the area behind the grille.
2. Attach the light heads to the brackets using the included #6-32 screws and KEPS nuts.
3. Hold up the passenger side bracket to the mounting location and mark the four hole locations on the fascia. Using a #9 drill bit, drill a hole at the marked locations.

Figure 1 Ford Interceptor Utility grille



4. Install the passenger side bracket to the fascia using the supplied #6-32 one inch and three-eighths long screws and #6-32 nylon insert lock nut. Refer to Figure 2 for bracket identification.

**Figure 2 Bracket identification**



5. Tighten the mounting hardware. Do not overtighten. See Figure 3 for exploded view and Figure 4 for a completed installation photo.

**Figure 3 Exploded View**

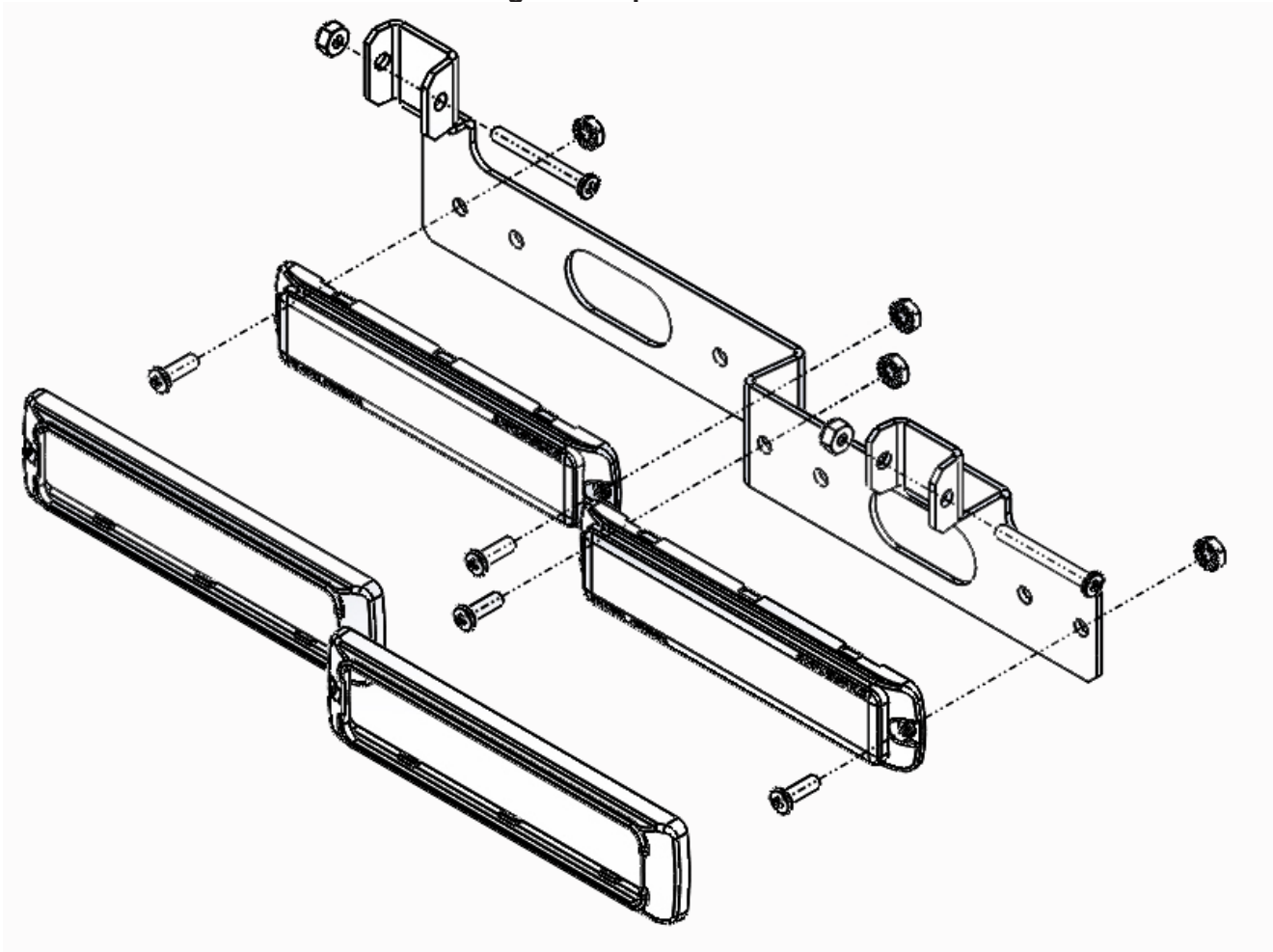
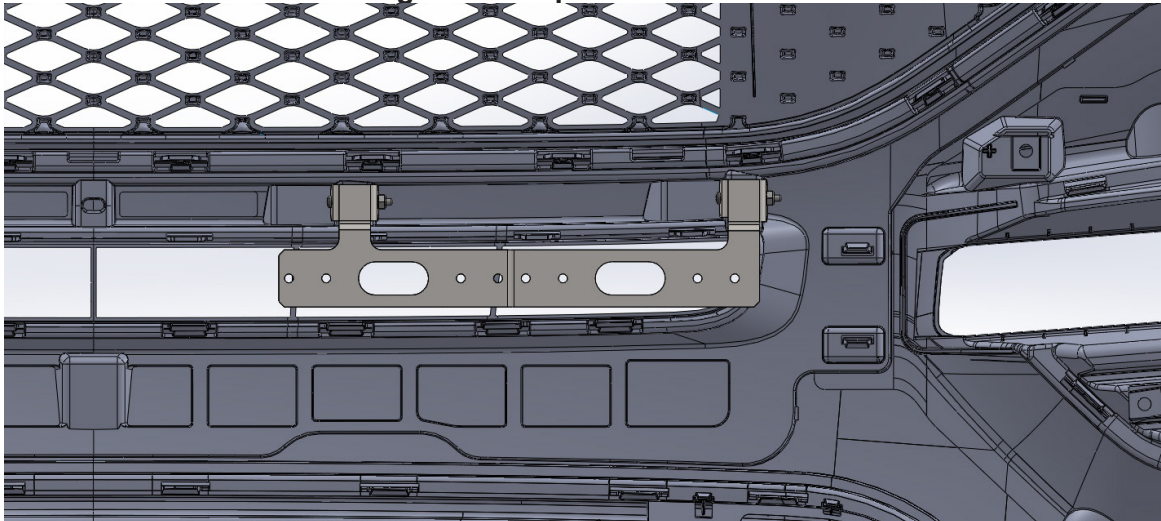


Figure 4 Completed Installation



6. Repeat steps 3-5 for the driver side.
7. Complete the wiring according to the instructions supplied with the light head.
8. Reassemble the vehicle according to the manufacturer's service manual.

**⚠ WARNING**

**LIGHT HAZARD:** *To be an effective warning device, an emergency warning system produces bright light that can be hazardous to your eyesight when viewed at a close range. Do not stare directly into the lights at a close range, or permanent damage to your eyesight may occur.*

9. Test the lights for proper operation.

**Getting Technical Support and Service**

For technical support and service, please contact:

Service Department  
Federal Signal Corporation  
Phone: 1-800-433-9132  
Email: empsserviceinfo@fedsig.com



2645 Federal Signal Drive  
University Park, Illinois 60484-3167

[www.fedsig.com](http://www.fedsig.com)

Customer Support  
Police/Fire-EMS: 800-264-3578 • +1 708 534-3400  
Work Truck: 800-824-0254 • +1 708 534-3400  
Technical Support: 800-433-9132 • +1 708 534-3400

© 2019-2022 Federal Signal Corporation  
All product names or trademarks are properties of their respective owners.