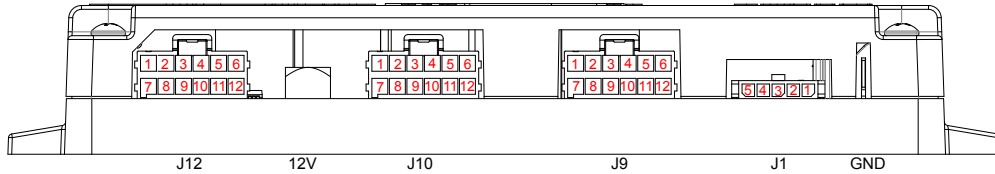


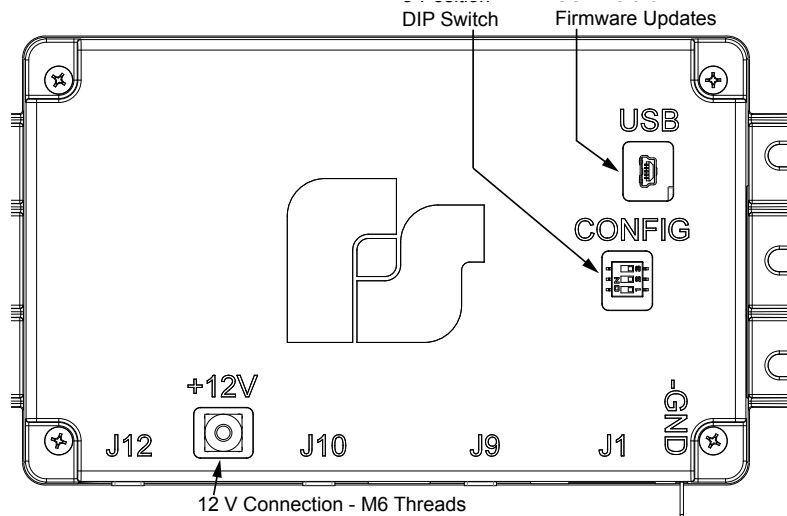
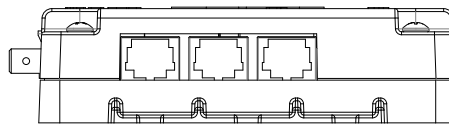
25500589 REV. B0 0919

⚠ WARNING

To properly install this Pathfinder Expansion Module, you must have a good understanding of automotive electrical procedures and systems, along with proficiency in the installation and use of safety warning equipment. Before installing this module, refer to the unabridged instructions (doc no. 25500587), which is included with the Expansion Module product packaging or online at www.fedsig.com.



3 Convergence Network Connections



J10 Blackout Relays

Wire Color	Blackout Relay	Relay Output #	Description	Connector Pin
Orange	Input (BCM Disconnect 1)		Feed from BCM to Passenger Side Tail Light	J10-12
Tan	Output (Relay 15 + BCM 1)	Relay 15	Feed to Passenger Side Tail Light Panel + Relay 15	J10-6
Yellow	Input (BCM Disconnect 2)		Feed from BCM to Driver Side Tail Light	J10-11
Pink	Output (Relay 12 + BCM 2)	Relay 12	Feed to Driver Side Tail Light Panel + Relay 12	J10-5
White	Input (BCM Disconnect 3)		Feed from BCM to Passenger Side Turn Light	J10-10
Brown	Output (Relay 16 + BCM 3)	Relay 16	Feed to Passenger Side Turn Light Panel + Relay 16	J10-4
Green	Input (BCM Disconnect 4)		Feed from BCM to Passenger Side Reverse Light	J10-9
Violet	Output (Relay 11 + BCM 4)	Relay 11	Feed to Passenger Side Reverse Light Panel + Relay 11	J10-3
Black	Input (BCM Disconnect 5)		Feed from BCM to Driver Side Reverse Light	J10-8
Red	Output (Relay 10 + BCM 5)	Relay 10	Feed to Driver Side Reverse Light Panel + Relay 10	J10-2
Gray	Input (BCM Disconnect 6)		Feed from BCM to Driver Turn / Trunk Center Panel Tail Light	J10-7
Blue	Output (Relay 9 + BCM 6)	Relay 9	Feed to Driver Turn / Trunk Center Panel Light + Relay 9	J10-1

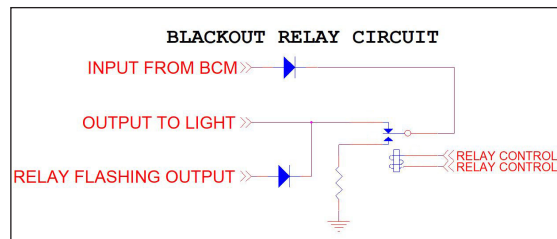
Pathfinder Expansion Module QuickStart Guide

J9 Blackout Relays and Flashing Outputs

Wire Color	Blackout Relay Output	Flashing Output #	Description	Connector Pin
Orange	Input (BCM Disconnect 7)		Feed from BCM to Passenger Side Brake Light	J9-12
Tan	Output (Relay 13 + BCM 7)	Relay 13	Feed to Passenger Side Brake Light Panel + Relay 13	J9-6
Yellow	Input (BCM Disconnect 8)		Feed from BCM to Driver Side Brake Light	J9-11
Pink	Output (Relay 14 + BCM 8)	Relay 14	Feed to Driver Side Brake Light Panel + Relay 14	J9-5
White	Input (BCM Disconnect 9)		Feed from BCM to Center High Mount (CHMSL) Stop Light	J9-10
Brown	Output (BCM 9)		Feed to Center High Mount (CHMSL) Stop Light	J9-4
Violet			No Connection	J9-3
Green			No Connection	J9-9
Red		Relay 1	Flashing Relay Output 1	J9-2
Blue		Relay 2	Flashing Relay Output 2	J9-1
Gray		Relay 3	Flashing Relay Output 3	J9-7
Black		Relay 4	Flashing Relay Output 4	J9-8

J12 Flashing Outputs and 20 Amp Outputs

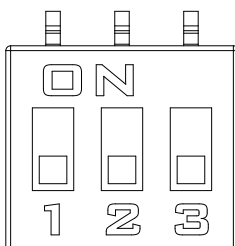
Wire Color	Blackout Relay Output	Flashing Output #	Description	Connector Pin
Orange		Relay 5	Flashing Relay Output 5	J12-12
Yellow		Relay 6	Flashing Relay Output 6	J12-11
Tan		Relay 7	Flashing Relay Output 7	J12-6
Pink		Relay 8	Flashing Relay Output 8	J12-5
Blue		Relay 17	Blue & Gray Wire to Be Tied Together. Steady On/Off Only.	J12-1
Gray		Relay 17	Blue & Gray Wire to Be Tied Together. Steady On/Off Only.	J12-7
Violet		Relay 18	Green & Violet Wire to Be Tied Together. On/ Off Only.	J12-3
Green		Relay 18	Green & Violet Wire to Be Tied Together. On/Off Only.	J12-9
Black	Input (Driver Sense Line)		Dodge Vehicles Sense Line - Pole Driver Side Sense Line	J12-8
Red	Output (Driver Sense Line)		Dodge Vehicles Sense Line - NC Driver Side	J12-2
White	Input (Passenger Sense Line)		Dodge Vehicles Sense Line - Pole Passenger Sense Line	J12-10
Brown	Output (Passenger Sense Line)		Dodge Vehicles Sense Line - NC Passenger Side	J12-4



Relay 1 - 16 = 7.5 A Maximum

Relay 17 & 18 = 20 A Maximum

DIP Switch



USB Connection: Used for updating the firmware in Expansion Mode

DIP Switch Position	Description
1	2nd Module Configuration: OFF = Single Module; ON = Second Module
2	Power Module from Yellow Ignition Wire
3	Power Module from Convergence Network, Power Up from Pathfinder