



FEDERAL SIGNAL
Safety and Security Systems

Model ESB-CHGR15ND Mounting Kit

Installation Instructions

25500744

Rev. A0 0721

Printed in U.S.A.

© Copyright 2021 Federal Signal Corporation

Limited Warranty

This product is subject to and covered by a limited warranty, a copy of which can be found at www.fedsig.com/SSG-Warranty. A copy of this limited warranty can also be obtained by written request to Federal Signal Corporation, 2645 Federal Signal Drive, University Park, IL 60484, email to info@fedsig.com or call +1 708-534-3400.

This limited warranty is in lieu of all other warranties, express or implied, contractual or statutory, including, but not limited to the warranty of merchantability, warranty of fitness for a particular purpose and any warranty against failure of its essential purpose.



FEDERAL SIGNAL
Safety and Security Systems

2645 Federal Signal Drive
University Park, Illinois 60484-3167

www.fedsig.com

Customer Support

Police/Fire-EMS: 800-264-3578 • +1 708 534-3400

Work Truck: 800-824-0254 • +1 708 534-3400

Technical Support 800-433-9132 • +1 708 534-3400

All product names or trademarks are properties of their respective owners.

Contents

Safety Messages.....	4
Mounting Bracket for ES100C	5
Unpacking the Kit.....	5
Installing the Brackets	6
Getting Technical Support and Service.....	8

Tables

Table 1 Kit Contents	5
----------------------------	---

Figures

Figure 1 Remove Hood Latch Bolt.....	6
Figure 2 Bracket	7
Figure 3 Install Behind Hood Latch	7

Safety Messages

To Installers and Operators of Warning Light Equipment

⚠ WARNING

People's lives depend on your proper installation and servicing of Federal Signal products. It is important to read, understand and follow all instructions shipped with the products and the original product. Listed below are some other important safety instructions and precautions you should follow.

- To properly install the lighting and siren systems, you must have a good understanding of automotive systems, along with proficiency in the installation and use of safety warning equipment.
- Do not install equipment or route wiring in the deployment path of an airbag.
- If a vehicle seat is temporarily removed, verify with the vehicle manufacturer if the seat needs to be recalibrated for proper airbag deployment.
- Frequently inspect the light and siren systems to ensure that it is operating properly and that it is securely attached to the vehicle.
- When drilling into a vehicle structure, ensure that both sides of the surface are clear of anything that could be damaged.
- Refer to the instructions packed with related products for additional precautions and information.
- Do not stare directly into the lights at a close range, or permanent damage to your eyesight may occur.
- All effective sirens and horns produce loud sounds (120 dB) that may cause permanent hearing loss. Always minimize your exposure to the sound of the siren and horn and wear hearing protection. Do not sound the siren and horn indoors or in enclosed areas where you and others will be exposed to the sound.
- File these instructions in a safe place and refer to them when maintaining and/or reinstalling the product.

Failure to follow all safety precautions and instructions may result in property damage, serious injury, or death.

Mounting Bracket for ES100C

This publication has instructions for using the Model ESB-CHGR15ND bracket kit to mount the ES100C in the grille of the Dodge Charger. This kit is not designed for use with the SRT style grille.

NOTE: For electrical installation instructions, refer to the Installation and Maintenance Instructions included with the siren and light head.

Unpacking the Kit

After unpacking the kit, inspect it for damage that may have occurred in transit. If it has been damaged, do not attempt to install or operate it. File a claim immediately with the carrier, stating the extent of damage. Carefully check all envelopes, shipping labels, and tags before removing or destroying them. Ensure that the parts in Table 1 are included in the package. If you are missing any parts, contact Customer Support at 1-800-264-3578, 7 a.m. to 5 p.m., Monday through Friday (CT).

Table 1 Kit Contents

Qty	Description	Part Number
1	Charger No-Drill Bracket ES100C	856703707

Installing the Brackets

Installing the Brackets

⚠ WARNING

AIRBAG DEPLOYMENT: Do not install equipment or route wiring in the deployment path of an airbag. Failure to observe this warning will reduce the effectiveness of the airbag or potentially dislodge the equipment, causing serious injury or death.

NOTICE

DRILLING PRECAUTION: When drilling holes, check the area you are drilling into to be sure you do not damage vehicle components. All drilled holes should be deburred, and all sharp edges should be smoothed. All wire routings going through drilled holes should be protected by a grommet or convolute/split loom tubing.

IMPORTANT: Plan all cable routing before the installation.

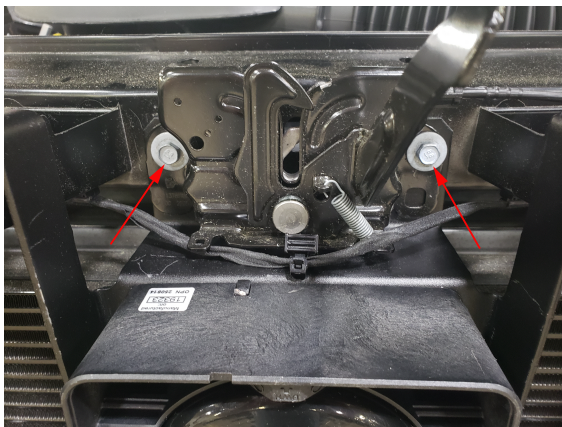
NOTICE

THREAD DAMAGE AND GALLING: To prevent thread damage and galling, use anti-seize lubricant on all stainless steel fasteners.

To install the speaker:

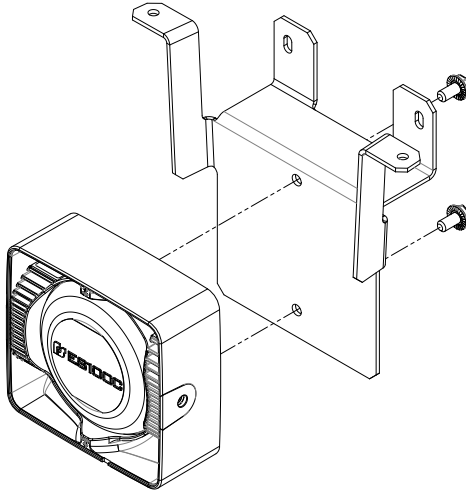
1. Remove the front fascia according to the vehicle manufacturer's instructions.
2. Remove the two hood latch bolts shown in Figure 1.

Figure 1 Remove Hood Latch Bolt



3. Install the speaker to the bracket using the hardware supplied with the speaker. See Figure 2.

Figure 2 Bracket



4. Install the bracket/speaker assembly behind the hood latch and reinstall the hood latch bolts. Relocate the horn wiring if necessary. The upper flanges of the speaker bracket should line up with the two holes in the plastic structure. See Figure 3.

Figure 3 Install Behind Hood Latch



Getting Technical Support and Service

5. Adjust the hood latch and ensure that the hood closes and opens properly.
6. Complete the wiring as indicated by the speaker instruction manual.
7. Install the front fascia according to the vehicle manufacturer's instruction manual. The two push-pin fasteners nearest to the hood latch should pass through the speaker bracket.

⚠ WARNING

SOUND HAZARD: All effective sirens and horns produce loud sounds (120 dB) that may cause permanent hearing loss. Always minimize your exposure to siren sounds and wear hearing protection. Do not sound the siren indoors or in enclosed areas where you and others will be exposed to the sound.

8. Test the speaker for proper operation.

Getting Technical Support and Service

For technical support and service, please contact:

Service Department
Federal Signal Corporation
Phone: 1-800-433-9132
Email: empserviceinfo@fedsig.com
www.fedsig.com



FEDERAL SIGNAL
Safety and Security Systems

2645 Federal Signal Drive
University Park, Illinois 60484

www.fedsig.com

Customer Support

Police/Fire-EMS:

800-264-3578 • +1 708 534-3400

Work Truck:

800-824-0254 • +1 708 534-3400

Technical Support

800-433-9132 • +1 708 534-3400