



25500688 REV A0 1220

Safety Message to Installers of Warning Light Equipment

⚠ WARNING

People's lives depend on your proper installation and servicing of Federal Signal products. It is important to read and follow all instructions shipped with this product and the original product. Listed below are some other important safety instructions and precautions you should follow.

- To properly install the lighting system, you must have a good understanding of automotive systems, along with proficiency in the installation and use of safety warning equipment.
- Do not install equipment or route wiring in the deployment path of an airbag.
- If a vehicle seat is temporarily removed, verify with the vehicle manufacturer if the seat needs to be recalibrated for proper airbag deployment.
- Do not stare into the lights at close range, or permanent damage to your eyesight may occur.
- When drilling into a vehicle structure, ensure that both sides of the surface are clear of anything that could be damaged.
- Refer to the instructions packed with related products for additional precautions and information.
- Frequently inspect the light system to ensure that it is operating properly is securely attached to the vehicle.
- File these instructions in a safe place and refer to them when maintaining and/or reinstalling the product.

Failure to follow all safety precautions and instructions may result in property damage, serious injury, or death.

Product Overview

This publication has instructions for using the CNSM-TAH21 Mounting Kit to mount the four-head CN SignalMaster™ in the grille of the Chevrolet® Tahoe.

NOTE: For electrical installation instructions, refer to the Installation and Maintenance Instructions packed with the lighthouse.

Unpacking the Kit

After unpacking the kit, inspect it for damage that may have occurred in transit. If it has been damaged, do not attempt to install or operate it. File a claim immediately with the carrier, stating the extent of damage. Carefully check all envelopes, shipping labels, and tags before removing or destroying them. Ensure that the parts in the Kit Contents List are included in the package. If you are missing any parts, contact Customer Support at 1-800-264-3578, 7 a.m. to 5 p.m., Monday through Friday (CT).

Table 1 Kit contents

Qty.	Description	Part Number
1	21TAH Driver Side CNSM Grille Bracket	865203629
1	21TAH Passenger Side CNSM Grille Bracket	865203630
4	#14 Hex Washer Head Tek Screw	7011243-16
8	#10 Type B, Pan Head Torx Steel Black Zinc Screw	7011246-06

Mounting the Four-Head CN SignalMaster

IMPORTANT: Plan all cable routing before the installation.

⚠ WARNING

AIRBAG DEPLOYMENT: Do not install equipment or route wiring in the deployment path of an airbag. Failure to observe this warning will reduce the effectiveness of the airbag or potentially dislodge the equipment, causing serious injury or death.

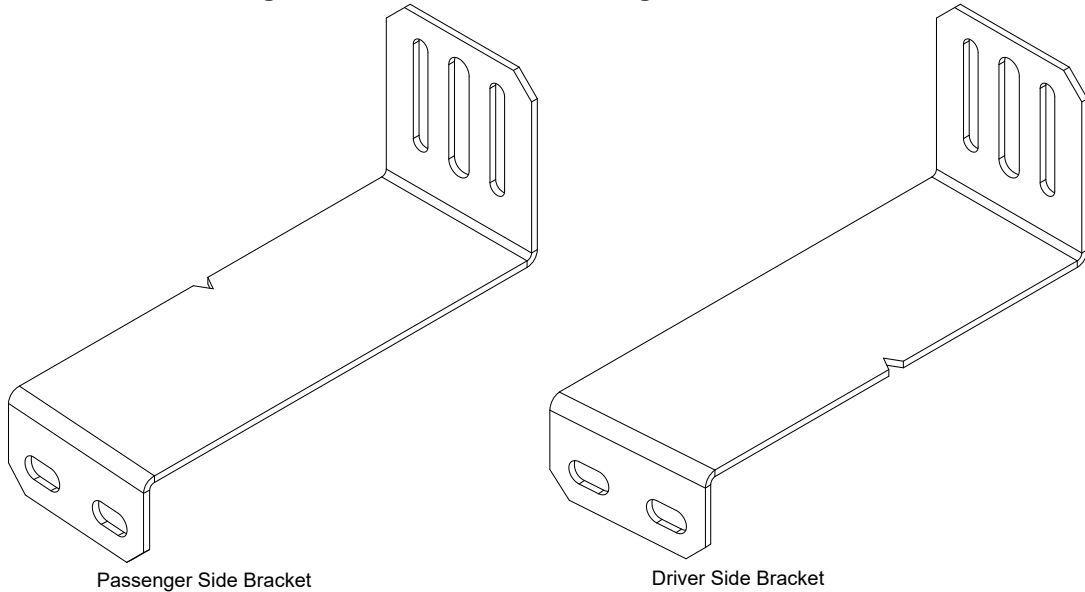
NOTICE

DRILLING PRECAUTIONS: Check the area into which you are drilling to ensure that you do not damage vehicle components. All drilled holes should be deburred and all sharp edges should be smoothed. All wire routings going through drilled holes should be protected by a grommet or convolute/split loom tubing.

To mount the light bar:

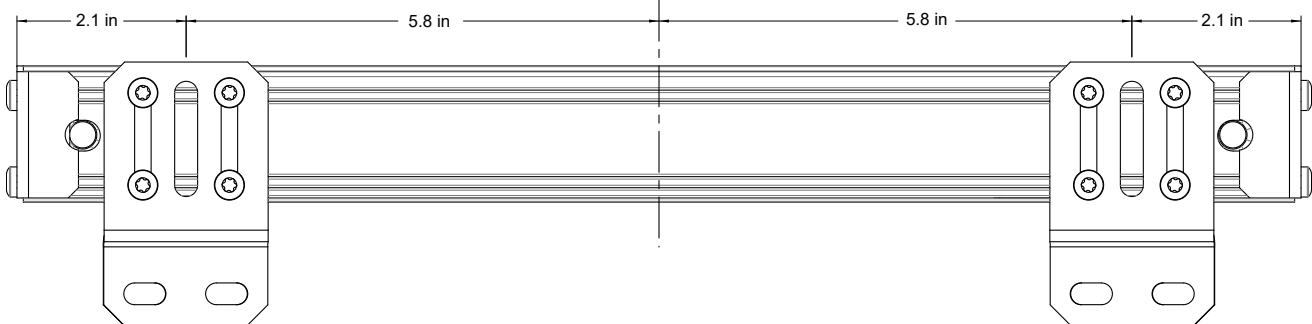
1. Remove the grille/fascia assembly from the vehicle according to the vehicle manufacturer's instructions.
2. Use Figure 1 to distinguish between the driver and passenger side brackets.

Figure 1 Driver Side and Passenger Side Brackets



3. Loosely install the brackets to the CN SignalMaster in the locations shown in Figure 2 using the eight supplied #10 screws.

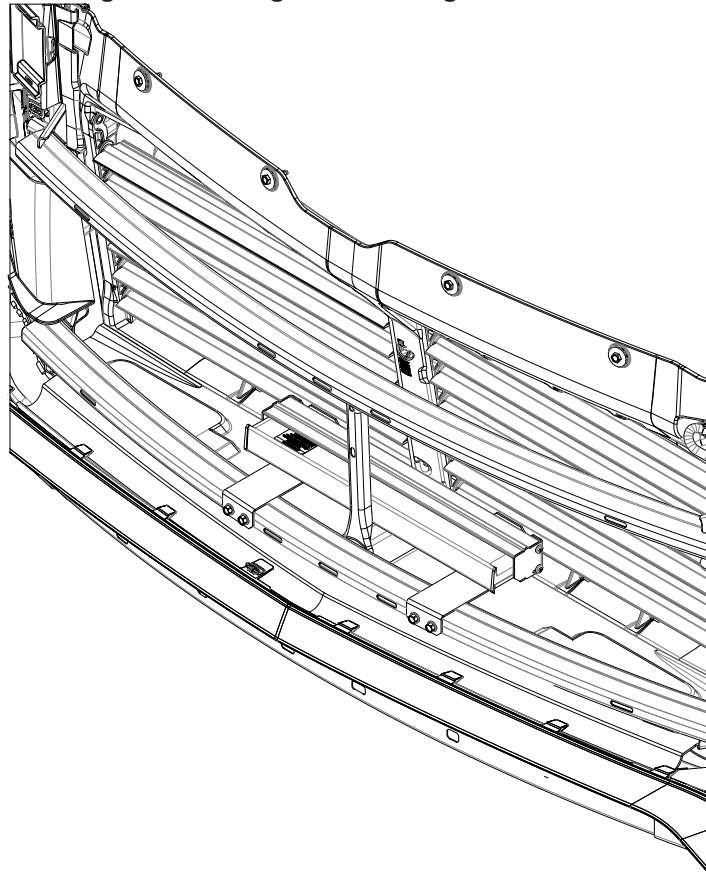
Figure 2 Installing the brackets



Mounting Instructions for the Four-Head CN SignalMaster™

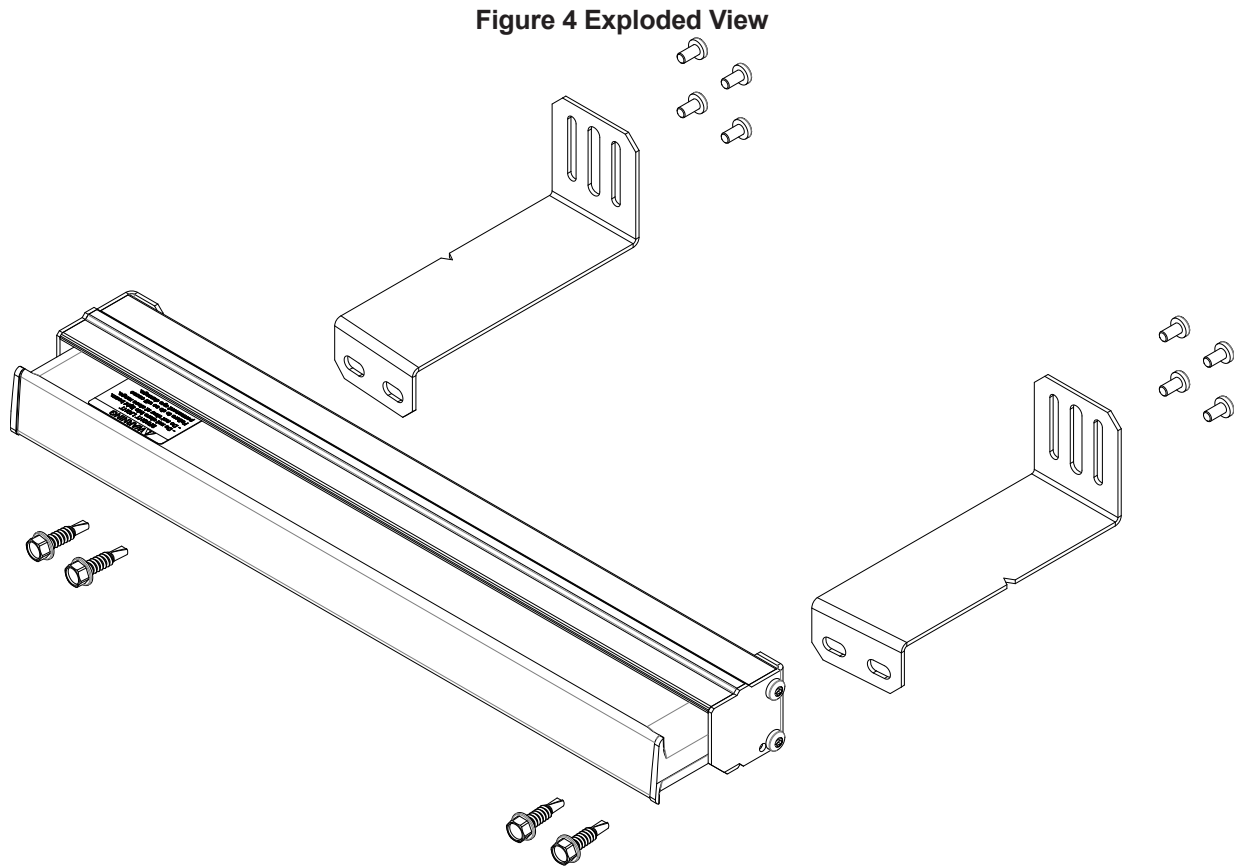
4. Hold the CN SignalMaster/bracket assembly up to the steel crossmember as shown in Figure 3. Mark the four mounting holes.

Figure 3 Marking the mounting holes



5. Remove the brackets from the CN SignalMaster.
6. Attach the two brackets to the vehicle in the marked locations using the four supplied self-drilling screws.
7. Reattach the CN SignalMaster to the brackets using the supplied #10 screws.

- Adjust the CN SignalMaster so that it is in the desired position and tighten all hardware. Do not overtighten. See Figure 4 for exploded view.



- Complete the wiring so that the wires exiting the CN SignalMaster do not interfere with the shutter system.

Getting Technical Support

For technical support, please contact:

Federal Signal Corporation
Service Department
Phone: 1-800-433-9132
Fax: 1-800-343-9706
Email: empSERVICEINFO@fedsig.com

Getting Repair Service

The Federal Signal factory provides technical assistance with any problems that cannot be handled locally. Any units returned to Federal Signal for service, inspection, or repair must be accompanied by a Return Material Authorization (RMA). Obtain a RMA from a local Distributor or Manufacturer's Representative. Provide a brief explanation of the service requested, or the nature of the malfunction.

Address all communications and shipments to the following:

Federal Signal Corporation
Service Department
2645 Federal Signal Dr.
University Park, IL 60484-3167

Ordering Replacement Parts

To order replacement parts, call Customer Support at 1-800-264-3578, 7 a.m. to 5 p.m., Monday through Friday (CT) or contact your nearest distributor.

Limited Warranty

This product is subject to and covered by a limited warranty, a copy of which can be found at www.fedsig.com/SSG-Warranty. A copy of this limited warranty can also be obtained by written request to Federal Signal Corporation, 2645 Federal Signal Drive, University Park, IL 60484, email to info@fedsig.com or call +1 708-534-3400.

This limited warranty is in lieu of all other warranties, express or implied, contractual or statutory, including, but not limited to the warranty of merchantability, warranty of fitness for a particular purpose and any warranty against failure of its essential purpose.



FEDERAL SIGNAL
Safety and Security Systems

2645 Federal Signal Drive
University Park, Illinois 60484-3167

www.fedsig.com

Customer Support

Police/Fire-EMS: 800-264-3578 • +1 708 534-3400

Work Truck: 800-824-0254 • +1 708 534-3400

Technical Support: 800-433-9132 • +1 708 534-3400

© Copyright 2020 Federal Signal Corporation

All product names or trademarks are properties of their respective owners.