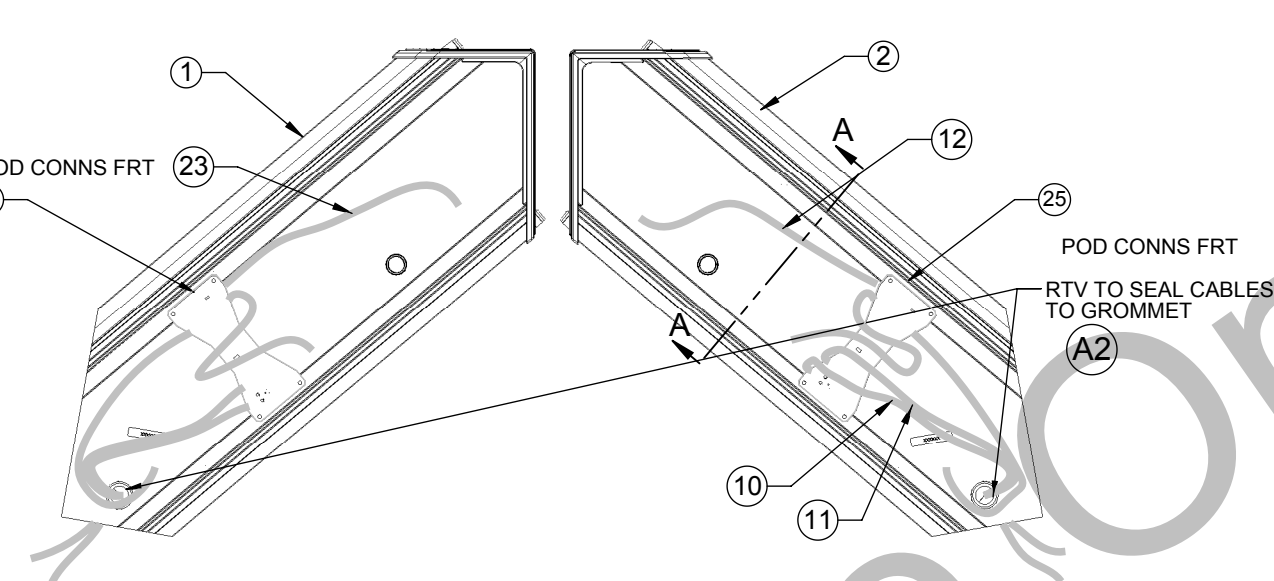
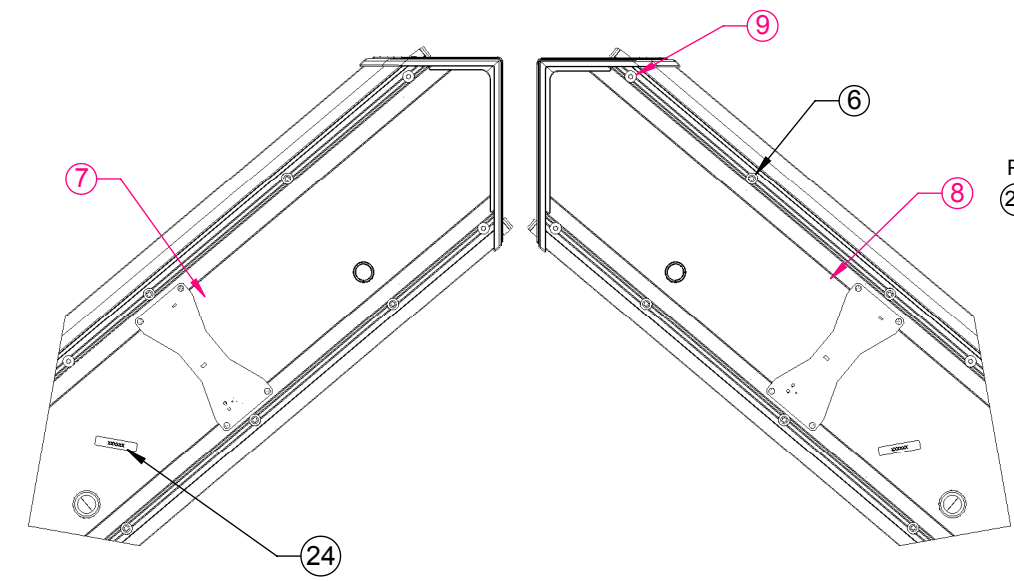


D

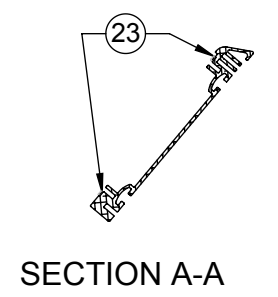
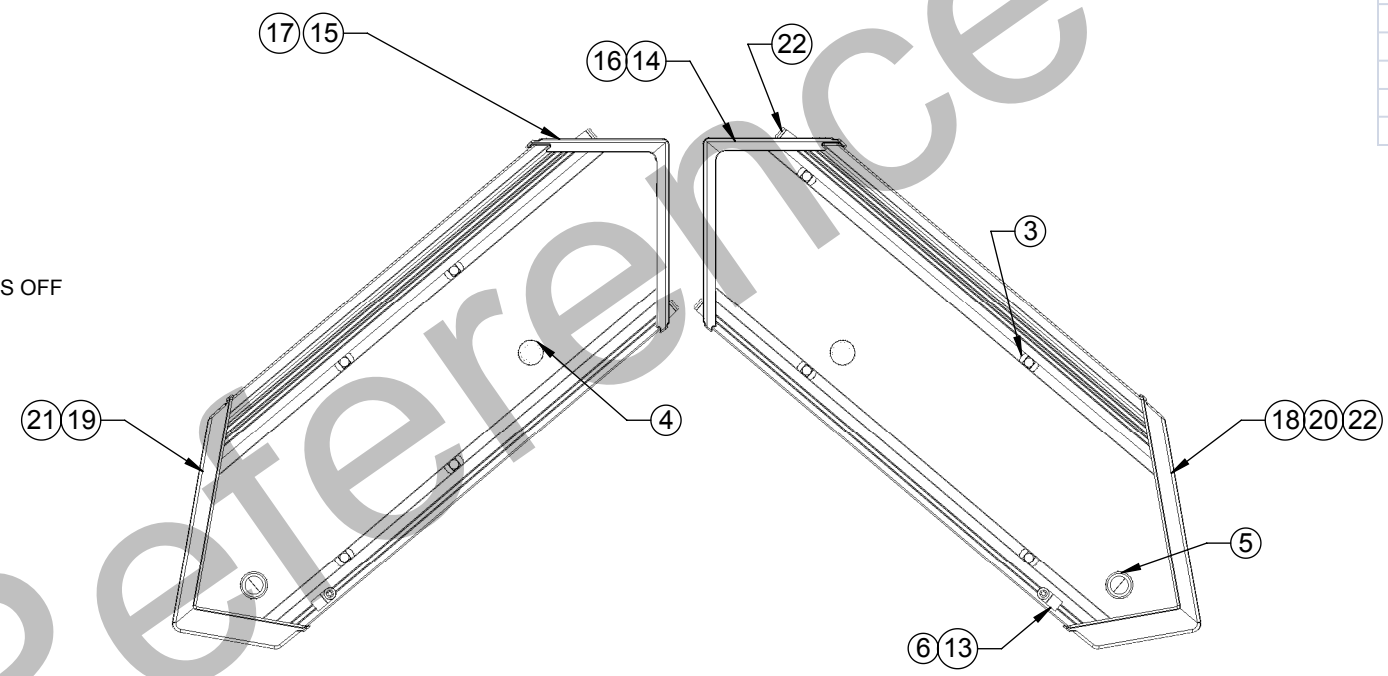
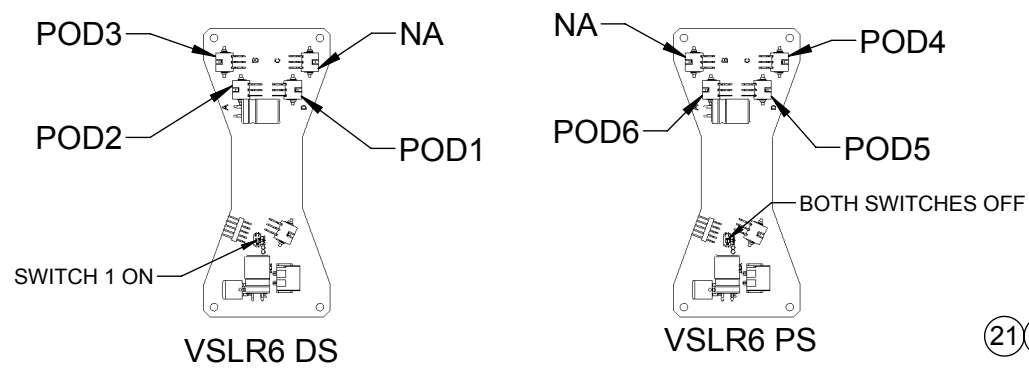
C

B

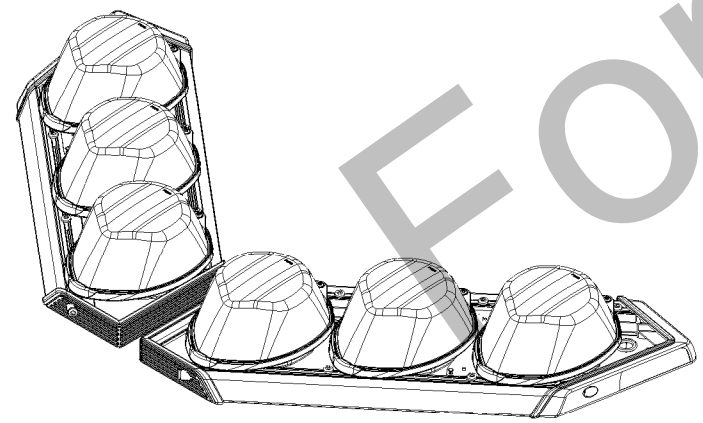
A



REV	ITEM NO.	QTY.	PART NO.	DESCRIPTION
	1	1	8652129-06	EXTR,LH
	2	1	8652130-06	EXTR,RH
	3	8	7004A024-16	CARRIAGE BOLT,3/8-16,S.S.
	4	2	231313	PLUG,0.875 HOLE
	5	2	228134	GROMMET,SPLIT WEB
A1	6	12	70000142-08	SCR,1/4-20 TT,PAN TORX,STL,BLK ZN
	7	1	8652280	PLATE ASSY, TOP , LH
	8	1	8652281	PLATE ASSY, TOP , RH
	9	6	7011245-08	SCR,1/4-20 TT,FLAT,TORX,SS,BLK
	10	2	1751615-252	CABLE,PWR/GND
	11	2	1751616-252	CABLE,SIGNAL
	12	6	1751566-12	CABLE,POD,12"
	13	2	150202	CLAMP,3/8" CABLE,1/4" HOLE
	14	1	8652204-L	GASKET,INNER,LH
	15	1	8652204-R	GASKET,INNER,RH
	16	1	8652202	CAP,INNER,LH
	17	1	8652203	CAP,INNER,RH
	18	1	8652141	GASKET,OUTER,LH
	19	1	8652142	GASKET,OUTER,RH
	20	1	8652143	CAP,PLAIN,OUTER,LH
	21	1	8652144	CAP,PLAIN,OUTER,RH
	22	8	7011161-16	SCR,1/4-20 TT,PAN TORX,SS,BLK
	23	7'	R42-02-12	GASKET STRIP
	24	2	1613098	LABEL,SN,SERVICE
	25	2	2005742	PCBA, CTRL, SPLT VSLR



SHT	OPTION	DESCRIPTION
1	VSLR6-S,VSLR6S-S	SHELL
2	VSLR8-S,VSLR8S-S	SHELL
SEE 8652190	NVO-POD	POD



SHEET: 1 OF 2  
UNITS: INCHES

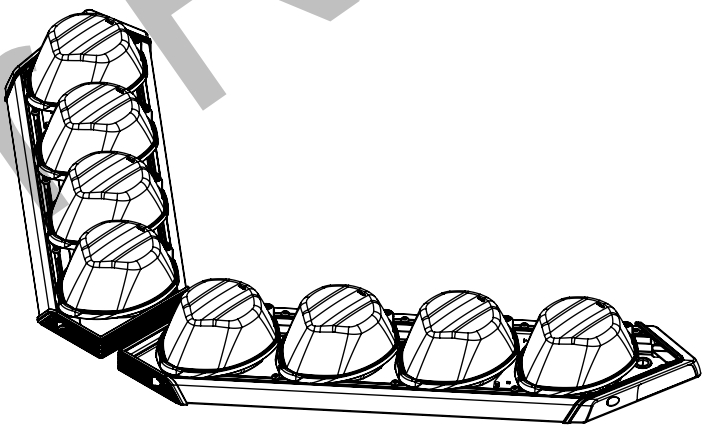
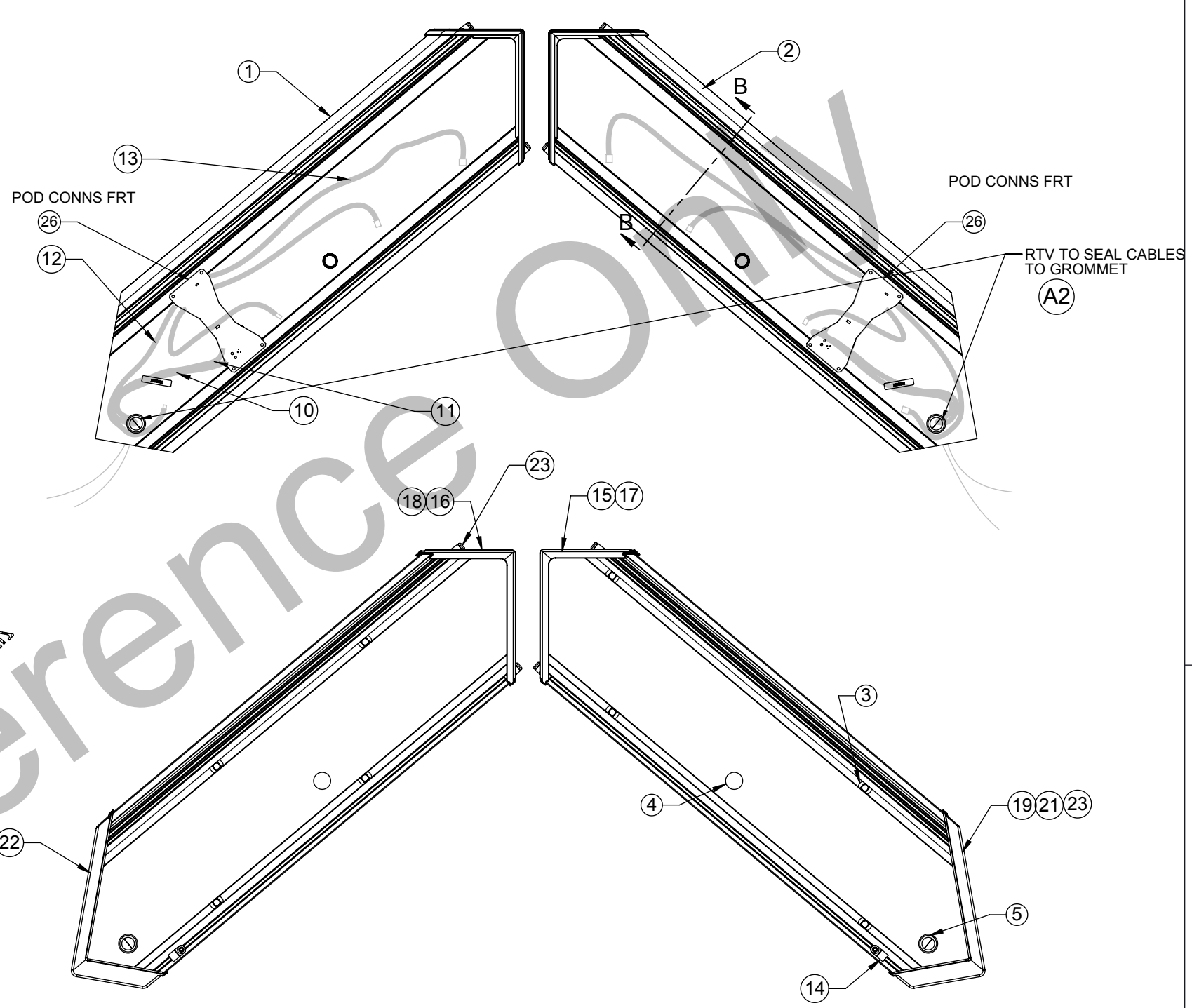
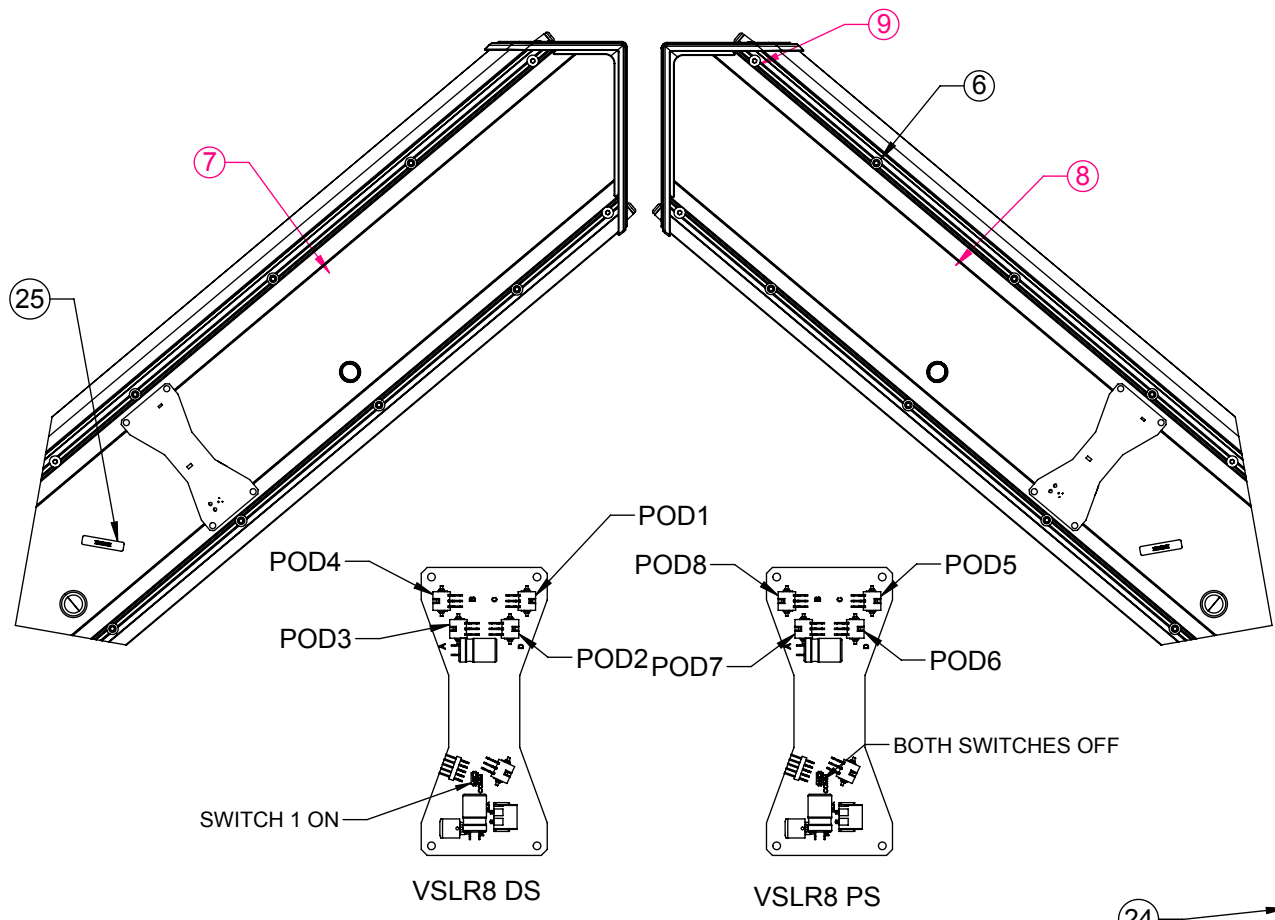
 2645 FEDERAL SIGNAL DRIVE UNIVERSITY PARK, IL 60484	Tolerances Unless Otherwise Specified IN[mm] -----±0.5° Angles -----±0.015[±0.4] x.xx[x.x] -----±0.005[±0.12] x.xxx[x.xx] -----±0.005[±0.12]	NAME <b>FINAL ASSY,VSLR6, VSLR8 SPLIT VISION</b>	
		FINISH <b>N/A</b>	
MATERIAL <b>N/A</b>		REMOVE BURRS, SHARP CORNERS AND EDGES	
A2 SEE ECR# 2035 05/07/14 CPM A1 SEE ECR# 1974 04/21/14 CPM A REL TO PROD ECR# 12-8727 02/03/12 CPM		DRAWN BY: <b>CPM</b> CHKD. BY: <b>GRF</b> DRAWING NUMBER DATE: <b>02/03/12</b> DATE: <b>02/03/12</b> <b>8652237A</b>	

D

C

B

A



SECTION B-B

REV	ITEM NO.	QTY	PART NO.	DESCRIPTION
	1	1	8652129-08	EXTR,LH
	2	1	8652130-08	EXTR,RH
	3	8	7004A024-16	CARRIAGE BOLT,3/8-16,S.S.
	4	2	231313	PLUG,0.875 HOLE
	5	2	228134	GROMMET,SPLIT WEB
A1	6	16	70000142-08	SCR,1/4-20 TT,PAN TORX,STL.BLK ZN
	7	1	8652277	TOP PLATE, LH
	8	1	8652278	TOP PLATE, RH
	9	6	7011245-08	SCR,1/4-20 TT,FLAT,TORX,SS,BLK
	10	2	1751615-252	CABLE,PWR/GND
	11	2	1751616-252	CABLE,SIGNAL
	12	6	1751566A-12	CABLE,POD,12"
	13	2	1751566A-25	CABLE,POD,25"
	14	2	150202	CLAMP,3/8" CABLE,1/4" HOLE
	15	1	8652204-L	GASKET,INNER,LH
	16	1	8652204-R	GASKET,INNER,RH
	17	1	8652202	CAP,INNER,LH
	18	1	8652203	CAP,INNER,RH
	19	1	8652141	GASKET,OUTER,LH
	20	1	8652142	GASKET,OUTER,RH
	21	1	8652143	CAP,PLAIN,OUTER,LH
	22	1	8652144	CAP,PLAIN,OUTER,RH
	23	8	7011161-16	SCR,1/4-20 TT,PAN TORX,SS,BLK
	24	9.5'	R42-02-12	GASKET STRIP
	25	2	1613098	LABEL,SN,SERVICE
	26	2	2005742	PCBA,SPLT VSLR

SHEET: 2 OF 2  
UNITS: INCHES

<b>FEDERAL SIGNAL</b> 2645 FEDERAL SIGNAL DRIVE UNIVERSITY PARK, IL 60484	<b>SAFETY &amp; SECURITY GROUP</b>	Tolerances Unless Otherwise Specified IN[mm] ----- ±0.5° Angles ----- ±0.015[±0.4] x.xx[x.x] ----- ±0.005[±0.12] x.xxx[x.xx] ----- ±0.005[±0.12]		NAME <b>FINAL ASSY,VSLR6, VSLR8 SPLIT VISION</b>	
		MATERIAL N/A		FINISH N/A	
SEE SHEET 1		REMOVE BURRS, SHARP CORNERS AND EDGES		SCALE AT B SIZE: <b>1:8</b>	
REV. CHANGE DATE BY		DRAWN BY: <b>CPM</b> CHKD. BY: <b>GRF</b> DRAWING NUMBER DATE: <b>02/03/12</b> DATE: <b>02/03/12</b> <b>8652237A</b>		UNIT OF MEASURE <b>PC</b>	