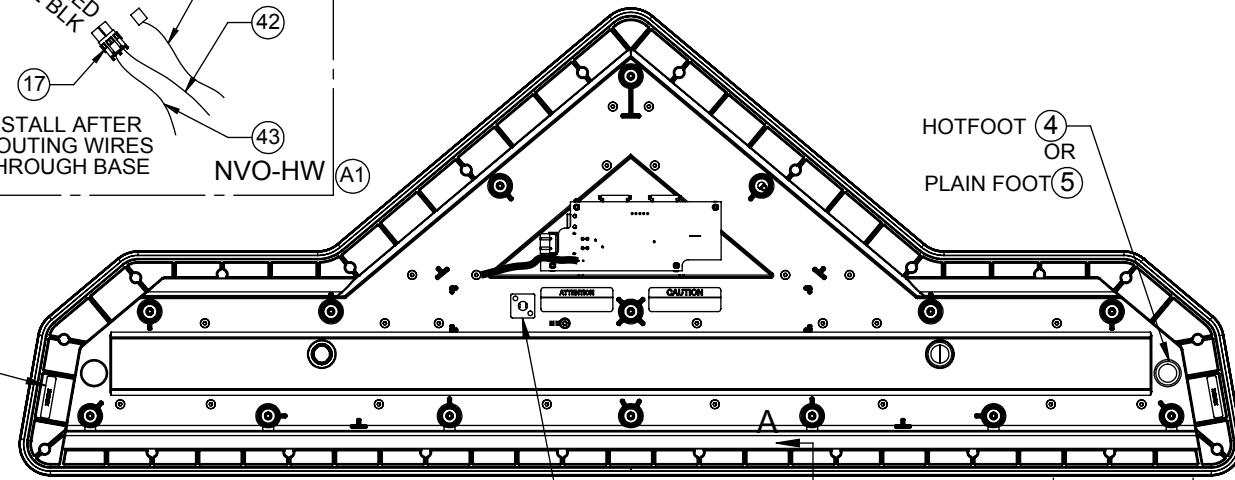
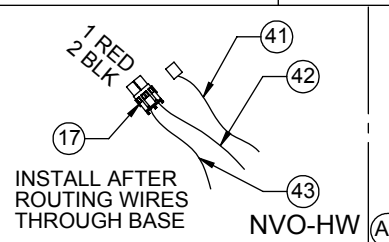
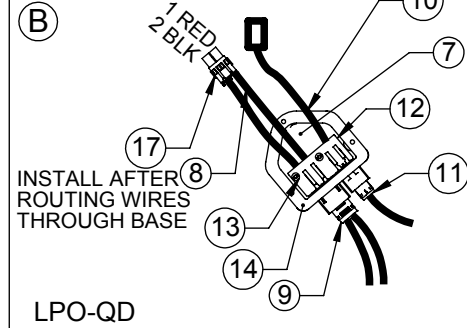
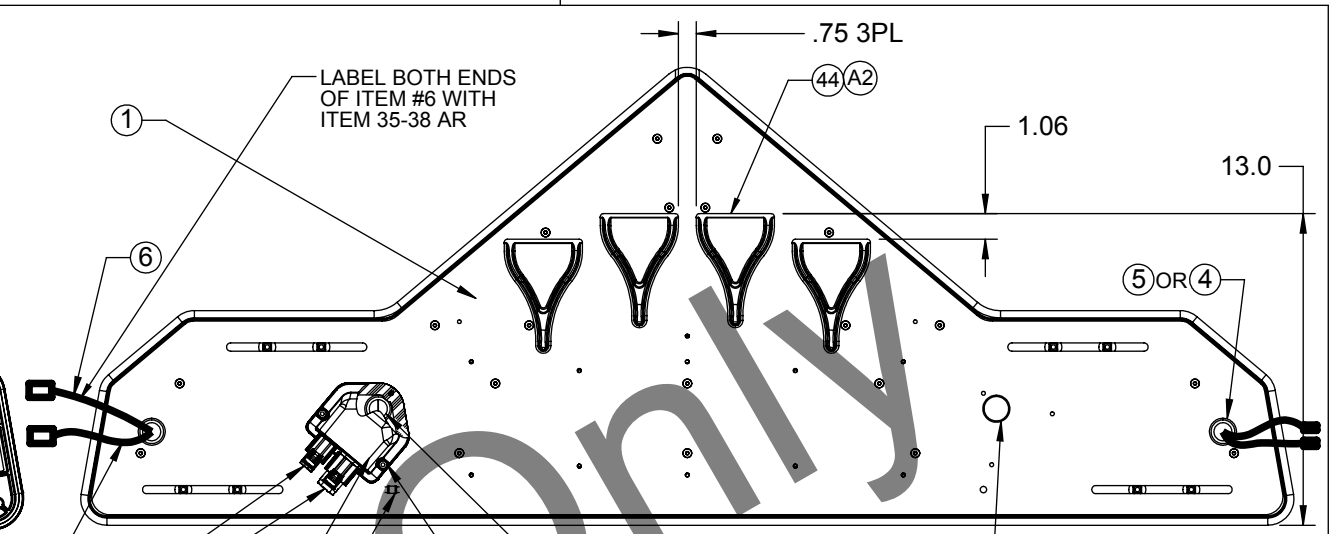


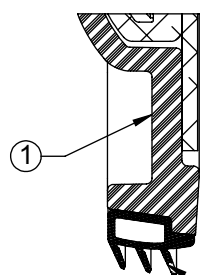
SEE SHEET 4 FOR ADDITIONAL INFORMATION



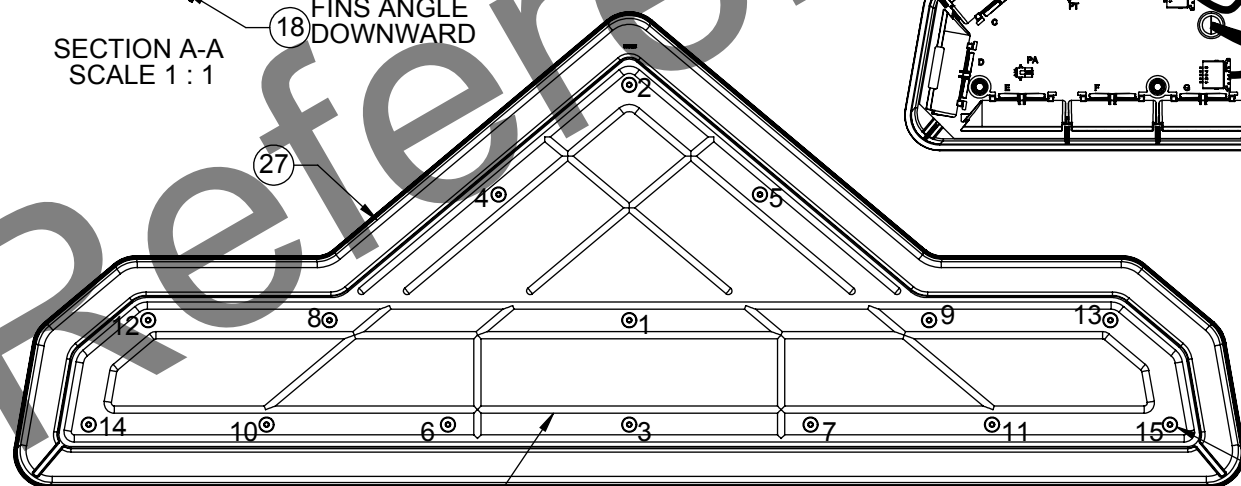
TOP VIEW
START/END SEAL HERE CUT ON ANGLE



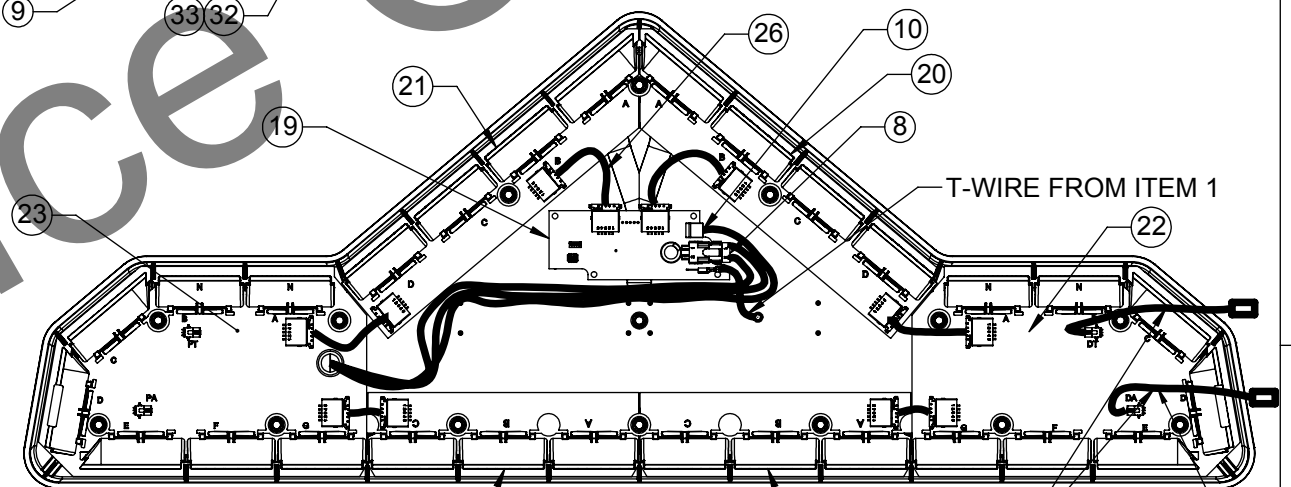
BOTTOM VIEW



SECTION A-A SCALE 1:1
FINS ANGLE DOWNWARD



TOP VIEW



BOTTOM VIEW

NUMBERS INDICATE TORQUE SEQUENCE. TORQUE 16-24 IN-LBS

REV	ITEM NO.	QTY.	PART NO.	DESCRIPTION
	1	1	8651124	BASE ASSY, LPX51
B1	2	1	231313	PLUG, .875
	3	1	228134	GROMMET, SPLIT WEB
	4	4AR	228134	GROMMET, SPLIT WEB (HOTFOOT)
B1	5	4AR	231313	PLUG, .875 (PLAIN FOOT)
	6	4AR	1751583-12	CABLE, HOTFOOT, VALR
A1	7	1	8652149	HOUSING, CONN ASSY
A1	8	1	1461854-24	HARNESS, PWR/GND, INT
A1	9	1	1461855-252	HARNESS, PWR/GND, EXT
A1	10	1	1751574-24	CABLE, COMM, INT
A1	11	1	1751575-300	CABLE, COMM, EXT
A1	12	1	8652127	RETAINER, CONN
A1	13	2	7011200-06	SCREW, #8 TYP B, TORX, PAN
A1	14	1	8652152	GASKET, CONN HOUSING
	15	1	150166	CABLE TIE MOUNT
	16	3	7058A045	NUT, 8-32 KEPS, SS
	17	1	139532-02	RECPT, 393 PTCH, MINIFIT SR
	18	1	8651116	SEAL, EXTRUDED, VALR
	19	1	2005653-xxxx	CTRLR, VALR (CONFIG)
	20	1	2005659-xxxx	PCBA, ROC, DF, VALR (CONFIG)
	21	1	2005660-xxxx	PCBA, ROC, PF, VALR (CONFIG)
	22	1	2005664-xxxx	PCBA, ROC, DE, VALR51 (CONFIG)
	23	1	2005665-xxxx	PCBA, ROC, FE, VALR51 (CONFIG)
	24	1	2005663-D-xxxx	PCBA, ROC, DR, VALR (CONFIG)
	25	1	2005663-P-xxxx	PCBA, ROC, PR, VALR (CONFIG)
	26	6	1461861-05	HARNESS, B2B, VALR
	27	1	8651103	LENS, LPX51
	28	1	8651126	GASKET, COVER, LPX51
	29	1	8651115	COVER, LPX51
	30	15	7065071	NUT, 1/4-20 BBL, PAN TORX, SS, BLK
	31	15	7067016	O-RING, 5/16ID, EPDM
	32	1	150174	CABLE TIE MOUNT, 25 HOLE
	33	1	150A146	CABLE TIE, BLACK, UV STABLE
	34	1	150A143	CABLE TIE
	35	2AR	1612318-03	LABEL, DT
	36	2AR	1612318-04	LABEL, DA
	37	2AR	1612318-05	LABEL, PT
	38	2AR	1612318-06	LABEL, PA
	39	2	1613098	LABEL, SERVICE SN, VALOR
	40	15	7072301	WASHER, NYLON, 5/16 FLAT
A1	41	1AR	1751357-02	CABLE, RS485, 25'
A1	42	1AR	T300210-02-027	T-WIRE, 276" (5/16NT:1/2NT)
A1	43	1AR	T300210-10-029	T-WIRE, 276" (5/16NT:1/2NT)
A2	44	4	865100141	AIRTAB, BLACK

SHEET: 1 OF 4
UNITS: INCHES

 FEDERAL SIGNAL 2645 FEDERAL SIGNAL DRIVE UNIVERSITY PARK, IL 60484	SAFETY & SECURITY GROUP	Tolerances Unless Otherwise Specified IN[mm] ----- ±0.5° Angles ----- ±0.015 [±0.4] x.xx[x.x] ----- ±0.005 [±0.12] x.xxx[x.xx] ----- ±0.005 [±0.12]		NAME
		FINAL ASSY, VALOR 51"		
MATERIAL B1 SEE ECR # 560 B0 SEE ECR # 12-9327 A2 SEE ECR# 12-9071 A1 SEE ECR# 11-8580 A REL FOR PROD ECR# 11-8075		FINISH N/A		SCALE AT B SIZE: 1:8
DATE: 06/27/11 CHKD. BY: GRF DATE: 06/27/11		DRAWING NUMBER 8651129B		REMOVE BURRS, SHARP CORNERS AND EDGES THIRD ANGLE PROJECTION

D

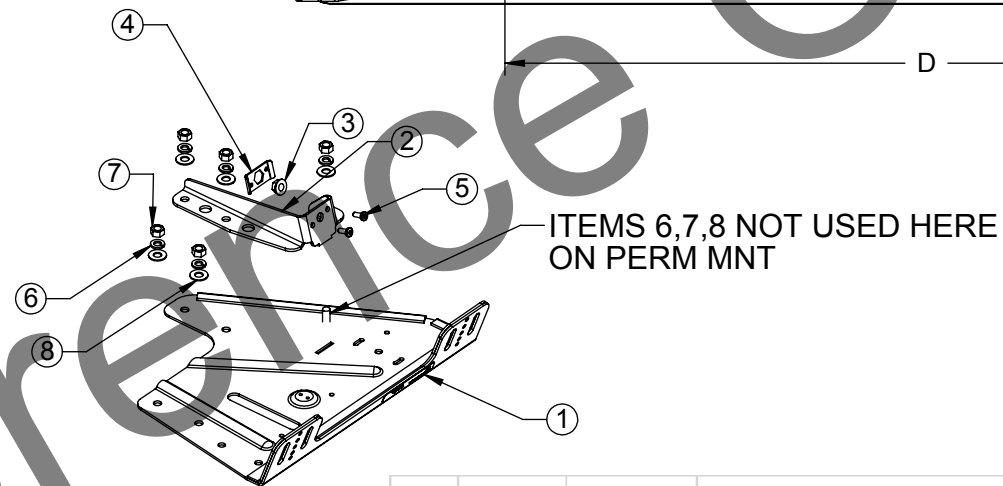
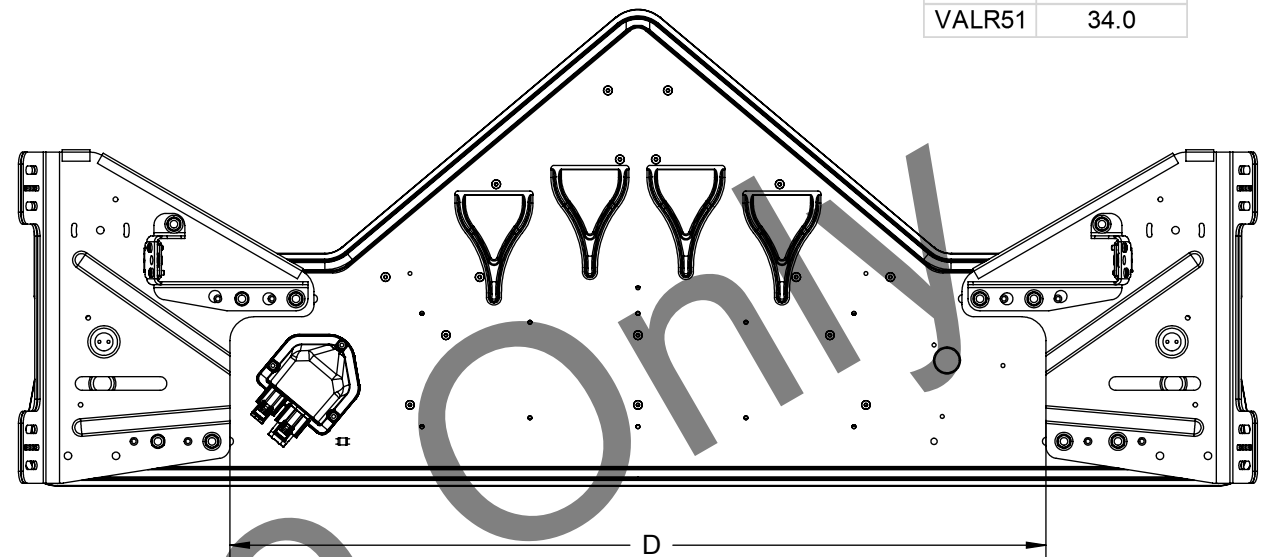
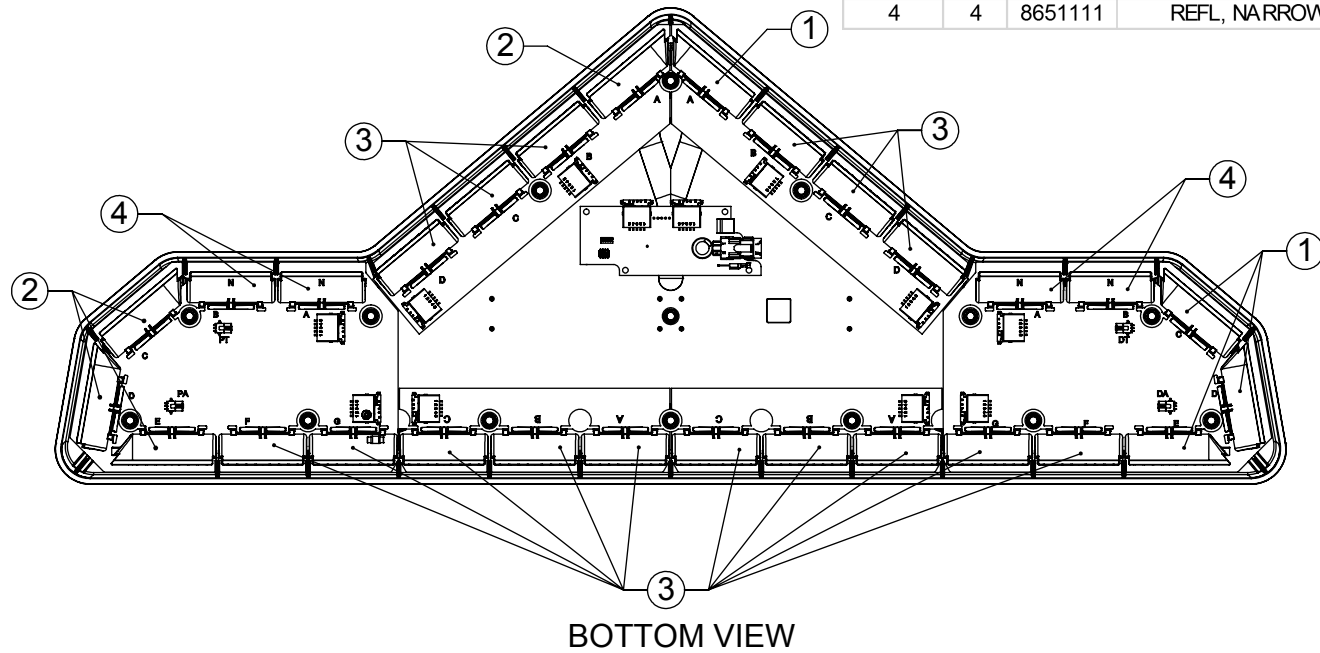
C

B

A

ITEM NO.	QTY.	PART NO.	DESCRIPTION
1	4	8651104	REFL, WIDE, ANGLED, LH
2	4	8651105	REFL, WIDE, ANGLED, RH
3	16	8651110	REFL, WIDE
4	4	8651111	REFL, NARROW

MODEL	DIM 'D'
VALR51	34.0



REV	ITEM NO.	PART NO.	DESCRIPTION	LPO-51HOOK, LPO-51HFHOOK QTY.	LPO-51PERM, LPO-51HFPERM QTY.	LPO- ^(A2) 51HFHOOK QTY.
	1	8651150	FOOT ASSY, LH MOUNTING, VALR51	1	1	--
		8651151	FOOT ASSY, RH MOUNTING, VALR51	1	1	--
A2	1	8651150-N	FOOT ASSY, NEUT LH, VALR51	--	--	1
A2		8651151-N	FOOT ASSY, NEUT RH, VALR51	--	--	1
	2	8651121	BRACKET, HOOK ATTACH, LH	1	--	1
		8651122	BRACKET, HOOK ATTACH, RH	1	--	1
	3	7065078	NUT, 5/16-18, FLANGE,HCR STL	2	--	2
	4	8583490	NUT RETAINER	2	--	2
	5	7011246-08	SCR, #10 TYP B,PAN TORX,SS,BLK	4	--	4
	6	7074A020	LKWSHR, 5/16 SPLT, SS	10	8	10
	7	7059125	NUT,5/16-18,HI-CORR.RESIST,HEX,STL	10	8	10
	8	7072A031	WASH,FLT,SS,.344X3/4X.050	10	8	10

LPO-HFxxx OPTS - SEE 8651128

SHEET: 2 OF 4
UNITS: INCHES

FEDERAL SIGNAL 2645 FEDERAL SIGNAL DRIVE UNIVERSITY PARK, IL 60484	SAFETY & SECURITY GROUP	Tolerances Unless Otherwise Specified IN[mm] -----±0.5° Angles -----±0.015[±0.4] x.xx[x.x] -----±0.005[±0.12] x.xxx[x.xx] -----±0.005[±0.12]	NAME
			FINAL ASSY,VALOR 51"
MATERIAL		N/A	
FINISH		N/A	
REMOVE BURRS, SHARP CORNERS AND EDGES		SCALE AT B SIZE: 1:8	
THIRD ANGLE PROJECTION		UNIT OF MEASURE PC	
DRAWN BY: CPM		CHKD. BY: GRF	DRAWING NUMBER
DATE: 06/27/11		DATE: 06/27/11	8651129B

D

C

B

A

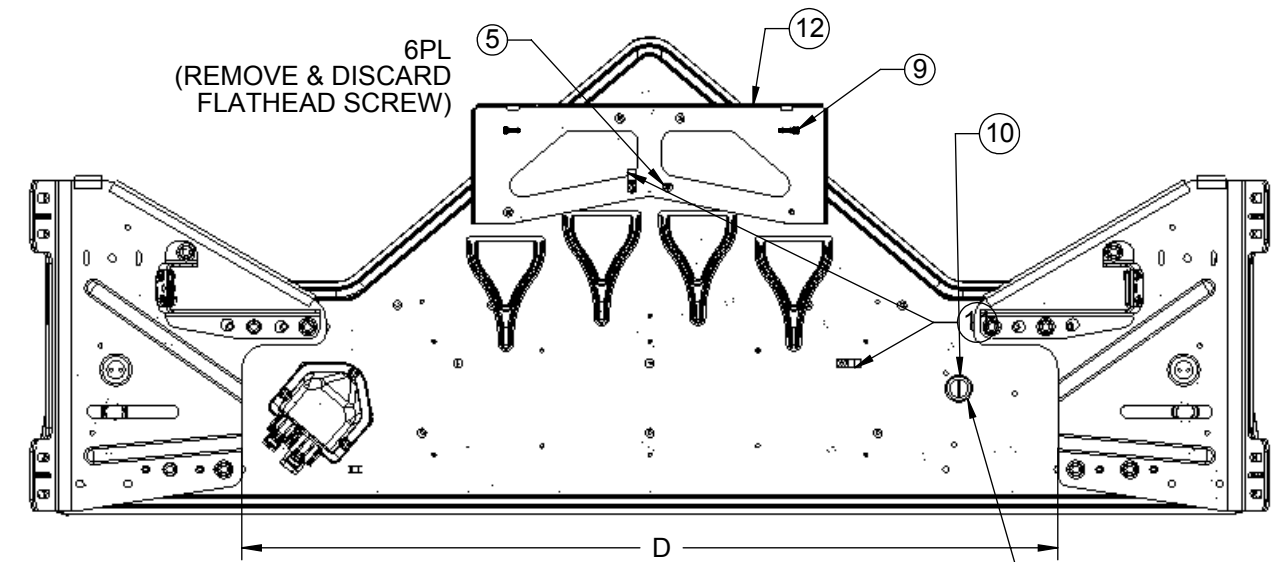
D

C

B

A

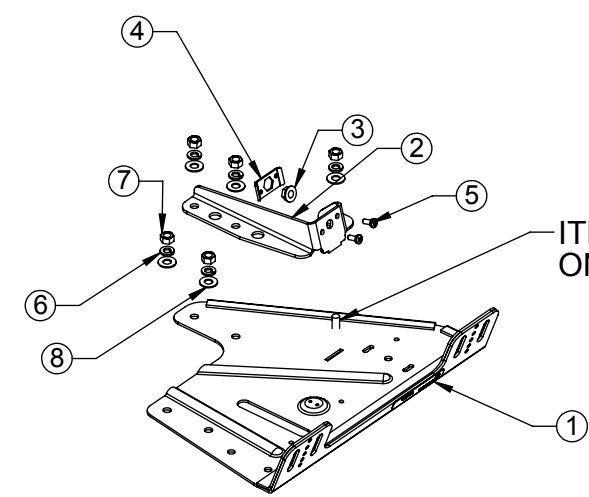
6PL
(REMOVE & DISCARD
FLATHEAD SCREW)



REV	ITEM NO.	PART NO.	DESCRIPTION	LPO-51OPHFHOOK QTY.	LPO-51OPHFPERM QTY.
	1	8651150	FOOT ASSY, LH, VALR51	1	1
		8651151	FOOT ASSY, RH, VALR51	1	1
	2	8651121	BRACKET, HOOK ATTACH, LH	1	--
		8651122	BRACKET, HOOK ATTACH, RH	1	--
	3	7065078	NUT, 5/16-18, FLANGE,HCR STL	2	--
	4	8583490	NUT RETAINER	2	--
	5	7011246-08	SCR, #10 TYP B,PAN TORX,SS,BLK	10	6
	6	7074A020	LKW SHR, 5/16 SPLT, SS	10	8
	7	7059125	NUT, 5/16-18, HI-CORR RESIST, HEX, STL	10	8
	8	7072A031	WASH, FLT, SS, .344X3/4X.050	10	8
	9	150A146	TIE WRAP, UV STABILIZED	2	2
	10	228134	GROMMET, WEB	1	1
	11	8542A028-01	CABLE CLAMP, 5/16	2	2
	12	8651144	BRKT, LH FWD MNT, OPTI FOOT	1	1
	13	R70-08-02	RTV SILICONE	0.01	0.01

2

2



ITEMS 6,7,8 NOT USED HERE
ON PERM MNT

MODEL	DIM 'D'
VALR51	34.0

13 SEAL CABLES AND
GROMMET FROM INSIDE
WITH RTV

For Reference

LPO-OPxxx OPTIONS -SEE 8651128

SHEET: 3 OF 4
UNITS: INCHES

FEDERAL SIGNAL 2645 FEDERAL SIGNAL DRIVE UNIVERSITY PARK, IL 60484	SAFETY & SECURITY GROUP	Tolerances Unless Otherwise Specified		NAME	
		IN[mm]	-----±0.5°	FINAL ASSY, VALOR 51"	
MATERIAL DESCRIBED AND INFORMATION CONVEYED IS PROPRIETARY TO FEDERAL SIGNAL CORPORATION, IS OR MAY BE THE SUBJECT OF PATENT APPLICATIONS, AND MAY NOT BE COPIED, DIVULGED TO OTHERS, OR USED FOR MANUFACTURING WITHOUT CONSENT.				FINISH	
				N/A	
				SCALE AT B SIZE: 1:8	
				THIRD ANGLE PROJECTION	
				REMOVE BURRS, SHARP CORNERS AND EDGES	
				MATERIAL	
				N/A	
				UNIT OF MEASURE	
				PC	
		SEE SHEET 1		DRAWN BY: CPM	
				CHKD. BY: GRF	
				DRAWING NUMBER	
				8651129B	
REV.		CHANGE	DATE	BY	DATE: 06/27/11
					DATE: 06/27/11

D

C

B

A

1

1

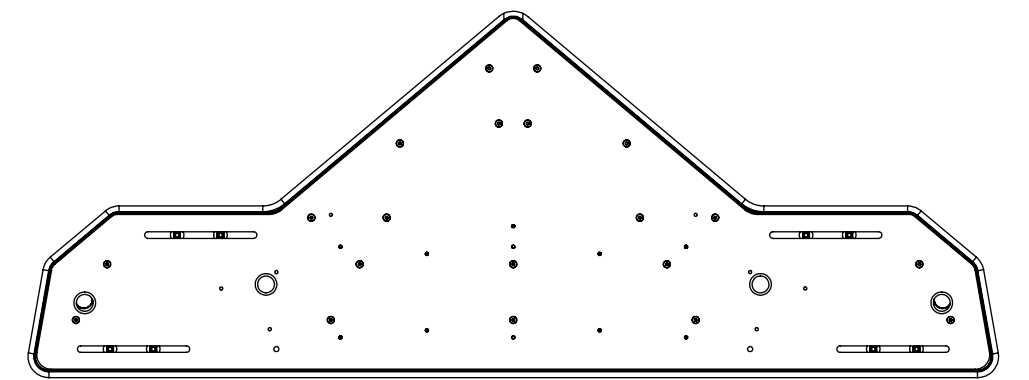
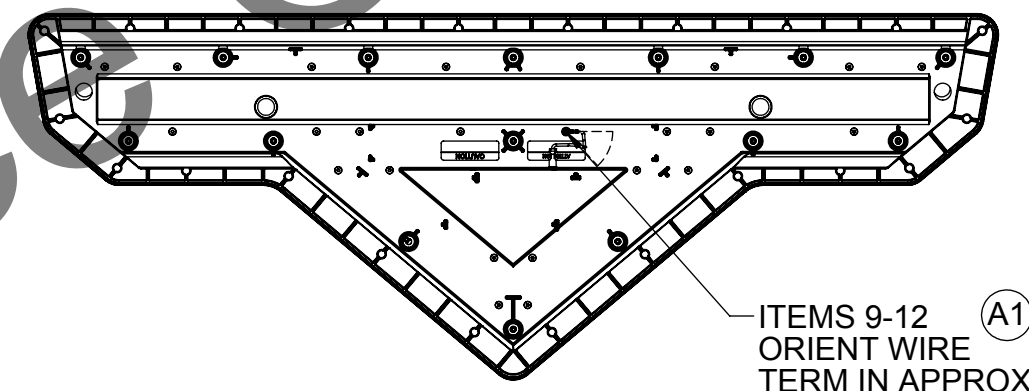
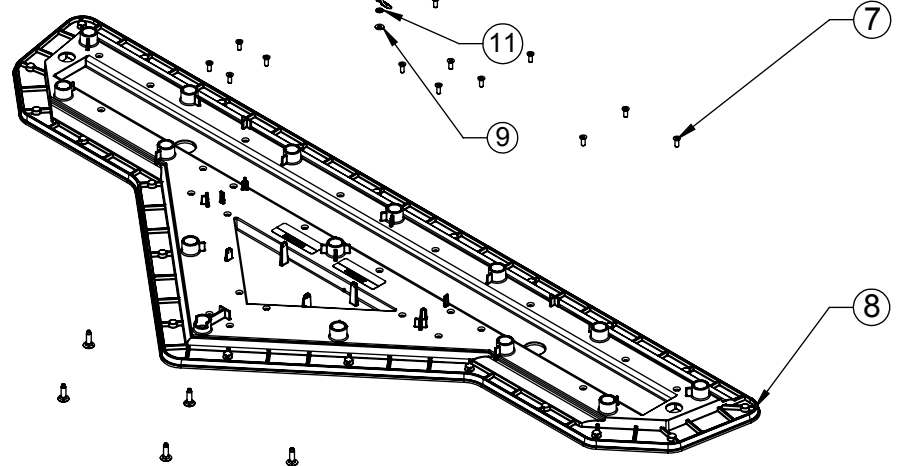
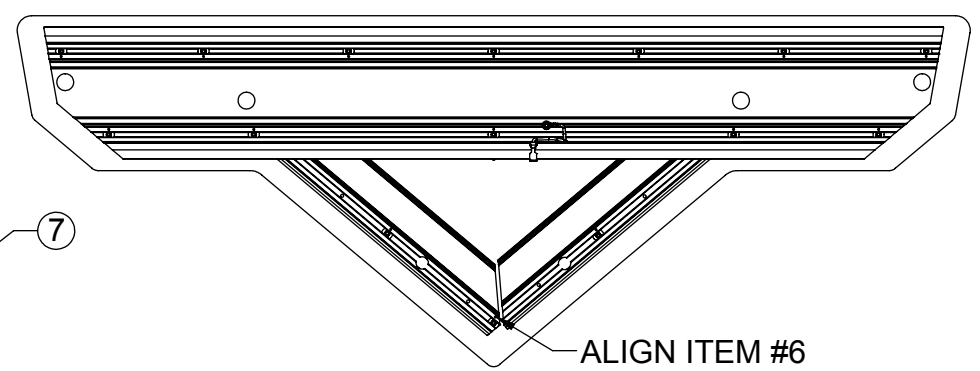
D

C

B

A

REV.	ITEM NO.	QTY.	PART NO.	DESCRIPTION
	1	1	8651109	BASEPLATE ASSY, LPVB51
	2	1	8651112-51	EXTR,MAIN,LPVB51
	3	8	7004025-16	BOLT, CRG, 5/16-18, SS
	4	1	8651113-DS	EXTR,NOSE,DS
	5	1	8651113-PS	EXTR,NOSE,PS
	6	15	7004031-14	BOLT, 1/4-20, CARR., DOGPOINT
	7	43	7011248-08	SCR, #10 TYPE B, FLT TORX, SS, BLK
	8	1	8651102	BASE, LPVB51
	9	1	7072A015	WASHER, FLAT, SS, FOR #10 SCREW
A1	10	1	T3001218-10-001	T-WIRE, 5.75" (1/4NT: 5/16NT)
	11	1	7075A072	WASHER, #10 INTERNAL TOOTH
A1	12	1	7011246-08	SCREW, #10 TYPE B, PAN TORX, SS, BLK
B	13	3	7017A010-06	STUD, 8-32, SELF CLINCHING (ONLY USED WITH LPO-QD OPTION)



2

2

1

1

PRESS STUDS INTO BASPLATE WHEN LPO-QD OPTION IS SPECIFIED (B)

For Reference

SHEET: 4 OF 4
UNITS: INCHES

FEDERAL SIGNAL 2645 FEDERAL SIGNAL DRIVE UNIVERSITY PARK, IL 60484	SAFETY & SECURITY GROUP	Tolerances Unless Otherwise Specified		NAME	
		IN[mm]	-----±0.5°	FINAL ASSY, VALOR 51"	
<small>MATERIAL DESCRIBED AND INFORMATION CONVEYED IS PROPRIETARY TO FEDERAL SIGNAL CORPORATION, IS OR MAY BE THE SUBJECT OF PATENT APPLICATIONS, AND MAY NOT BE COPIED, DIVULGED TO OTHERS, OR USED FOR MANUFACTURING WITHOUT CONSENT.</small>				FINISH	
				N/A	
				SCALE AT B SIZE:	
				1:8	
				THIRD ANGLE PROJECTION	
				REMOVE BURRS, SHARP CORNERS AND EDGES	
				MATERIAL	
				N/A	
				UNIT OF MEASURE	
				PC	
** SEE SHEET 1		**/**/**		DRAWN BY: CPM	
REV. CHANGE		DATE BY		CHKD. BY: GRF	
				DRAWING NUMBER	
				8651129B	
				DATE: 04/09/10	
				DATE: 04/09/10	

D

C

B

A