

25500079 Rev. A1 0920

Safety Message to Installers of Warning Light Equipment

⚠ WARNING

People's lives depend on your proper installation and servicing of Federal Signal products. It is important to read and follow all instructions shipped with this product and the original product. Listed below are some other important safety instructions and precautions you should follow:

- To properly install the lighting system, you must have a good understanding of automotive systems, along with proficiency in the installation and use of safety warning equipment.
- Do not install equipment or route wiring in the deployment path of an airbag.
- If a vehicle seat is temporarily removed, verify with the vehicle manufacturer if the seat needs to be recalibrated for proper airbag deployment.
- To be an effective warning device, this product produces bright light that can be hazardous to your eyesight when viewed at close range. Do not stare into the lights at close range, or permanent damage to your eyesight may occur.
- Because vehicle roof construction and driving conditions vary, Federal Signal does not recommend driving a vehicle with a magnetically mounted warning light installed. The light could fly off the vehicle, causing injury or damage. Repair of damage incurred because of ignoring this warning shall be the sole responsibility of the user.
- Frequently inspect the light system to ensure that it is operating properly and that it is securely attached to the vehicle.
- Do not attempt to activate or deactivate the lighting system while driving in a hazardous situation.
- Refer to the instructions packed with the lighting system for additional precautions and information.
- File these instructions in a safe place and refer to them when maintaining and/or reinstalling the product.

Failure to follow all safety precautions and instructions may result in property damage, serious injury, or death.

Unpacking the Kit

After unpacking the kit, inspect it for damage that may have occurred in transit. If it has been damaged, do not attempt to install or operate it. File a claim immediately with the carrier, stating the extent of the damage. Carefully check all envelopes, shipping labels, and tags before removing or destroying them. Ensure that the parts listed in Table 1 on are included in the package. If you are missing any parts, contact Customer Support at 1-800-264-3578, 7 a.m. to 5 p.m., Monday through Friday (CT).

Table 1 Kit Contents

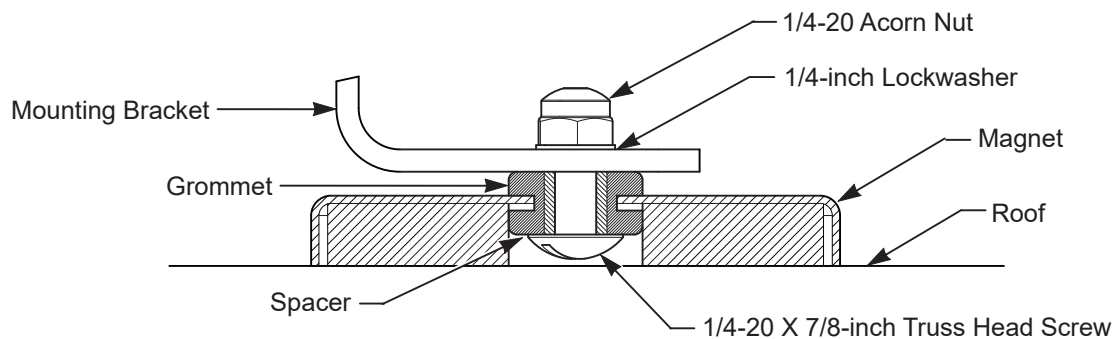
Qty.	Description
2	Bracket, Mounting
8	Bolt, Carriage 5/18-18 x 1 in, SS
8	Nut, Nylon Lock, 5/16-18
4	Screw, 1/4-20 x 7/8 in, Truss Hd., Slot
4	Nut, 1/4-20, Acorn
4	Lockwasher, 1/4 in, Int. Tooth, S.S.
4	Grommet
4	Spacer, 3/8 in
4	Magnet

Assembling the Mounting Brackets

See Figure 1. To assemble the magnets to the mounting brackets:

1. Insert a rubber grommet into the hole of each magnet.
2. Insert a 3/8-inch spacer into each grommet.
3. From the underside of the magnet, insert a 1/4-20 truss-head screw through the spacer.
4. Place the mounting bracket over the exposed threads of the 1/4-20 hex-head screw.
5. Place the 1/4-inch internal tooth lockwasher over the screw.
6. Secure the magnet to the mounting bracket with the 1/4-20 acorn nut.
7. Perform the previous steps until all four magnets are installed on the two mounting brackets.

Figure 1 Magnets secured to mounting brackets

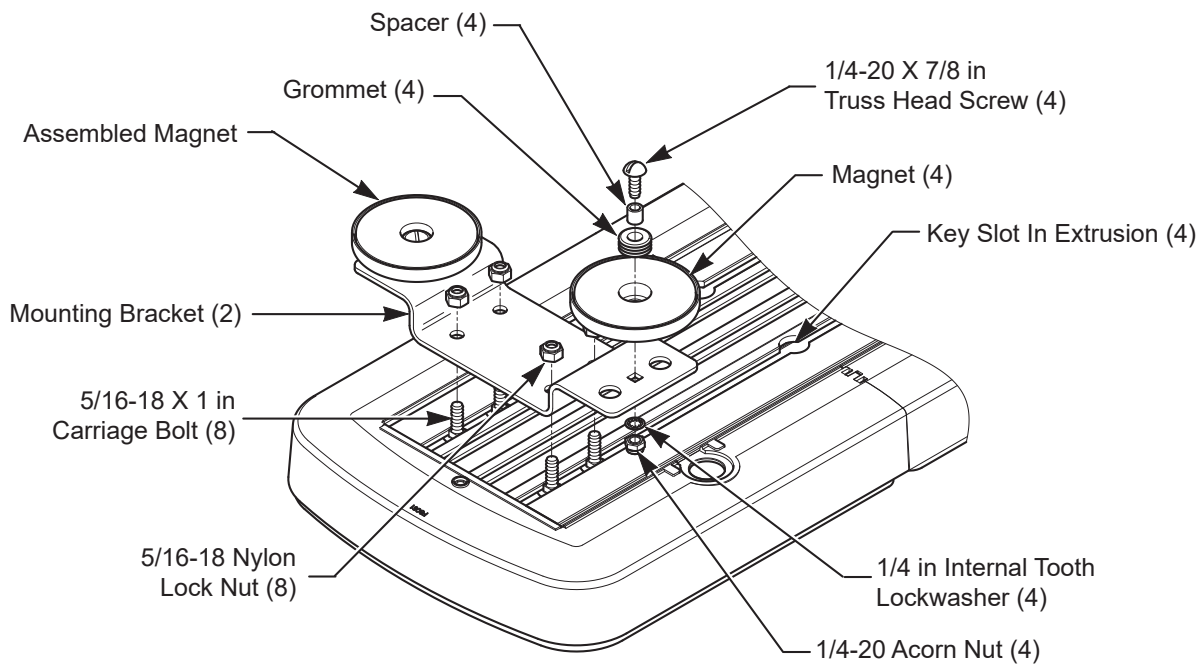


Installing the Mounting Brackets to the Light Bar

To secure the mounting brackets to the light bar:

1. To protect the domes, invert the light bar on soft rags or cardboard.
2. Slide four 5/16-inch carriage bolts for each mounting bracket assembly into the key slots in the aluminum extrusion. See Figure 2.

Figure 2 Mounting brackets secured to the 24-inch Legend®



290A7247

3. Screw the 5/16-inch hex nuts onto the 5/16-inch carriage bolts as shown in Figure 2. Secure the brackets about 1/2 inch from the ends of the extrusion.

Installing the Light Bar on the Vehicle Roof

⚠ WARNING

The holding power of magnetic mounting systems is dependent upon surface finish, surface flatness, and thickness of the steel mounting surface. Therefore, to ensure proper magnetic mounting:

- Ensure that mounting surface is flat.
- The mounting surface and magnets must be kept clean, dry, and free of foreign particles that prevent good surface contact.
- The magnetic mounting system should not be used on vehicles with vinyl tops.
- Avoid quick acceleration and hard stops to prevent sliding of the light assembly on the mounting surface.

Place the light bar assembly on the vehicle roof at the desired location. Usually the light bar should be installed approximately over the driver's head. The distance from the windshield to each end of the unit should be the same. Ensure that all fasteners are properly tightened.

Getting Technical Support

For technical support, please contact:

Federal Signal Corporation
Service Department
Phone: 1-800-433-9132
Email: empserviceinfo@fedsig.com

Getting Repair Service

The Federal Signal factory provides technical assistance with any problems that cannot be handled locally. Any product returned to Federal Signal for service, inspection, or repair must be accompanied by a Return Material Authorization (RMA). Obtain a RMA from a local Distributor or Manufacturer's Representative. Provide a brief explanation of the service requested or the nature of the malfunction.

Address all communications and shipments to the following:

Federal Signal Corporation
Service Department
2645 Federal Signal Dr.
University Park, IL 60484-3167

Limited Warranty

This product is subject to and covered by a limited warranty, a copy of which can be found at www.fedsig.com/SSG-Warranty. A copy of this limited warranty can also be obtained by written request to Federal Signal Corporation, 2645 Federal Signal Drive, University Park, IL 60484, email to info@fedsig.com or call +1 708-534-3400.

This limited warranty is in lieu of all other warranties, express or implied, contractual or statutory, including, but not limited to the warranty of merchantability, warranty of fitness for a particular purpose and any warranty against failure of its essential purpose.



FEDERAL SIGNAL
Safety and Security Systems

2645 Federal Signal Drive
University Park, Illinois 60484-3167

www.fedsig.com

Customer Support

Police/Fire-EMS: 800-264-3578 • +1 708 534-3400

Work Truck: 800-824-0254 • +1 708 534-3400

Technical Support: 800-433-9132 • +1 708 534-3400

© Copyright 2013-2020 Federal Signal Corporation

All trademarks are property of their respective owners.